

JET

JWBS-14Q WOODWORKING BANDSAW

JWBS-14Q.....10000855M1~230V, 50Hz

PARTS LIST

JPW (Tool) AG

Tämperlistr. 5

CH-8117 Fällanden

Switzerland

Phone +41 44 806 47 48

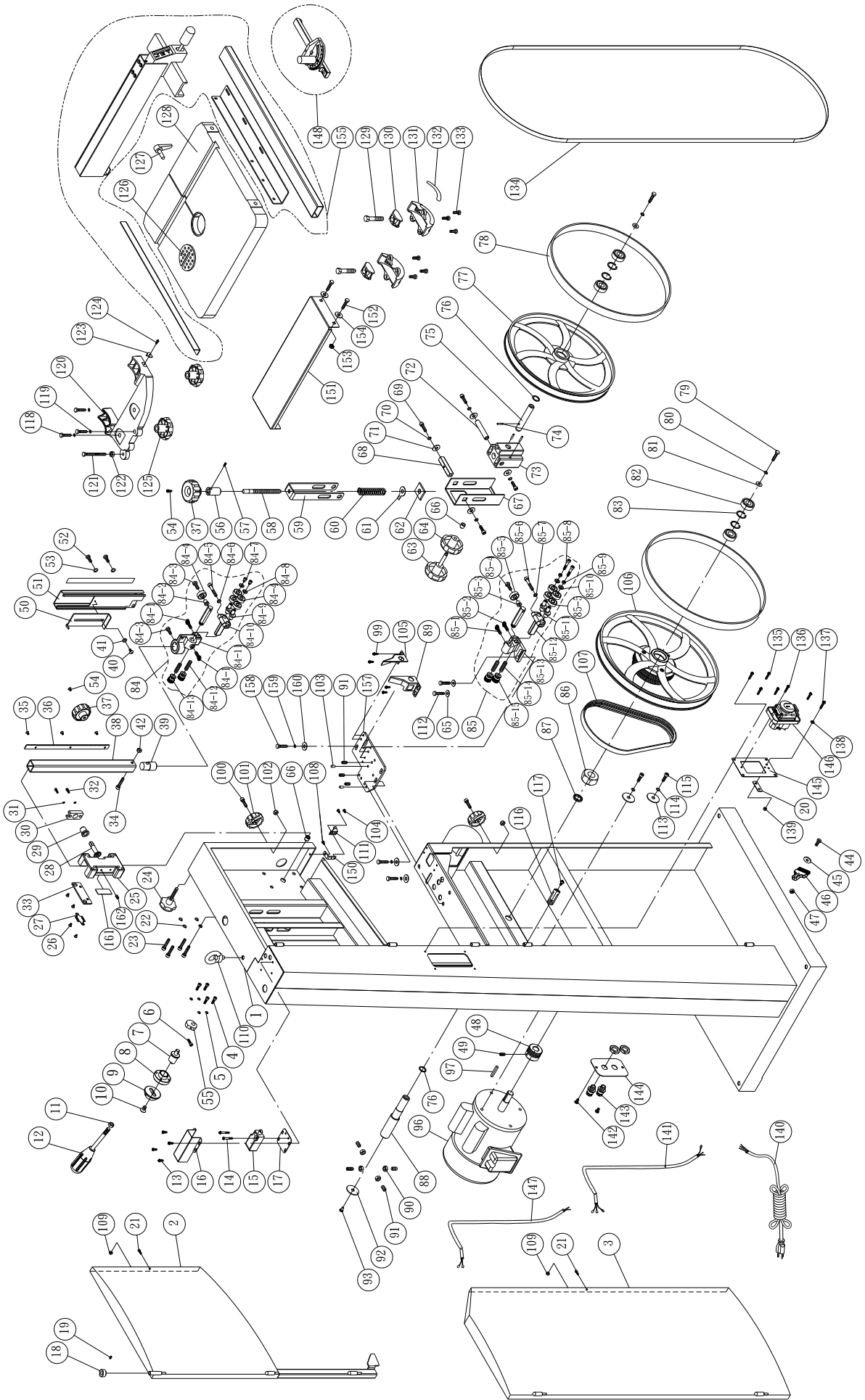
Fax +41 44 806 47 58



www.jettools.com

P-10000855M 2014-02

Breakdown for JWBS-14Q



Parts List for JWBS-14Q

Index No.	Part No.	Description	Size	Qty.
1	JWBS14Q-001	Body		1
2	JWBS14Q-002	Upper Door Ass'y		1
3	JWBS14Q-003	Lower Door Ass'y		1
4	TS-1503021	Socket Cap Bolt	M6x10	4
5	TS-2361061	Lock Washer	M6	4
6	TS-1502031	Socket Cap Bolt	M5x12	1
7	130017	Bias Shaft		1
8	130018	Bias Shaft Clamp Seat		1
9	130020	Adjust Shoes		1
10	TS-1504041	Socket Cap Bolt	M8x20	1
11	TS-1540061	Hex Nut	M8	1
12	130041	Handle		1
13	SF059200	Pan Head Bolt	M5x8	4
14	SF040700	Pan Head Bolt	M4x35	2
15	136012	Limit Switch	AZD-1112	1
16	130046	Cover		1
17	130047	Fixed Plate		1
18	136009	Switch Bushing		1
19	TS-1522011	Set Screw	M5x5	1
20	130003	Copper Coin		1
21	TS-1503021	Socket Cap Bolt	M6x10	2
22	TS-2361081	Lock Washer	M8	4
23	TS-1504041	Socket Cap Bolt	M8x20	4
24	412040	Lock Knob	M8x25	1
25	130011	Upper Support Bracket Post		1
26	TS-1501011	Socket Cap Bolt	M4x5	6
27	130032	Spring Piece		1
28	130012	Adjust Gear		1
29	135043	Bushing		1
30	130016	Gear Fixed		1
31	TS-2361061	Lock Washer	M6	2
32	TS-1503021	Socket Cap Bolt	M6x10	2
33	130053	Pad		2
34	TS-1503081	Socket Cap Bolt	M6x35	1
35	TS-1501011	Socket Cap Bolt	M4x5	3
36	130010	Gear Row		1
37	620029	Adjust Nut		2
38	130009	Guide Shaft		1
39	130025	Change Shaft		1
40	135073	Step Screw		1
41	135054	Plastic Washer	M6	1
42	TS-1541021	Nylon Lock Hex Nut	M6	1
44	TS-1482051	Hex Head Bolt	M6x25	1
45	TS-1550041	Flat Washer	M6	1
46	JWBS14Q-046	Brush		1
47	TS-1541021	Nylon Lock Hex Nut	M6	1
48	130027	Motor Pulley		1
49	TS-1523031	Set Screw	M6x10	1
50	130030	Free Board		1
51	130031	Blade Cover		1
52	TS-1482011	Hex Head Bolt	M6x8	2
53	TS-1550041	Flat Washer	M6	2
54	TS-1534032	Pan Head Bolt	M6x10	2
55	130033	Cam		1
56	130044	Fixed Ring		1
57	TS-1522011	Set Screw	M5x5	1
58	130036	Adjust Screw		1
59	130022	Support Seat		1

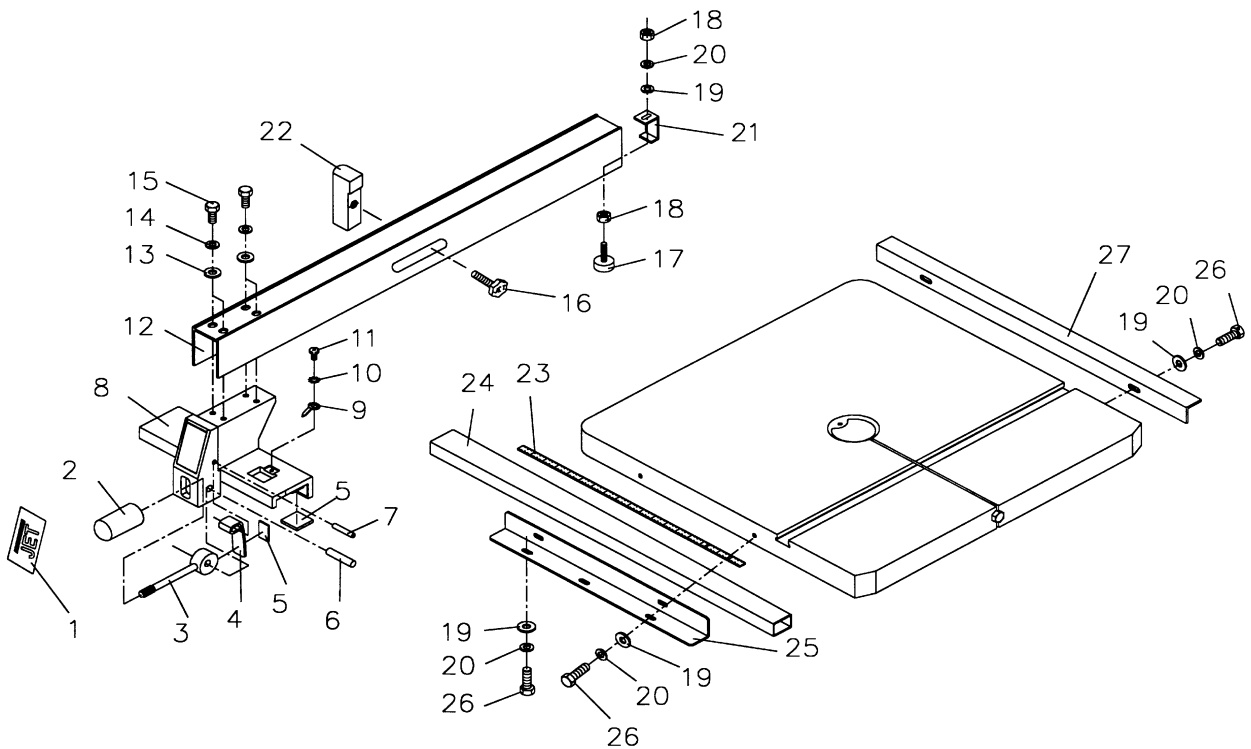
60	130048	Spring		1
61	130023	Indicator		1
62	130019	Free Nut		1
63	990654	Lock Knob	M8x45	1
64	990657	Knob Nut		1
65	TS-1550041	Flat Washer	M6	2
66	991608	Pull Nut	M8	2
67	130015	Upper Wheel Fixed Seat		1
68	130028	Free Key	12x12	1
69	TS-1504031	Socket Cap Bolt	M8x16	4
70	TS-2361081	Lock Washer	M8	4
71	WF083020	Flat Washer	M8x30	4
72	130026	Revolving Spindle		1
73	130006	Upper Wheel Jump Seat		1
74	PS053500	Spring Pin	5x35	3
75	130007	Upper Wheel Shaft		1
76	WW152203	Waves Washer		2
77	170006	Upper Wheel		1
78	150035	Wheel Tire		2
79	TS-1490021	Hex Head Bolt	M8x16	2
80	TS-2361081	Lock Washer	M8	2
81	TS-1550061	Flat Washer	M8	2
82	BB-6202ZZ	Ball Bearing	6202ZZ	4
83	RR350000	Retaining Ring	R35	4
84	JWBS14DP-4	Upper Support & Blade Guide Assembly		1
84-1	150013A	Thumb Screw	M6x16	2
84-2	PWBS14-231	Bearing Sheath		1
84-3	TS-1482041	Hex Cap Screw	M6x20	2
84-4	BB-608ZZ	Ball Bearing	608ZZ	5
84-5	TS-1502091	Socket Head Cap Screw	M5x40	1
84-6	TS-2361051	Lock Washer	M5	1
84-7	TS-1502031	Socket Head Cap Screw	M5x12	2
84-8	TS-1550031	Flat Washer	M5	2
84-9	PWBS14-240	Eccentric Shaft		2
84-10	PWBS14-239	Support Bracket		1
84-11	PWBS14-226	Upper Support Bracket		1
84-12	JWBS14DP-4-3	Socket Set Screw	M8x35	2
84-13	150010A	Adjusting Nut		2
85	JWBS14-44	Lower Support & Blade Guide Assembly		1
85-1	150014A	Thumb Screw	M6x12	1
85-2	150013A	Thumb Screw	M6x16	1
85-3	PWBS14-231	Bearing Sheath		1
85-4	TS-1482041	Hex Cap Screw	M6x20	1
85-5	BB-608ZZ	Ball Bearing	608ZZ	5
85-6	TS-1502091	Socket Head Cap Screw	M5x40	1
85-7	TS-2361051	Lock Washer	M5	1
85-8	TS-1502081	Socket Head Cap Screw	M5x35	2
85-9	TS-1540031	Hex Nut	M5	2
85-10	TS-1550031	Flat Washer	M5	2
85-11	PWBS14-240	Eccentric Shaft		2
85-12	PWBS14-239	Support Bracket		1
85-13	PWBS14-241	Lower Support Bracket		1
85-14	JWBS14DP-4-3	Socket Set Screw	M8x35	2
85-15	150010A	Adjusting Nut		2
86	TS-2310181	Hex Nut	M18	1
87	TS-2361181	Lock Washer	M18	1
88	130002	Lower Wheel Shaft		1
89	130042	Left Cover		1
90	TS-1540061	Hex Nut	M8	4
91	TS-1524051	Set Screw	M8x20	7
92	135013	Cover		1
93	SF059200	Pan Head Bolt	M5x8	1

96	PWBS14Q-096E	Motor	0.56kW, 230V	1
	PWBS14Q-096E-RC	Running Capacitor (not shown)	25µF/450VAC	1
97	KP050520	Key	5x5x20	1
99	TS-2285121	Pan Head Bolt	M5x12	4
100	TS-1503051	Socket Cap Bolt	M6x20	2
101	135041	Knob		2
102	TS-1541021	Nylon Nut	M6	2
103	150031	Pin		2
104	SF059100	Pan Head Screw	M5x6	2
105	130043	Right Cover		1
106	AB100300	Lower Wheel ASM		1
107	LJ019550	Belt	195J5	1
108	SF059200	Pan Head Screw	M5x8	1
109	TS-1540041	Hex Nut	M6	2
110	JWBS14Q-110	Ring	M10	1
111	130054	Point		1
112	TS-1482021	Hex Head Flange Bolt	M6x12	2
113	TS-1550061	Flat Washer	M8	2
114	TS-2361081	Lock Washer	M8	2
115	TS-1504041	Socket Cap Bolt	M8x20	2
116	170507	Brush		1
117	SF059200	Pan Head Bolt	M5x8	1
118	TS-1490051	Hex Head Bolt	M8x30	3
119	TS-2361081	Lock Washer	M8	3
120	130206	Trunnion Support Bracket		1
121	TS-1490151	Hex Head Bolt	M8x80	1
122	TS-1540061	Hex Nut	M8	1
123	110049	Pointer		1
124	SP059100	Pan Head Bolt	M5x6	1
125	150045	Lock Knob	M10	2
126	135010	Table Insert		1
127	130045	Table Pin		1
128	130034	Table		1
129	TS-1491081	Hex Head Bolt	M10x50	2
130	100041	Trunnion Clamp Shoes		2
131	100042	Trunuion		2
132	100051	Scale		1
133	TS-1482021	Hex Head Flange Bolt	M6x12	6
134	130024	Saw Blade	L2557Xw9.5	1
135	SF059200	Pan Head Bolt	M5x8	4
136	TS-1532032	Pan Head Bolt	M4x10	2
137	TS-1533042	Pan Head Bolt	M5x12	2
138	WE050000	Star Washer	M5	2
139	TS-1540031	Hex Nut	M5	2
140	IC130005	Power Cord		1
141	IM130001	Motor Cord		1
142	SF059200	Pan Head Bolt	M5x8	2
143	709409	Strain Relief		2
144	135056	Plate		1
145	130050W	Switch Plate		1
146	994651	Switch		1
147	IC130006	Limit Switch Cord		1
148	AB198101	Miter Guide		1
	198101	Guide Bar		1
	198102	Guide		1
	198103	Nylon Washer		1
	198104	Handle		1
	198105	Miter Gauge Body		1
	198106	Guide		1
	198107	Shaft		1
	TS-1503011	Socket Cap Bolt	M6x6	1
	SF059200	Pan Head Bolt	M5x8	1

150	130055	Fixed Board		1
151	130039W	Extend Table		1
152	TS-1482031	Hex Head Bolt	M6x16	4
153	TS-1540041	Hex Nut	M6	4
154	TS-1550041	Flat Washer	M6	4
155	JRF-14R	Rip fence assembly		1
157	130049	Fixed Plate		1
158	TS-1490031	Hex Head Bolt	M8x20	3
159	TS-2361081	Lock Washer	M8	3
160	TS-1550061	Flat Washer	M8	3
161	JWBS14-45	Wearable Pad		1
162	TS-1523011	Set Screw	M6x6	2

Parts List for JWBS-14Q

Index No.	Part No.	Description	Size	Quantity
1	JWBS14-F01	JET Plaque		1
2	JWBS18-431	Knob		1
3	JWBS18-432	Lock Handle		1
4	JWBS18-433	Lock Plate		1
5	JWBS18-434	Pad		5
6	JWBS18-435	Pin		1
7	JWBS18-436	Pin		1
8	JWBS18-430	Fence Body		1
9	JWBS18-422	Pointer		1
10	JWBS18-441	Star Washer		1
11	JWBS18-440	Screw	3/16 x 14	1
12	JWBS14-F12	Fence		1
13	JWBS18-439	Flat Washer*	5/16	4
14	TS-0720081	Lock Washer*	5/16	4
15	TS-0081031	Hex Cap Bolt*	5/16 x 3/4	4
16	JWBS14-F16	Knob*		1
17	JWBS18-444	Sliding Pad*		1
18	TS-0561011	Hex Nut*	1/4"	2
19	TS-0680021	Flat Washer*	1/4"	8
20	TS-0720071	Lock Washer*	1/4"	8
21	JWBS18-445	Rear Hook*		1
22	JWBS14-F22	Resaw Kit*		1
23	JWBS14-F23	Scale		1
24	JWBS14-F24	Guide Rail		1
25	JWBS14-F25	Front Rail		1
26	TS-1482041	Hex Cap Bolt*	M6 x 20	7
27	JWBS14-F27	Rear Rail		1



JWBS-14Q.....1000855M1~230V, 50Hz

	colour of strands	Litzenfarben	couleur des cordons
BK	black	schwarz	noir
WH	white	weiß	blanc
BU	blue	blau	bleu
YE	yellow	gelb	jaune
RD	red	rot	rouge
BN	brown	braun	brun
GY	grey	grau	gris
GNYE	green-yellow	grün-gelb	vert-jaune
OG	orange	orange	orange
VT	violet	violett	violet

	meaning of symbol	Bedeutung der Zeichen	interprétation
M	motor	Motor	moteur
S	switch	Schalter	interrupteur
C	condenser	Kondensator	condensateur
E	electronic unit	Elektronik Einheit	unité électronique
F	fuse	Sicherung	fusible
RS	reversing switch	Drehrichtungsschalter	commu. droite/gauche
CS	centrifugal switch	Fliehkraftschalter	déclencheur centrifuge
OL	overload cut-off	Überlastschuttschalter	déclencheur surcharge
LS	limit switch	Positionsendschalter	micro

