



JSJ-6 HH

Planer with Helical

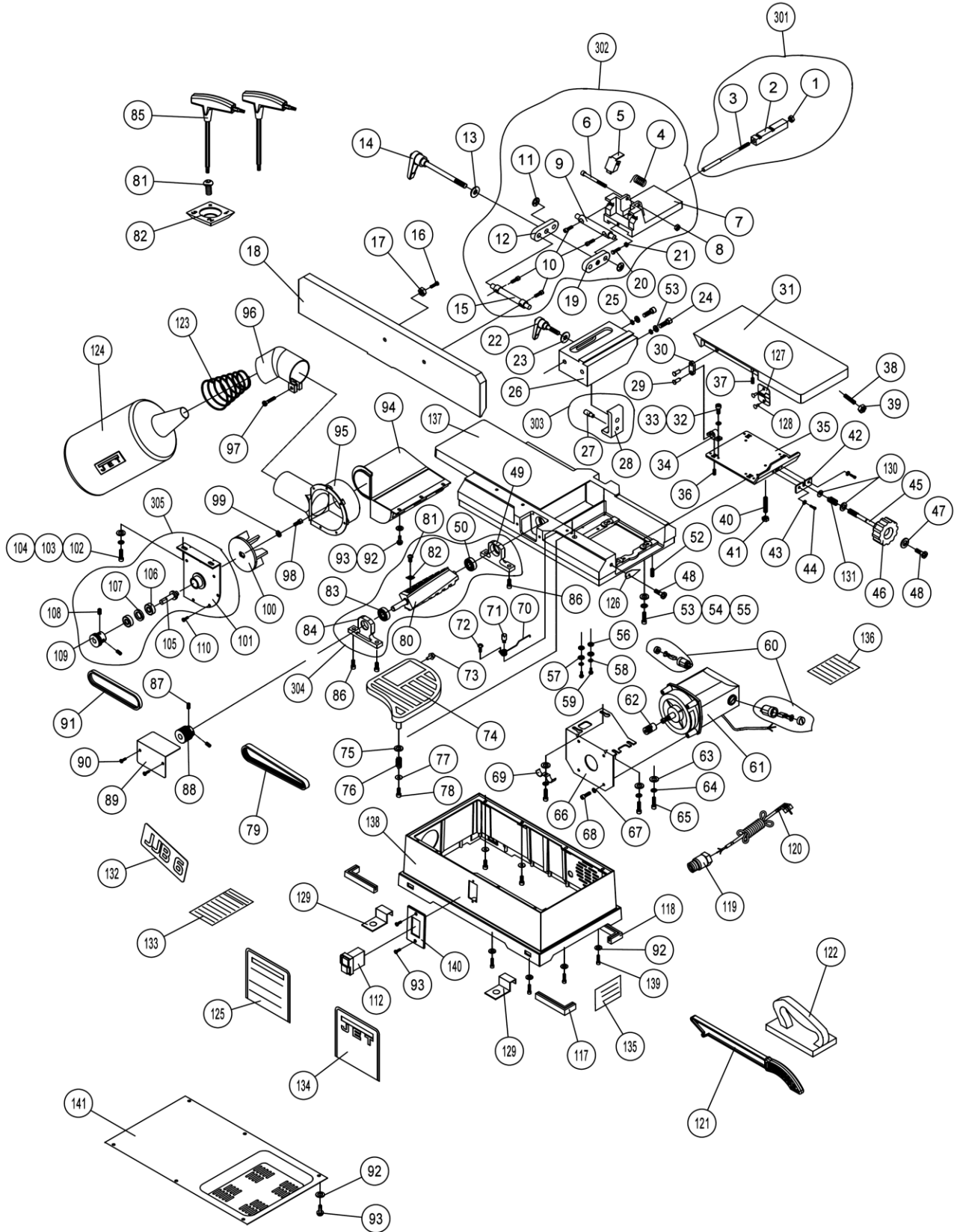
718600M ~230V 50Hz

PARTS LIST

JPW (Tool) AG
Ackerstrasse 45
CH-8610 Uster
Switzerland
www.jettools.com

P-718600M 2020-12

Parts Breakdown for JSJ-6 HH Planer with Helical



Parts List for JSJ-6 HH Planer with Helical

Index No.	Part No.	Description	Size	Qty
1	TS-2311061	Hex Nut	M6	1
2	JJ6HHBT-002	Block		1
3	JJ6HHBT-003	Shaft		1
4	JJ6HHBT-004	Spring		1
5	JJ6HHBT-005	Limit Plate		1
6	TS-1503111	Socket Head Cap Screw	M6x50	1
7	JJ6HHBT-007	Fence Bracket		1
8	TS-2311061	Hex Nut	M6	1
9	JJ6HHBT-009	Bracket Shaft		1
10	TS-1503051	Socket Head Cap Screw	M6x20	4
11	JJ6HHBT-011	Push Nut		2
12	JJ6HHBT-012	Right Link		1
13	JJ6HHBT-013	Spacer		1
14	JJ6HHBT-014	Fence Tilting Handle		1
15	JJ6HHBT-015	Plate Shaft		1
16	TS-1481061	Hex Cap Screw	M5x25	1
17	TS-2331051	Cap Nut	M5	1
18	JJ6HHBT-018	Fence		1
19	JJ6HHBT-019	Left Link		1
20	TS-1481061	Hex Cap Screw	M5x25	1
21	TS-2331051	Cap Nut	M5	1
22	JJ6HHBT-022	Fence Sliding Handle		1
23	JJ6HHBT-023	Spacer		1
24	TS-1503041	Socket Head Cap Screw	M6x16	2
25	TS-2361061	Lock Washer	6	2
26	JJ6HHBT-026	Fence Support		1
27	JJ6HHBT-027	Pin		1
28	JJ6HHBT-028	Locking Plate		1
29	JJ6HHBT-029	Pin		8
30	JJ6HHBT-030	Bracket		4
31	JJ6HHBT-031	Infeed Table		1
32	TS-1502021	Socket Head Cap Screw	M5x10	8
33	TS-2361051	Lock Washer	5mm	8
34	JJ6HHBT-034	Connection Bracket		4
35	JJ6HHBT-035	Table Support Plate		1
36	TS-1522011	Socket Set Screw	M5x6	4
37	TS-2276081	Socket Set Screw	M6x8	4
38	TS-1523071	Socket Set Screw	M6x25	1
39	TS-2311061	Hex Nut	M6	1
40	TS-1523081	Socket Set Screw	M6x35	1
41	TS-2311061	Hex Nut	M6	1
42	JJ6HHBT-042	Support Plate		1
43	JJ6HHBT-043	Lock Washer	5mm	2
44	TS-1502021	Socket Head Cap Screw	M5x10	2
45	JJ6HHBT-045	Elevation Screw		1
46	JJ6HHBT-046	Handwheel		1
47	JJ6HHBT-047	Flat Washer	5mm	1
48	TS-1533032	Pan Head Machine Phillips Screw	M5x10	2
49	JJ6HHBT-049	Bearing Housing		1
50	BB-6201ZZ	Ball Bearing	6201-2Z	1
52	TS-1523051	Socket Set Screw	M6x16	4
53	TS-1550041	Flat Washer	6mm	6

Index No.	Part No.	Description	Size	Qty
54	TS-2361061	Lock Washer	6mm	4
55	TS-1503071	Socket Head Cap Screw	M6x30	4
56	JJ6HHBT-056	Serrated Washer	5mm	2
57	TS-1550031	Flat Washer	5mm	2
58	TS-2361051	Lock Washer	5mm	2
59	TS-1533032	Pan Head Machine Phillips Screw	M5x10	2
60	JJ6HHBT-060	Motor Brush		2
61	JSJ6HH-061EU	Motor	230V 1.5kW	1
62	JJ6HHBT-062	Motor Pulley		1
63	TS-1550041	Flat Washer	6mm	4
64	TS-2361061	Lock Washer	6mm	4
65	TS-1503031	Socket Head Cap Screw	M6x12	4
66	JJ6HHBT-066	Motor Support		1
67	TS-2361051	Lock Washer	5mm	4
68	TS-1503071	Socket Head Cap Screw	M5x10	4
69	JJ6HHBT-069	Cord Clamp		1
70	JJ6HHBT-070	Spring		1
71	JJ6HHBT-071	Pin		1
72	TS-1533032	Pan Head Machine Phillips Screw	M5x10	1
73	JJ6HHBT-073	Bumper		1
74	JJ6HHBT-074	Blade Guard		1
75	JJ6HHBT-075	Bushing		1
76	JJ6HHBT-076	Spring		1
77	TS-1550031	Flat Washer	5mm	1
78	TS-1503071	Socket Head Cap Screw	M5x10	1
79	JJ6HHBT-079	Drive Belt	5PJ170	1
80	JJ6HHBT-080	Cutterhead, Helical Body		1
81	JJ6HHBT-081	Knife Insert Screw		14
82	718601	Knife Inserts (sold in set of 5; includes #81 screws)		14
83	BB-6201ZZ	Ball Bearing	6201-ZZ	1
84	JJ6HHBT-084	Bearing Housing		1
85	JJ6HHBT-085	Star Point Screwdriver		2
86	TS-1504021	Socket Head Cap Screw	M8x12	4
87	TS-2276081	Socket Set Screw	M6x8	2
88	JJ6HHBT-088	Drive Pulley		1
89	JJ6HHBT-089	Cover		1
90	TS-1502011	Socket Head Cap Screw	M5x8	2
91	JJ6HHBT-091	Fan Belt	2PJ140	1
92	TS-1550031	Flat Washer	5mm	17
93	TS-1533032	Pan Head Machine Phillips Screw	M5x10	11
94	JJ6HHBT-094	Chip Collector		1
95	JJ6HHBT-095	Chip Exhaust		1
96	JJ6HHBT-096	Dust Chute		1
97	TS-2286252	Pan Head Machine Phillips Screw	M6x25	1
98	TS-1502021	Socket Head Cap Screw	M5x10	1
99	JJ6HHBT-099	Flat Washer	Ø15xØ5x2	1
100	JJ6HHBT-100	Fan		1
101	JJ6HHBT-101	Mounting Plate		1
102	TS-1550041	Flat Washer	6mm	2
103	TS-2361061	Lock Washer	M6	2
104	TS-1503031	Socket Head Cap Screw	M6x12	2
105	JJ6HHBT-105	Fan Shaft		1
106	BB-6000ZZ	Ball Bearing	6000-ZZ	2
107	JJ6HHBT-107	Spacer		1
108	TS-1523031	Socket Set Screw	M6x10	2
109	JJ6HHBT-109	Fan Pulley		1

Index No.	Part No.	Description	Size	Qty
110	JJ6HHBT-110	Self-Tapping Screw	ST4.2x9.5	6
112	JSJ6-112	Switch	230V	1
117	JJ6HHBT-117	Foot B		2
118	JJ6HHBT-118	Foot A		2
119	JJ6HHBT-119	Strain Relief		1
120	JSJ6HH-120EU	Power Cord		1
121	JJ6HHBT-121	Push Stick		1
122	JJ6HHBT-122	Push Block		1
123	JJ6HHBT-123	Spring		1
124	JJ6HHBT-124	Filter Bag		1
125	JSJ6HH-125EU	Woodworking Warning Label		1
126	JJ6HHBT-126	Pointer		1
127	JJ6HHBT-127	Depth Scale		1
128	JJ6HHBT-128	Rivet		2
129	JJ6HHBT-129	Mounting Bracket (set of 4)		4
130	TS-1550071	Flat Washer	10mm	2
131	JJ6HHBT-131	Spring		1
132	JJ6HHBT-132	JJB6 Model Logo with Adhesive		1
133	JJ6HHBT-133	Blade Guard Warning Label		1
134	JJ6HHBT-134	JET Logo with Adhesive	4"x4"	1
135	JSJ6HH-135EU	ID Label 230V		1
136	JSJ6HH-136EU	Motor Label	230V	1
137	JJ6HHBT-137	Body with Outfeed Table		1
138	JJ6HHBT-138	Base (Die Casting Aluminum)		1
139	TS-1502031	Socket Head Cap Screw	M5x12	8
140	JJ6HHBT-140EU	Switch Plate		1
141	JJ6HHBT-141	Cover		1
301	JJ6HHBT-301	Block Assembly (#1 thru 3)		1
302	JJ6HHBT-302	Fence Bracket Assembly (#4 thru 12, #15, #19 thru 21)		1
303	JJ6HHBT-303	Locking Plate Assembly (#27, #28)		1
304	JJ6HHBT-304	Cutterhead Helical Assembly (#80 thru 85, #49, #50)		1
305	JJ6HHBT-305	Mounting Plate Assembly (#105 thru 109, #101)		1

Note: Some parts may be listed for reference, but are only available as part of a larger assembly.

Wiring Diagram for JSJ-6 HH Planer with Helical

	colour of strands	Litzenfarben	couleur des cordons
BK	black	schwarz	noir
WH	white	weiß	blanc
BU	blue	blau	bleu
YE	yellow	gelb	jaune
RD	red	rot	rouge
BN	brown	braun	brun
GY	grey	grau	gris
GNYE	green-yellow	grün-gelb	vert-jaune
OG	orange	orange	orange
VT	violet	violett	violet

	meaning of symbol	Bedeutung der Zeichen	interprétation
M	motor	Motor	moteur
S	switch	Schalter	interrupteur
C	condenser	Kondensator	condensateur
E	electronic unit	Elektronik Einheit	unité électronique
F	fuse	Sicherung	fusible
RS	reversing switch	Drehrichtungsschalter	commu. droite/gauche
CS	centrifugal switch	Fliehkraftschalter	déclencheur centrifuge
OL	overload cut-off	Überlastschuttschalter	déclencheur surcharge
L	machine lamp	Maschinenleuchte	lampe
LS	limit switch	Positionsendschalter	micro

