



JLTS-10M
JLTS-10T

Light Table Saw

10000279M

1 ~230V 50Hz

10000279T

3~400V 50Hz

PARTS LIST

For serial no. 2020060046 and higher (10000279M)

For serial no. 2020060036 and higher (10000279T)

JPW (Tool) AG

Ackerstrasse 45,

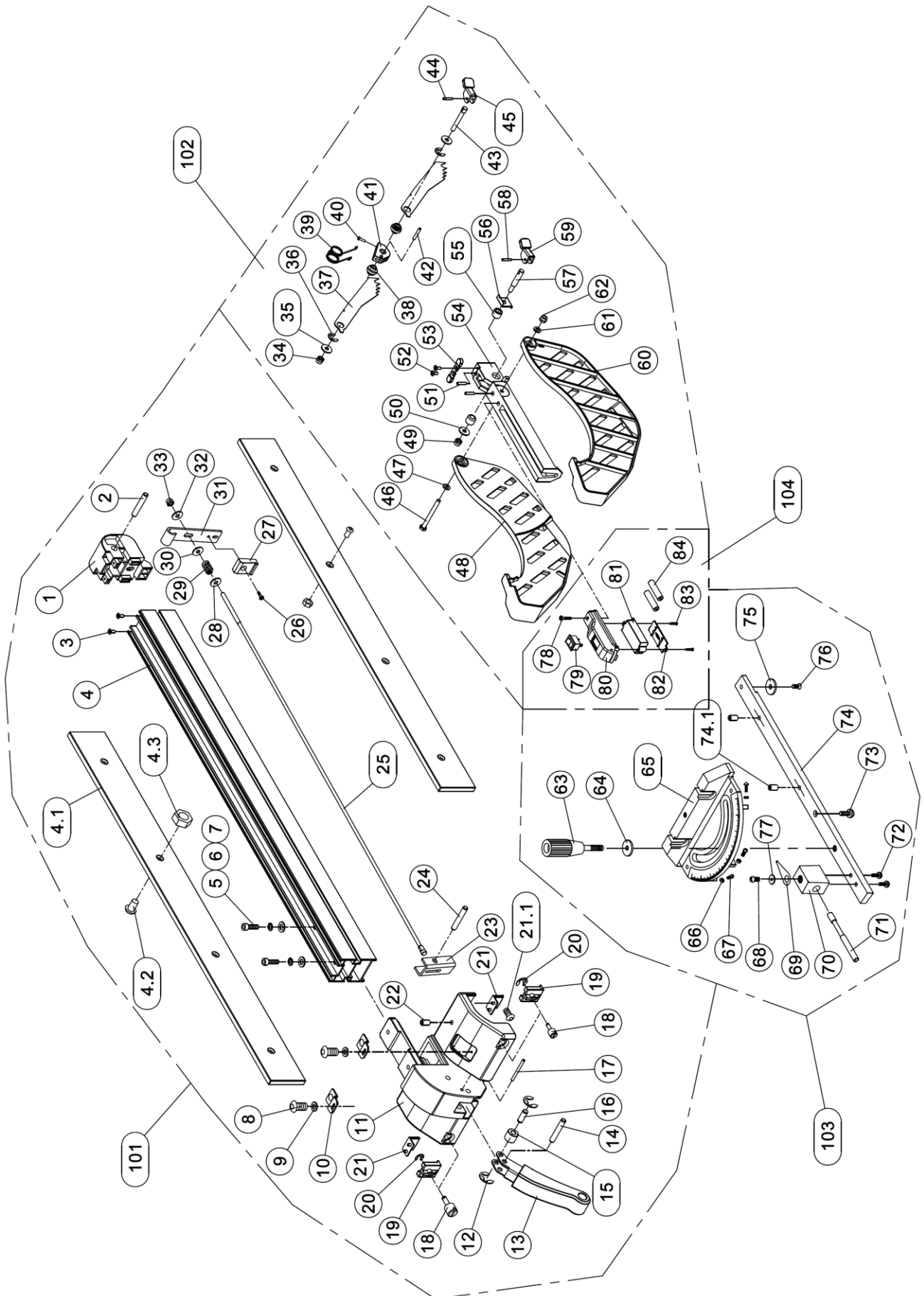
CH-8610 Uster

Switzerland

www.jettools.com

P-10000279M / T 2021-03

Parts Breakdown for JLTS-10M/T Light Table Saw-- Part A



Parts List for JLTS-10M/T Light Table Saw--Part A

Index No.	Part No.	Description	Size	Qty
1	JLTS10-A001	Fence Rear Support		1
2	JLTS10-A002	Spring Pin	Ø10x50	1
3	JLTS10-A003	Thread Forming Screw	ST3.5x13	2
4	JLTS10-A004	Fence		1
4.1	JLTS10-A004.1	Guide Plate		2
4.2	JLTS10-A004.2	Socket Pan Head Screw	M6x12	8
4.3	JLTS10-A004.3	Hex Nut	M6	8
5	JLTS10-AA005	Socket Head Bolt	M8x20	2
6	JLTS10-AA006	Lock Washer	8	2
7	JLTS10-A007	Flat Washer	8	2
8	JLTS10-A008	Socket Pan Head Screw	M4x10	2
9	JLTS10-A009	Flat Washer	4	2
10	JLTS10-A010	Pointer		2
11	JLTS10-A011	Fence Front Support		1
12	JLTS10-A012	Retaining Ring		2
13	JLTS10-A013	Locking Handle		1
14	JLTS10-A014	Spring Pin	Ø8x50	1
15	JLTS10-A015	Bushing		1
16	JLTS10-A016	Shaft		1
17	JLTS10-A017	Spring Pin	Ø5x50	1
18	JLTS10-A018	Adjusting Screw		2
19	JLTS10-A019	Adjusting Block		2
20	JLTS10-A020	Retaining Ring		2
21	JLTS10-A021	Sliding Pad		2
21.1	JLTS10-A021.1	Pan Head Screw	M4x6	2
22	JLTS10-A022	Nylon Screw		2
23	JLTS10-A023	Front Locking Plate		1
24	JLTS10-A024	Spring Pin	8x50	1
25	JLTS10-A025	Rod		1
26	JLTS10-A026	Pan Head Screw	M5x8	1
27	JLTS10-A027	Rear Locking Plate		1
28	JLTS10-A028	Flat Washer	6	1
29	JLTS10-A029	Spring		1
30	JLTS10-A030	Flat Washer	6	1
31	JLTS10-A031	Clamp		1
32	JLTS10-A032	Flat Washer	6	1
33	JLTS10-A033	Lock Nut	M6	1
34	JLTS10-A034	Lock Nut	M6	1
35	JLTS10-A035	Flat Washer	6	2
36	JLTS10-A036	Retaining Ring	9	2
37	JLTS10-A037	Kickback Pawl		2
38	JLTS10-A038	Bushing		2
39	JLTS10-A039	Spring		1

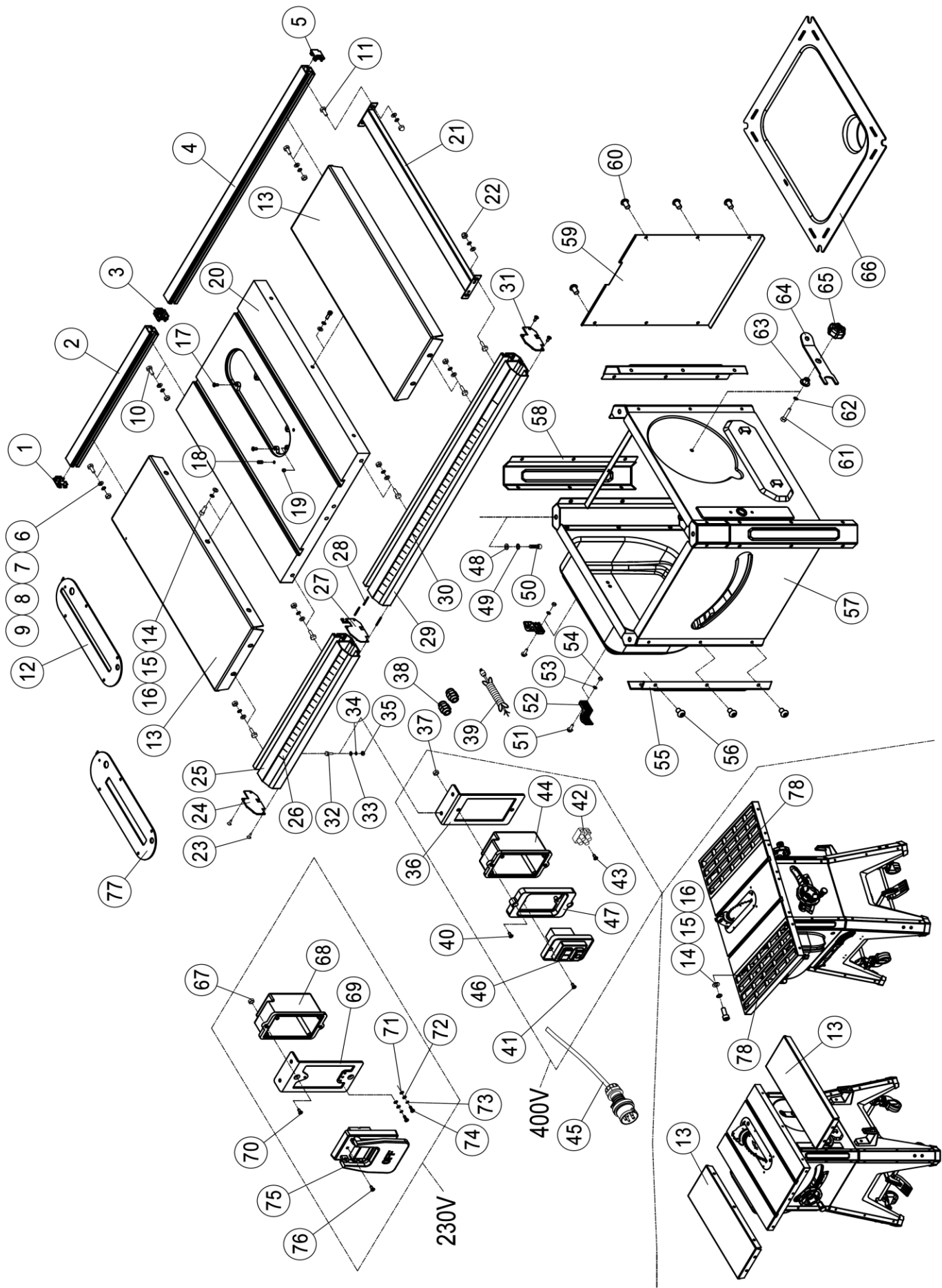
Parts List for JLTS-10M/T Light Table Saw-- Part A

Index No.	Part No.	Description	Size	Qty
40	JLTS10-A040	Pan Head Screw	M3X10	1
41	JLTS10-A041	Support Bracket		1
42	JLTS10-A042	Spring Pin	Ø4x30	1
43	JLTS10-A043	Pivot Pin		1
44	JLTS10-A044	Spring Pin	Ø4X12	1
45	JLTS10-A045	Latch		1
46	JLTS10-A046	Hex Head Bolt	M6x60	1
47	JLTS10-A047	Flat Washer	6	1
48	JLTS10-A048	Left Blade Guard		1
49	JLTS10-A049	Lock Nut	M6	1
50	JLTS10-A050	Flat Washer	6	1
51	JLTS10-A051	Set Screw	M5x20	2
52	JLTS10-A052	Flat Head Screw	M4x10	2
53	JLTS10-A053	Support Plate		1
54	JLTS10-A054	Guard Case		1
55	JLTS10-A055	Bushing		2
56	JLTS10-A056	Plate		1
57	JLTS10-A057	Pivot Pin		1
58	JLTS10-A058	Spring Pin	Ø4x12	1
59	JLTS10-A059	Latch		1
60	JLTS10-A060	Right Blade Guard		1
61	JLTS10-A061	Flat Washer	6	1
62	JLTS10-A062	Lock Nut	M6	1
63	JLTS10-A063	Knob		1
64	JLTS10-A064	Flat Washer	8	1
65	JLTS10-A065	Miter Gauge		1
66	JLTS10-A066	Hex Nut	M4	3
67	JLTS10-A067	Pan Head Screw	M4x16	3
68	JLTS10-A068	Pan Head Screw	M4x10	1
69	JLTS10-A069	Pointer		1
70	JLTS10-A070	Block		1
71	JLTS10-A071	Pin		1
72	JLTS10-A072	Pan Head Screw	M4x12	2
73	JLTS10-A073	Screw		1
74	JLTS10-A074	Bar		1
74.1	JLTS10-A074.1	Set Screw		2
75	JLTS10-A075	Washer		1
76	JLTS10-A076	Flat Head Screw	M6x8	1
77	JLTS10-A077	Flat Washer	4mm	1
78	JLTS10-A078	Pan Head Screw	M4x20	1
79	JLTS10-A079	Laser Switch		1
80	JLTS10-A080	Laser And Box Assembly		1

Parts List for JLTS-10M/T Light Table Saw—Part A

Index No.	Part No.	Description	Size	Qty
81	JLTS10-A081	Battery Box Assembly		1
82	JLTS10-A082	Battery Cover		1
83	JLTS10-A083	Thread Forming Screw		1
84	JLTS10-A084	Aaa Battery		2
101	JLTS10-A101	Fence Assembly((#1Thru 33)		1
102	JLTS10-A102	Blade Guard Assembly((#34Thru 62)		1
103	JLTS10-A103	Miter Gauge Assembly((#63Thru 77)		1
104	JLTS10-A104	Laser And Box Assembly((#78Thru 84)		1

Parts Breakdown for JLTS-10M/T Light Table Saw-- Part B



Parts List for JLTS-10M/T Light Table Saw-Part B

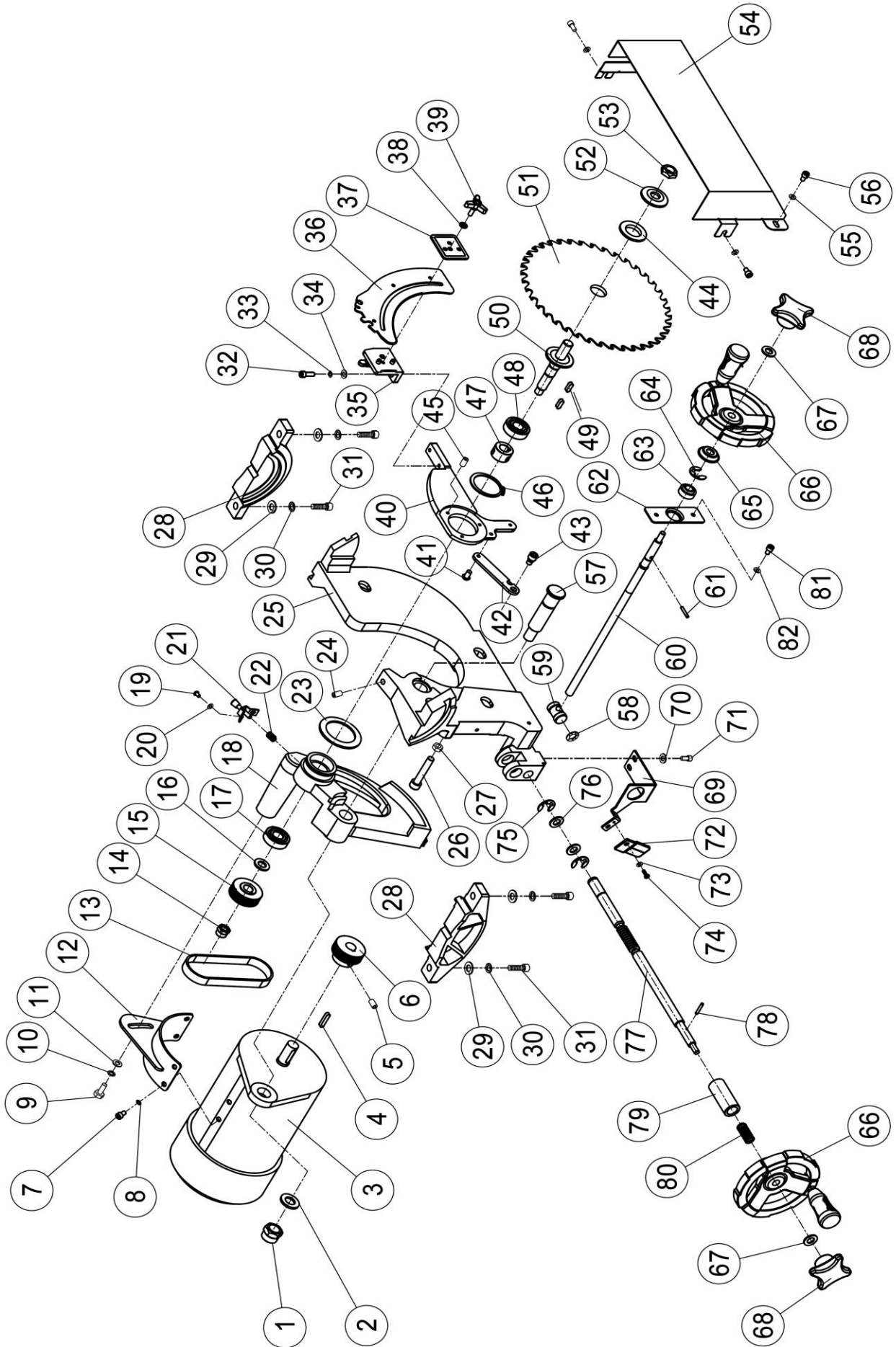
Index No.	Part No.	Description	Size	Qty
1	JLTS10-B001	Left Rear Rail Cap		1
2	JLTS10-B002	Left Rear Rail		1
3	JLTS10-B003	Rear Rail Connector		1
4	JLTS10-B004	Right Rear Rail		1
5	JLTS10-B005	Right Rear Rail Cap		1
6	JLTS10-B006	Hex Head Bolt	M8x30	8
7	JLTS10-B007	Flat Washer	8	20
8	JLTS10-B008	Lock Washer	8	20
9	JLTS10-B009	Hex Nut	M8	16
10	JLTS10-B010	Hex Head Bolt	M8x30	8
11	JLTS10-B011	Socket Head Bolt	M8x16	4
12	JLTS10-B012	Table Insert		1
13	JLTS10-B013	Table Extension		2
14	JLTS10-B014	Socket Head Bolt	M10x25	6
15	JLTS10-B015	Lock Washer	10	6
16	JLTS10-B016	Flat Washer	10	6
17	JLTS10-B017	Flat Head Screw	M5x16	4
18	JLTS10-B018	Set Screw	M8x16	2
19	JLTS10-B019	Magnet		1
20	JLTS10-B020	Table	5	1
21	JLTS10-B021	Brace		1
22	JLTS10-B022	Lock Nut		4
23	JLTS10-B023	Thread Forming Screw	ST3.5x13	6
24	JLTS10-B024	Left Front Rail Cap		1
25	JLTS10-B025	Left Front Rail		1
26	JLTS10-B026	Left Scale		1
27	JLTS10-B027	Front Partition		1
28	JLTS10-B028	Connecting Pin		3
29	JLTS10-B029	Right Front Rail		1
30	JLTS10-B030	Right Scale		1
31	JLTS10-B031	Right Front Rail Cap		1
32	JLTS10-B032	Hex Head Bolt	M6x16	2
33	JLTS10-B033	Flat Washer	6	2
34	JLTS10-B034	Lock Washer	6	2
35	JLTS10-B035	Hex Nut	M6	2
36	JLTS10-B036	Switch Mounting Plate		1
37	JLTS10-B037	Hex Nut	M5	2
38	JLTS10-B038	Strain Relief		3
39	JLTS10-B039	Power Cord With Plug for 230V		1
40	JLTS10-B040	Socket Pan Head Screw	M5x20	2
41	JLTS10-B041	Thread Forming Screw	ST3.5x16	2
42	JLTS10-B042	Terminal Block		1
43	JLTS10-B043	Thread Forming Screw	ST2.9x19	1

Parts List for JLTS-10M/T Light Table Saw-- Part B

Index No.	Part No.	Description	Size	Qty
44	JLTS10-B044	Switch Box		1
45	JLTS10-B045	400v Plug	P551	1
46	JLTS10-B046	Switch For 400V	KJD18(400V)	1
47	JLTS10-B047	Switch Mounting Bracket		1
48	JLTS10-B048	Flat Washer	8	4
49	JLTS10-B049	Lock Washer	8	4
50	JLTS10-B050	Socket Head Bolt	M8x20	4
51	JLTS10-B051	Socket Pan Head Screw	M6x20	2
52	JLTS10-B052	Line Cord Hook		2
53	JLTS10-B053	Flat Washer	6mm	2
54	JLTS10-B054	Hex Nut	M6	2
55	JLTS10-B055	Front Corner Cover		2
56	JLTS10-B056	Socket Pan Head Screw	M6x12	18
57	JLTS10-B057	Box Base		1
58	JLTS10-B058	Rear Corner Cover		2
59	JLTS10-B059	Rear Panel		1
60	JLTS10-B060	Socket Pan Head Screw	M6x12	6
61	JLTS10-B061	Hex Head Bolt	M8x35	1
62	JLTS10-B062	Lock Washer	8	1
63	JLTS10-B063	Support Block		1
64	JLTS10-B064	Wrench		1
65	JLTS10-B065	Knob		1
66	JLTS10-B066	Dust Chute		1
67	JLTS10-B067	Hex Nut	M5	2
68	JLTS10-B068	Switch Box		1
69	JLTS10-B069	Switch Mounting Plate		1
70	JLTS10-B070	Flat Head Screw	M5X10	2
71	JLTS10-B071	Serrated Washer	4	2
72	JLTS10-B072	Flat Washer	4	2
73	JLTS10-B073	Lock Washer	4	2
74	JLTS10-B074	Pan Head Screw	M4x8	2
75	JLTS10-B075	Switch For 230V	KJD17B(230V)	1
76	JLTS10-B076	Pan Head Screw		1
77	JLTS10-B077	Dado Table Insert		1
78*	10000112	Table Extension--- Cast iron wings		2

* Optional Accessory – see your dealer to order.

Parts Breakdown for JLTS-10M/T Light Table Saw-- Part C



Parts List for JLTS-10M/T Light Table Saw-Part C

Index No.	Part No.	Description	Size	Qty
1	JLTS10-C001	Lock Nut	M16	1
2	JLTS10-C002	16mm Flat Washer	16	1
3	JLTS10-C003M	Motor Assembly	P2=1.5kW 50Hz, 230V	1
	JLTS10-C003T	Motor Assembly	P2=1.8kW 50Hz, 400V	1
	JLTS10-C003RC	Running Capacitor (Not Shown)	40uf, 450V	1
	JLTS10-C003JB	Junction Box (Not Shown)		1
	JLTS10-C003JBC	Junction Box Cover (Not Shown)		1
	JLTS10-C003MF	Motor Fan (Not Shown)		1
	JLTS10-C003MFC	Motor Fan Cover (Not Shown)		1
4	JLTS10-C004	Key	5x5x30	1
5	JLTS10-C005	Set Screw	M6x8	1
6	JLTS10-C006	Motor Pulley		1
7	JLTS10-C007	Socket Head Bolt	M6x10	4
8	JLTS10-C008	Flat Washer	6	4
9	JLTS10-C009	Hex Head Bolt	M8x16	1
10	JLTS10-C010	Lock Washer	8	1
11	JLTS10-C011	Flat Washer	8	1
12	JLTS10-C012	Motor Support Bracket		1
13	JLTS10-C013	Belt	6PJ140	1
14	JLTS10-C014	Lock Nut	M12	1
15	JLTS10-C015	Spindle Pulley		1
16	JLTS10-C016	Spacer		1
17	JLTS10-C017	Ball Bearing	6202ZZ	1
18	JLTS10-C018	Blade And Motor Support Case		1
19	JLTS10-C019	Pan Head Screw	M5x12	2
20	JLTS10-C020	Flat Washer	5	2
21	JLTS10-C021	Blade Locking Assembly		1
22	JLTS10-C022	Spring		1
23	JLTS10-C023	Spacer		1
24	JLTS10-C024	Set Screw	M10x20	1
25	JLTS10-C025	Main Trunnion		1
26	JLTS10-C026	Socket Head Bolt	M10x40	1
27	JLTS10-C027	Hex Nut	M10	1
28	JLTS10-C028	Trunnion		2
29	JLTS10-C029	Flat Washer	10	4
30	JLTS10-C030	Lock Washer	10	4
31	JLTS10-C031	Socket Head Bolt	M10x35	4
32	JLTS10-C032	Socket Pan Head Screw	M6x20	2
33	JLTS10-C033	Lock Washer	6	2
34	JLTS10-C034	Flat Washer	6	2
35	JLTS10-C035	Riving Knife Support Assembly		1
36	JLTS10-C036	Riving Knife		1
37	JLTS10-C037	Clamp		1

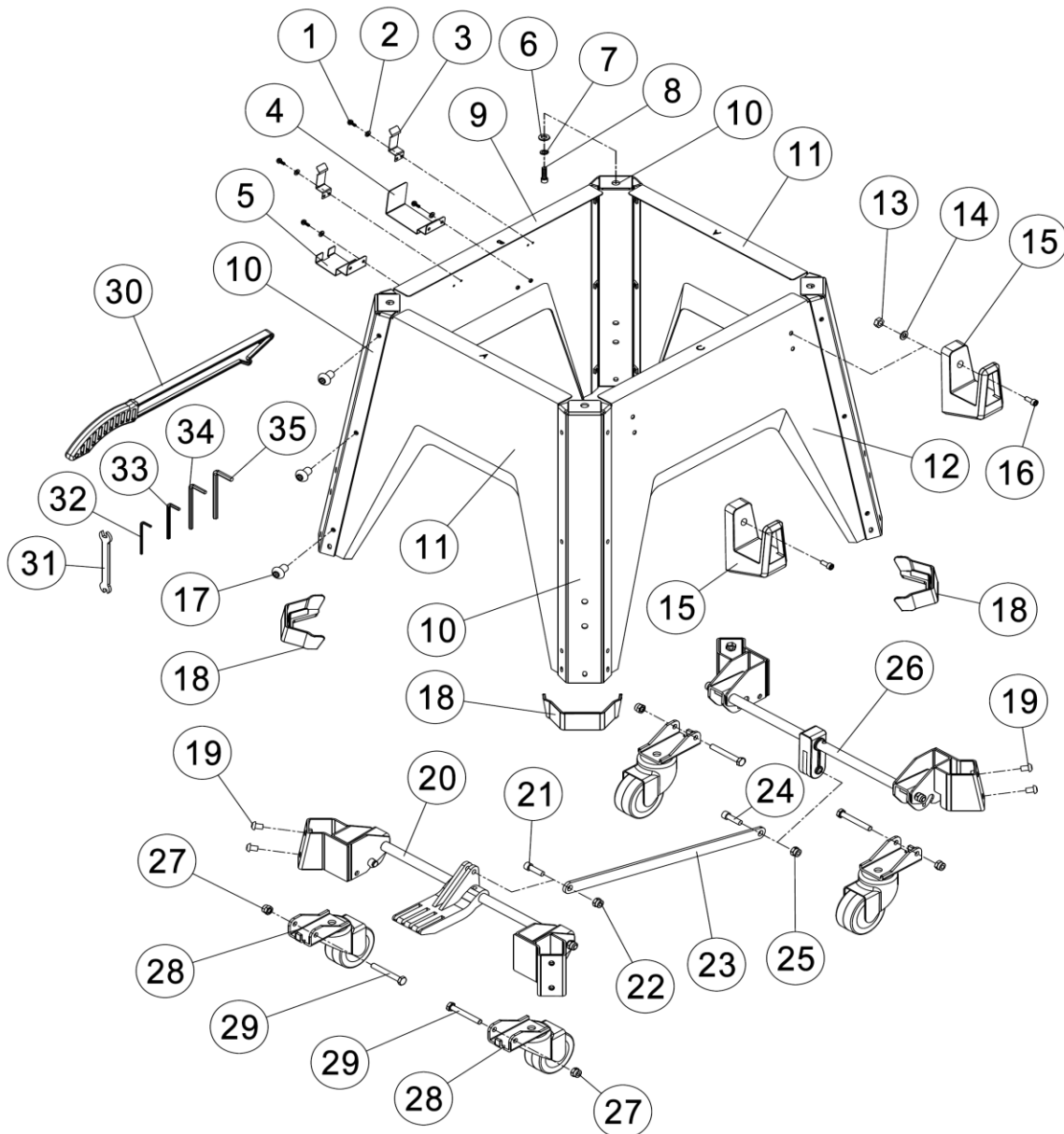
Parts List for JLTS-10M/T Light Table Saw-- Part C

Index No.	Part No.	Description	Size	Qty
38	JLTS10-C038	Flat Washer	6	1
39	JLTS10-C039	Lock Knob		1
40	JLTS10-C040	Mounting Plate		1
41	JLTS10-C041	Rivet		1
42	JLTS10-C042	Connecting Plate		1
43	JLTS10-C043	Screw		1
44	JLTS10-C044	Arbor Spacer Sleeve	Ø15.875 x Ø30 x 2.8mm	1
45	JLTS10-C045	Set Screw	M5x6	3
46	JLTS10-C046	Retaining Ring	50	1
47	JLTS10-C047	Bushing		1
48	JLTS10-C048	Ball Bearing	6203ZZ	1
49	JLTS10-C049	Key		2
50	JLTS10-C050	Arbor		1
51	JLTS10-C051A	Saw Blade	Ø254 x Ø30 x 2.8mm	1
52	JLTS10-C052	Flange		1
53	JLTS10-C053	Arbor Nut		1
54	JLTS10-C054	Lower Blade Guard		1
55	JLTS10-C055	Flat Washer	6	3
56	JLTS10-C056	Socket Head Bolt	M6x10	3
57	JLTS10-C057	Shaft		1
58	JLTS10-C058	Lock Washer	20	1
59	JLTS10-C059	Bevel Nut		1
60	JLTS10-C060	Bevel Screw		1
61	JLTS10-C061	Spring Pin	3x20	1
62	JLTS10-C062	Bearing Fixing Plate		1
63	JLTS10-C063	Bearing		1
64	JLTS10-C064	Retaining Ring		1
65	JLTS10-C065	Bevel Locking Palte		1
66	JLTS10-C066	Handwheel Assembly		2
66.1	JLTS10-C066.1	Handwheel		2
66.2	JLTS10-C066.2	Crank Lever		2
66.3	JLTS10-C066.3	Sleeve		2
66.4	JLTS10-C066.4	Flat Washer	4mm	2
66.5	JLTS10-C066.5	Spring Washer	4mm	2
66.6	JLTS10-C066.6	Pan Head Screw	M4x8	2
66.7	JLTS10-C066.7	Handle		2
67	JLTS10-C067	Flat Washer	8	2
68	JLTS10-C068	Lock Nut		2
69	JLTS10-C069	Pointer Support		1
70	JLTS10-C070	Flat Washer	6	2
71	JLTS10-C071	Socket Head Bolt	M6x10	2
72	JLTS10-C072	Angle Pointer		1
73	JLTS10-C073	Flat Washer		1

Parts List for JLTS-10M/T Light Table Saw—Part C

Index No.	Part No.	Description	Size	Qty
74	JLTS10-C074	Pan Head Screw	M4x8	1
75	JLTS10-C075	Retaining Ring	12	2
76	JLTS10-C076	Flat Washer	M16	2
77	JLTS10-C077	Elevation Shaft		1
78	JLTS10-C078	Spring Pin	3x12	1
79	JLTS10-C079	Bushing		1
80	JLTS10-C080	Spring		1
81	JLTS10-C081	Pan Head Screw	M5x12	2
82	JLTS10-C082	Flat Washer	5	2

Parts Breakdown for JLTS-10M/T Light Table Saw --Part D



Parts List for JLTS-10M/T Light Table Saw-Part D

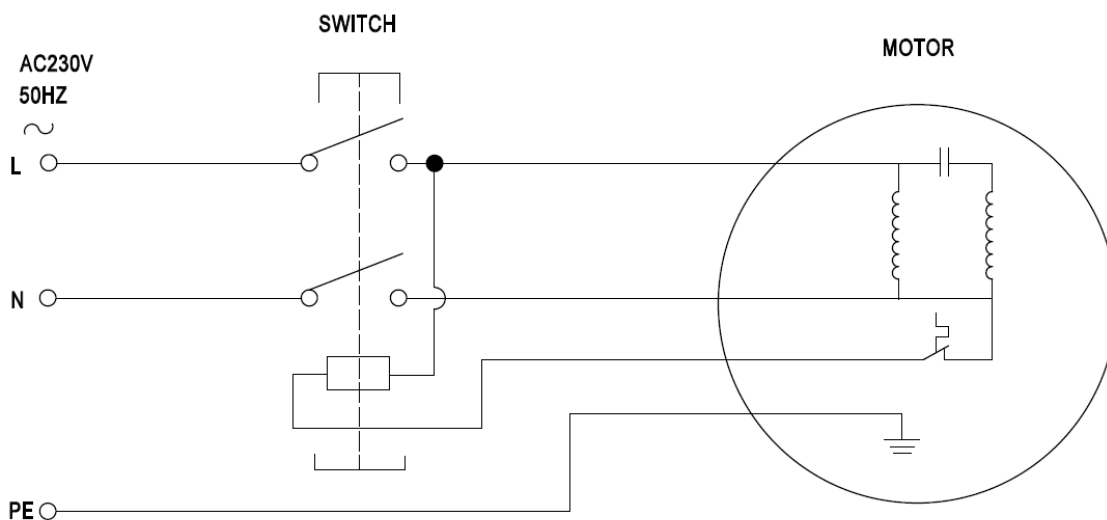
Index No.	Part No.	Description	Size	Qty
1	JLTS10-D001	Pan Head Screw	M4x8	8
2	JLTS10-D002	Flat Washer	4	8
3	JLTS10-D003	Push Stick Bracket		2
4	JLTS10-D004	Rear Blade Guard Bracket		1
5	JLTS10-D005	Front Blade Guard Bracket		1
6	JLTS10-D006	Flat Washer	10	4
7	JLTS10-D007	Lock Washer	10	4
8	JLTS10-D008	Socket Head Bolt	M10x25	4
9	JLTS10-D009	Left Base Panel		1
10	JLTS10-D010	Leg		4
11	JLTS10-D011	Front/Rear Base Panel		2
12	JLTS10-D012	Right Base Panel		1
13	JLTS10-D013	Hex Nut	M6	2
14	JLTS10-D014	Flat Washer	6	2
15	JLTS10-D015	Rip Fence Bracket		2
16	JLTS10-D016	Socket Pan Head Screw	M6x20	2
17	JLTS10-D017	Socket Pan Head Screw	M6x12	24
18	JLTS10-D018	Foot		4
19	JLTS10-D019	Socket Pan Head Screw	M8x16	8
20	JLTS10-D020	Front Caster Support Assembly		1
21	JLTS10-D021	Screw		1
22	JLTS10-D022	Lock Nut	M8	1
23	JLTS10-D023	Connecting Plate		1
24	JLTS10-D024	Screw		1
25	JLTS10-D025	Lock Nut	M8	1
26	JLTS10-D026	Rear Caster Support Assembly		1
27	JLTS10-D027	Lock Nut	M8	4
28	JLTS10-D028	Caster		4
29	JLTS10-D029	Socket Head Bolt	M8x60	4
30	JLTS10-D030	Push Stick		1
31	JLTS10-D031	Open end wrench		1
32	JLTS10-D032	4mm Hex wrench	4	1
33	JLTS10-D033	5mm Hex wrench	5	1
34	JLTS10-D034	6mm Hex wrench	6	1
35	JLTS10-D035	8mm Hex wrench	8	1
	JLTS10-WL	JET Warning Label(Not shown)		1
	JLTS10-ID	JET ID Label(Not shown)		1
	JLTS10-ML	JET Motor Label(Not shown)		1
	JET-LOGO	JET-113 LOGO (Not shown)	113x47mm	1

Wiring Diagram for JLTS-10M/T Light Table Saw

	colour of strands	Litzenfarben	couleur des cordons
BK	black	schwarz	noir
WH	white	weiß	blanc
BU	blue	blau	bleu
YE	yellow	gelb	jaune
RD	red	rot	rouge
BN	brown	braun	brun
GY	grey	grau	gris
GNYE	green-yellow	grün-gelb	vert-jaune
OG	orange	orange	orange
VT	violet	violett	violet

	meaning of symbol	Bedeutung der Zeichen	interprétation
M	motor	Motor	moteur
S	switch	Schalter	interrupteur
C	condenser	Kondensator	condensateur
E	electronic unit	Elektronik Einheit	unité électronique
F	fuse	Sicherung	fusible
RS	reversing switch	Drehrichtungsschalter	commu. droite/gauche
CS	centrifugal switch	Fliehkraftschalter	déclencheur centrifuge
OL	overload cut-off	Überlastschuttschalter	déclencheur surcharge
L	machine lamp	Maschinenleuchte	lampe
LS	limit switch	Positionsendschalter	micro

10000279M..... ~ 230V, 50Hz



10000279T..... 3~ 400V, 50Hz

