

JET

JWBS-16X WOODWORKING BANDSAW

10000150XM...230/50/1

10000150XT...400/50/3

PARTS LIST

Walter Meier (Fertigung) AG

Bahnstrasse 24

8603 Schwerzenbach

Switzerland

Phone +41 44 806 47 48

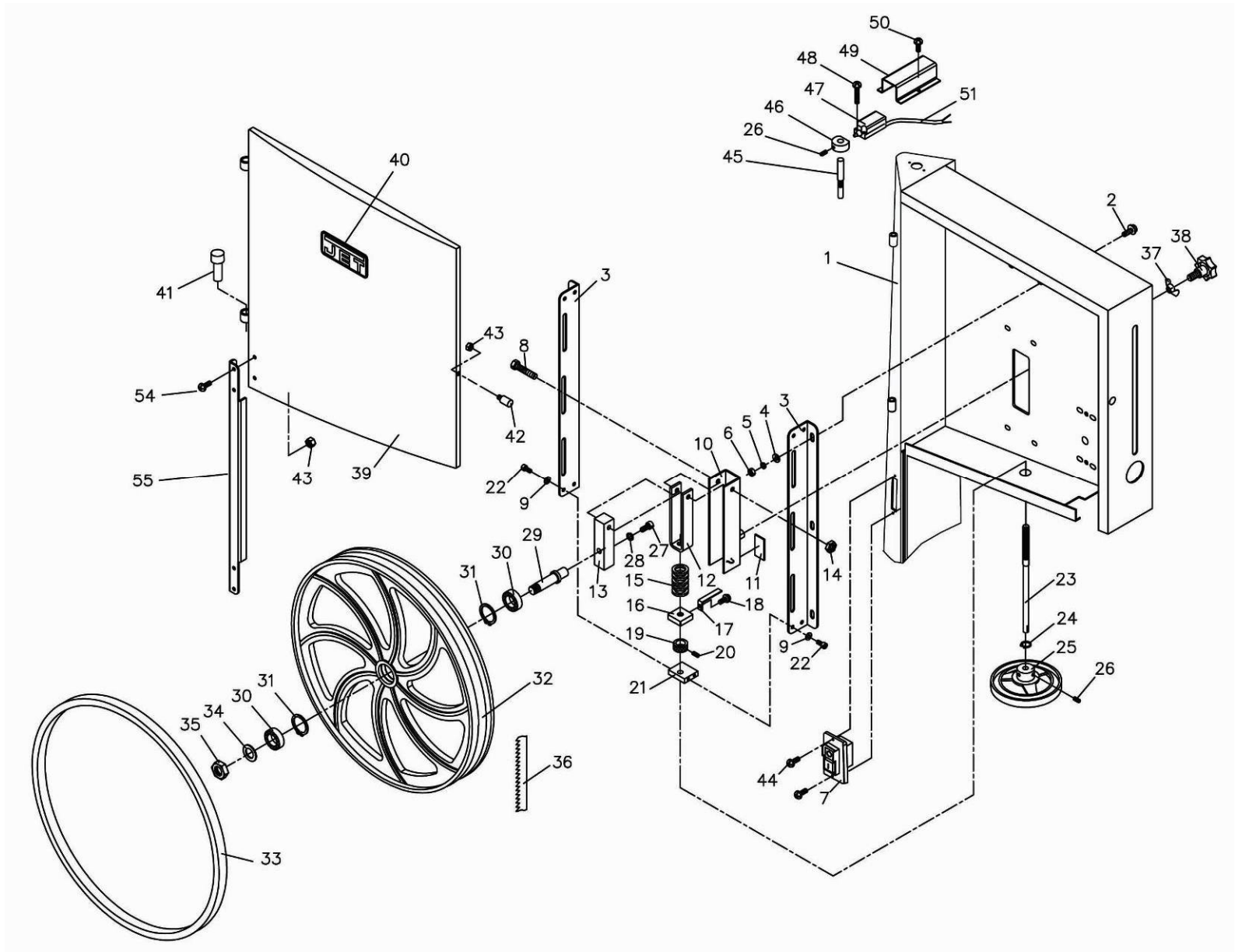
Fax +41 44 806 47 58

jetinfo.eu@waltermeier.com

www.jettools.com



P-10000150XM / 10000150XT 2009-08-28



Upper Wheel Assembly

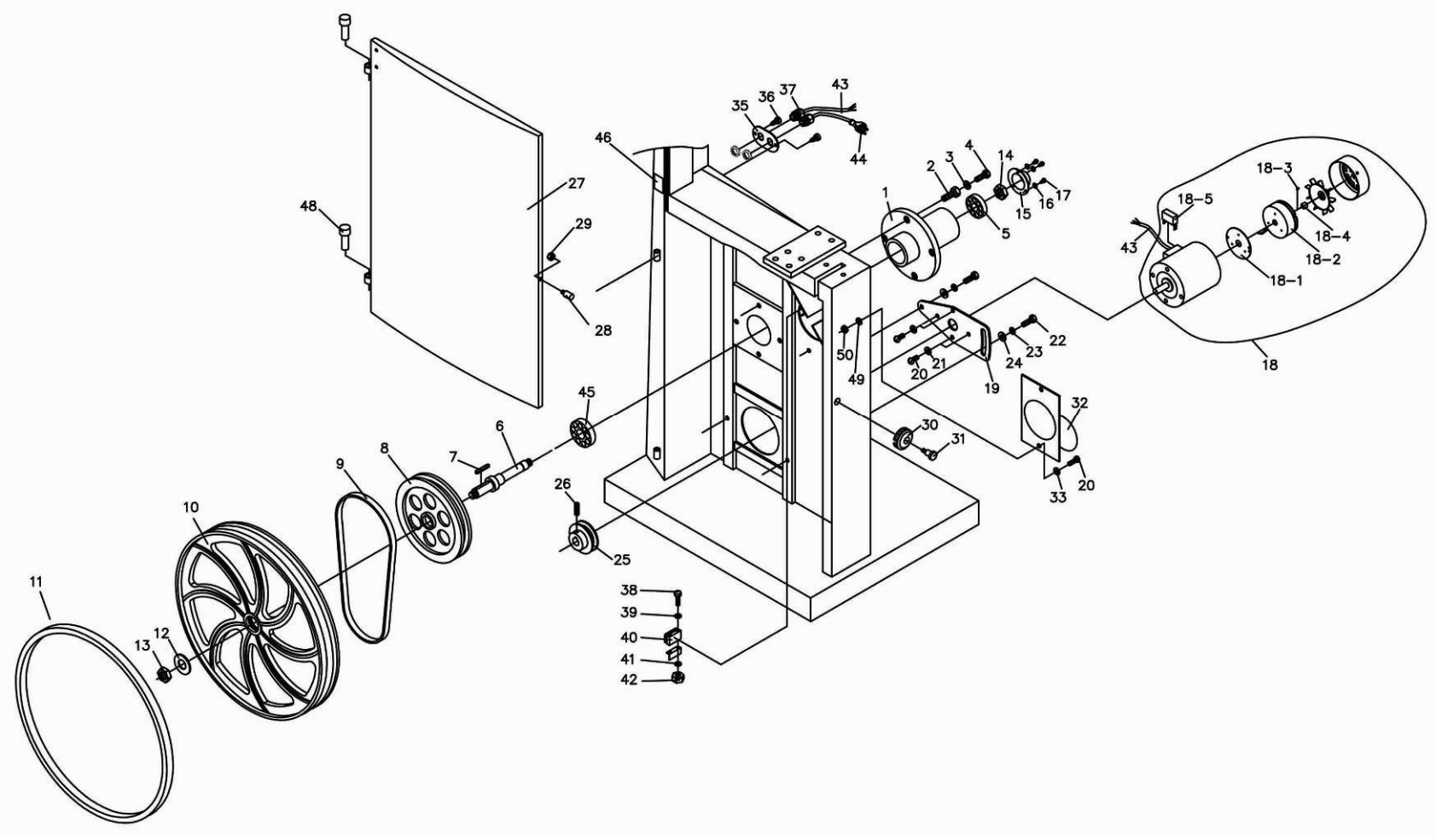
Parts List for the JWBS-16X Bandsaw

Upper Wheel Assembly

Index No.	Part No.	Description	Size	Qty.
1	JWBS16X-101AE	Saw Body		1
2	TS-0152011	Carriage Bolt	5/16-18x1	6
3	JWBS18-103	Upper Wheel Bracket		2
4	TS-0680031	Flat Washer	5/16	6
5	TS-0720081	Lock Washer	5/16	6
6	TS-0561021	Hex Nut	5/16-18	6
7	JWBS18DX-107E	Switch	1Ph	1
	JWBS18DX-107AE	Switch	3Ph	1
8	JWBS18-108	Hex Cap Bolt	M8x65	1
9	TS-0680021	Flat Washer	1/4	4
10	JWBS18-110	Sliding Bracket		1
11	JWBS18-111E	Blade Tension Indicator		1
12	JWBS18-112	Adjustment Bracket		1
13	JWBS18-113	Shaft Bracket		1
14	TS-1540061	Hex Nut	M8	1
15	JWBS18-115	Spring		1
16	JWBS18-116	Square Nut		1
17	JWBS18-117	Pointer		1
18	JWBS18-118	Screw	M5x8	1
19	JWBS18-119	Set Block		1
20	TS-0267021	Set Screw	1/4-20x1/4	1
21	JWBS18-121	Bracket		1
22	TS-0050021	Hex Cap Bolt	1/4-20x5/8	4
23	JWBS16-123	Blade Adjusting Screw		1
24	JWBS18-124	E-Ring	E-9	1
25	JWBS18-125	Hand Wheel		1
26	TS-0267041	Socket Set Screw	1/4-20x3/8	3
27	TS-0209021	Socket Head Cap Screw	3/8-16 x 5/8	1
28	TS-0720091	Lock Washer	3/8	1
29	JWBS18-129	Upper Wheel Shaft		1
30	BB-6203ZZ	Ball Bearing	6203	2
31	JWBS18-131	Retaining Ring	R40	2
32	JWBS16-132	Upper Wheel		1
33	JWBS16-133	Tire		1
34	JWBS18-134	Flat Washer		1
35	JWBS18-135	Hex Nut	5/8-18UNF L.H	1
36	JWBS16-136	Replacement Blade 3/4" x 0.032 x 3 Hook x 123"		1
37	TS-0590061	Wing Nut	5/16	1
38	JWBS18-138	Lock Knob	5/16	1
39	JWBS16X-139AE	Upper Front Door		1
40	JWBS18-140	JET Plaque		1
41	JWBS18-39A	Door Hinge Pin		1
42	JWBS18-142	Bolt		1
43	TS-0561011	Hex Nut	1/4-20	5
44	TS-081C022	Screw	#10-24X3/8	2
45	JWBS18-145E	Door Hinge Pin		1

Index No.	Part No.	Description	Size	Qty.
46	JWBS18-146E	Set Block		1
47	JWBS18DX-147E	Limited Switch		1
48	JWBS18-148E	Screw	M4x30	2
49	JWBS18-149E	Switch Cover		1
50	1480031	Screw	M4x12	2
51	JWBS18DX-151E	Switch Cord (switch to limited switch)		1
54	JWBS18-154E	Screw	1/4-20x5/8	4
55	JWBS16X-155AE	Door Plate		1

Lower Wheel and Motor Assembly

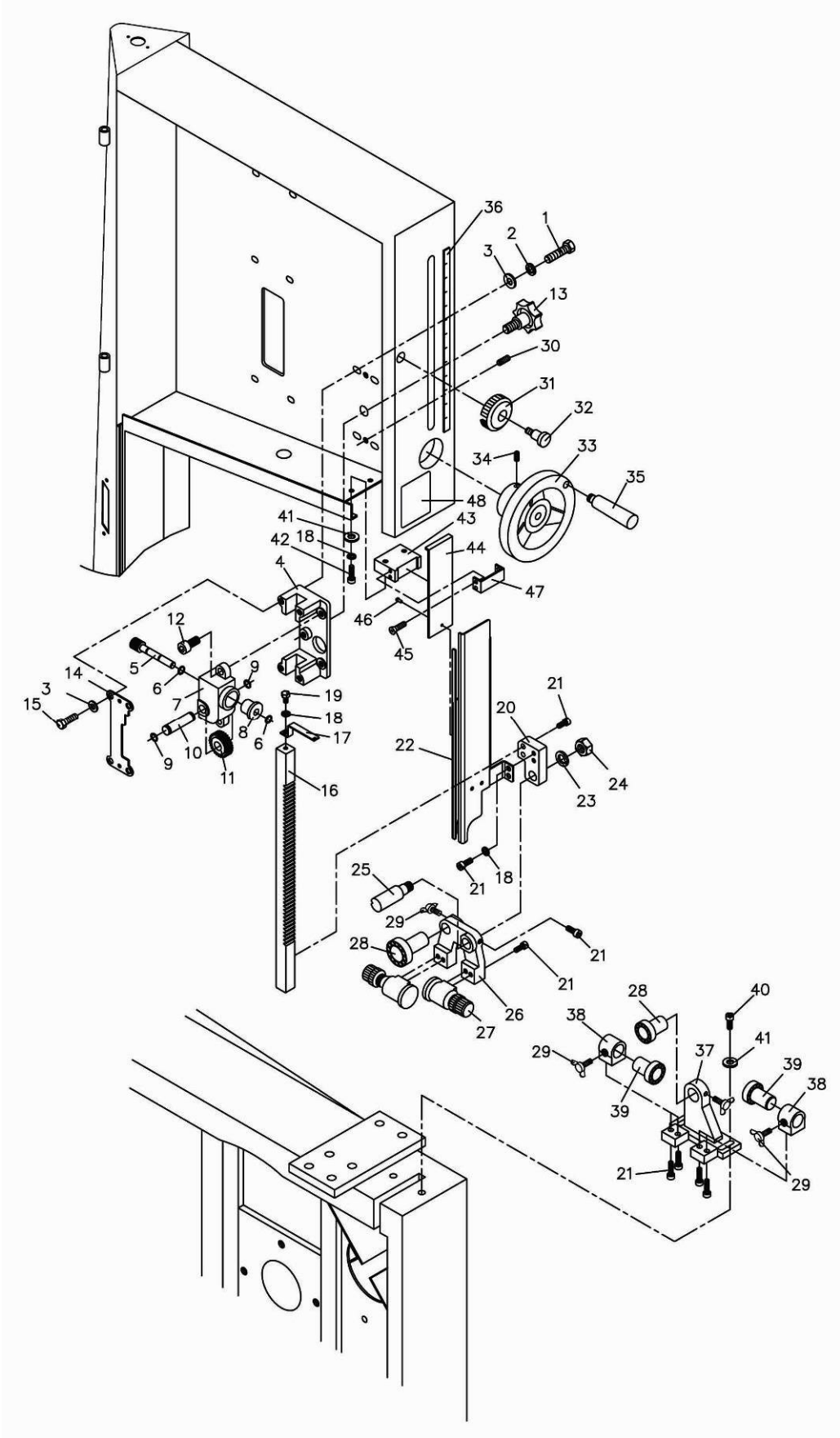


Lower Wheel and Motor Assembly

Index	Part			
No.	No.	Description	Size	Qty.
1	JWBS18-201N	Bearing Base		1
2	JWBS20-62	Adjusting Bolt		4
3	TS-0720091	Lock Washer	3/8	4
4	TS-0060081	Hex Cap Bolt	3/8-16x1-3/4	4
5	BB-6204ZZ	Ball Bearing	6204	1
6	JWBS18-206N	Spindle		1
7	JWBS18-207	Key	7x7x40	1
8	JWBS18-208	Spindle Pulley		1
9	VB-B41	V-Belt	B-41	1
10	JWBS16-210	Lower Wheel		1
11	JWBS16-133	Tire		1
12	TS-0680081	Flat Washer	5/8	1
13	JWBS18-135	Hex Nut	5/8-18UNF L.H.	1
14	JWBS18-214	Hex Nut	5/8-18UNF R.H.	1
15	JWBS18-215	Bearing Cover		1
16	JWBS18-216	Lock Washer	#10	3
17	JWBS18-217	Screw	#10-24 x 3/8	3
18	JWBS16X-218E	Motor	1-1/2HP, 1Ph, 230V	1
	JWBS16X-218AE	Motor	2HP, 3Ph, 400V	1
	JWBS16-RCE	Running Capacitor (not shown)	20uF, 450V	1
	JWBS18-CCE	Capacitor Cover (not shown)		1
	JWBS18DX-FANE	Fan		1
	JWBS16X-MFCE	Motor Fan Cover		1
18-1	JWBS18DX-PE	Plate		1
18-2	JWBS18DX-BME	Brake Magnet		1
18-3	JWBS18DX-KE	Key	4x4x14	1
18-4	JWBS-18DX-BE	Block		1
18-5	JWBS18DX-RE	Rectifier		1
19	JWBS18-219	Motor Bracket		1
20	TS-0081031	Hex Cap Bolt	5/16-18x3/4	4
21	TS-0680031	Flat Washer	5/16	4
22	TS-0060051	Hex Cap Bolt	3/8-16x1	2
23	TS-0720091	Lock Washer	3/8	2
24	TS-0680041	Flat Washer	3/8	2
25	JWBS16-225E	Motor Pulley		1
26	TS-0267021	Socket Set Screw	1/4-20 x 3/8	4
27	JWBS16X-227AE	Lower Front Door		1
28	JWBS18-142	Bolt		1
29	TS-0561011	Hex Nut	1/4-20	1
30	JWBS20-2	Lock Knob		1
31	JWBS20-3	Screw	1/4-20 x 3/4	1
32	JWBS18-232E	Dust Chute		1
33	TS-0680031	Flat Washer	5/16	2
35	JWBS18DX-235E	Plate		1
36	TS-082C032	Screw	#10-24x1/2	2
37	54A-S39	Strain Relief Bushing	PG11	2
38	TS-018C082	Screw	#10-24x1-1/2	2
39	TS-0680011	Flat Washer	#10	2

Index No.	Part No.	Description	Size	Qty.
40	JWBS18-240	Brush		1
41	JWBS18-241	Lock Washer	#10	2
42	TS-0560071	Hex Nut	#10-24	2
43	JWBS18DX-243E	Motor Cord (switch to motor)	1Ph	1
	JWBS18DX-243AE	Motor Cord (switch to motor)	3Ph	1
44	JWBS18DX-244E	Power Cord (motor to switch)	1Ph	1
	JWBS18DX-244AE	Power Cord (motor to switch)	3Ph	1
45	BB-6205ZZ	Ball Bearing	6205	1
46	JWBS16X-246E	I.D. Label	1Ph	1
	JWBS16X-246AE	I.D. Label	3Ph	1
48	JWBS18-39A	Door Hinge Pin		2
49	TS-0720081	Lock Washer	5/16	1
50	TS-0561021	Hex Nut	5/16-18	1

Blade guide Assembly



Blade Guides Assembly

Index Part				
No.	No.	Description	Size	Qty.
1	TS-0051051	Hex Cap Bolt	5/16-18x1	4
2	TS-0720081	Lock Washer	5/16	4
3	TS-0680031	Flat Washer	5/16	8
4	JWBS18-304	Guide Bar Bracket		1
5	JWBS18-305	Worm		1
6	JWBS18-306	E-Ring	E-8	2
7	JWBS18-307	Gear Base		1
8	JWBS18-308	Bushing		1
9	JWBS18-309	C-Ring	S-12	2
10	JWBS18-310	Shaft		1
11	JWBS18-311	Gear		1
12	TS-0208071	Socket Head Cap Screw	5/16-18x1-1/4	2
13	JWBS18-313	Lock Knob	5/16	1
14	JWBS18-314	Plate		1
15	TS-0051011	Hex Cap Bolt	5/16-18x1/2	4
16	JWBS18-316	Guide Bar		1
17	JWBS18-317E	Pointer		1
18	TS-0720071	Lock Washer	1/4	5
19	TS-0050011	Hex Cap Bolt	1/4-20x1/2	1
20	JWBS18-320	Guide Bracket		1
21	TS-0207021	Socket Head Cap Screw	1/4-20x1/2	13
22	JWBS18-322E	Blade Guard		1
23	TS-0720111	Lock Washer	1/2	1
24	TS-0561051	Hex Nut	1/2-13	1
25	JWBS20-110	Locking Shaft		1
26	JWBS20-115	Upper Guide Bracket		1
27	JWBS20-114	Guide Wheel Assembly		2
28	JWBS20-113	Blade Support Shaft w/ Bearing		2
29	JWBS18-329	Wing Screw	1/4-20x1/2	4
30	TS-0270031	Socket Set Screw	5/16 x 3/8	2
31	JWBS20-2	Lock Knob		1
32	JWBS20-3	Screw	1/4-20x3/4	1
33	JWBS18-333	Hand Wheel		1
34	TS-0267041	Socket Set Screw	1/4-20x3/8	1
35	JWBS20-103A	Handle		1
36	JWBS18-336E	Cutting Height Scale		1
37	JWBS20-120	Lower Guide Bracket		1
38	JWBS18-338	Lower Guide Wheel Housing		2
39	JWBS18-339	Lower Guide Wheel Assembly		2
40	TS-0207031	Socket Head Cap Screw	1/4-20x5/8	2
41	TS-0680021	Flat Washer	1/4	4
42	TS-0050021	Hex Cap Bolt	1/4-20x5/8	2
43	JWBS18-343E	Upper Guard Bracket		1
44	JWBS18-344E	Upper Blade Guard		1
45	JWBS18-345E	Philips Screw	3/16 x 3/8	4
46	JWBS18-346E	Pin	3x12	1
47	JWBS18-347E	Bracket Cover		1
48	JWBS18-348E	Blade Direction Label		1

Table and Fence Assembly

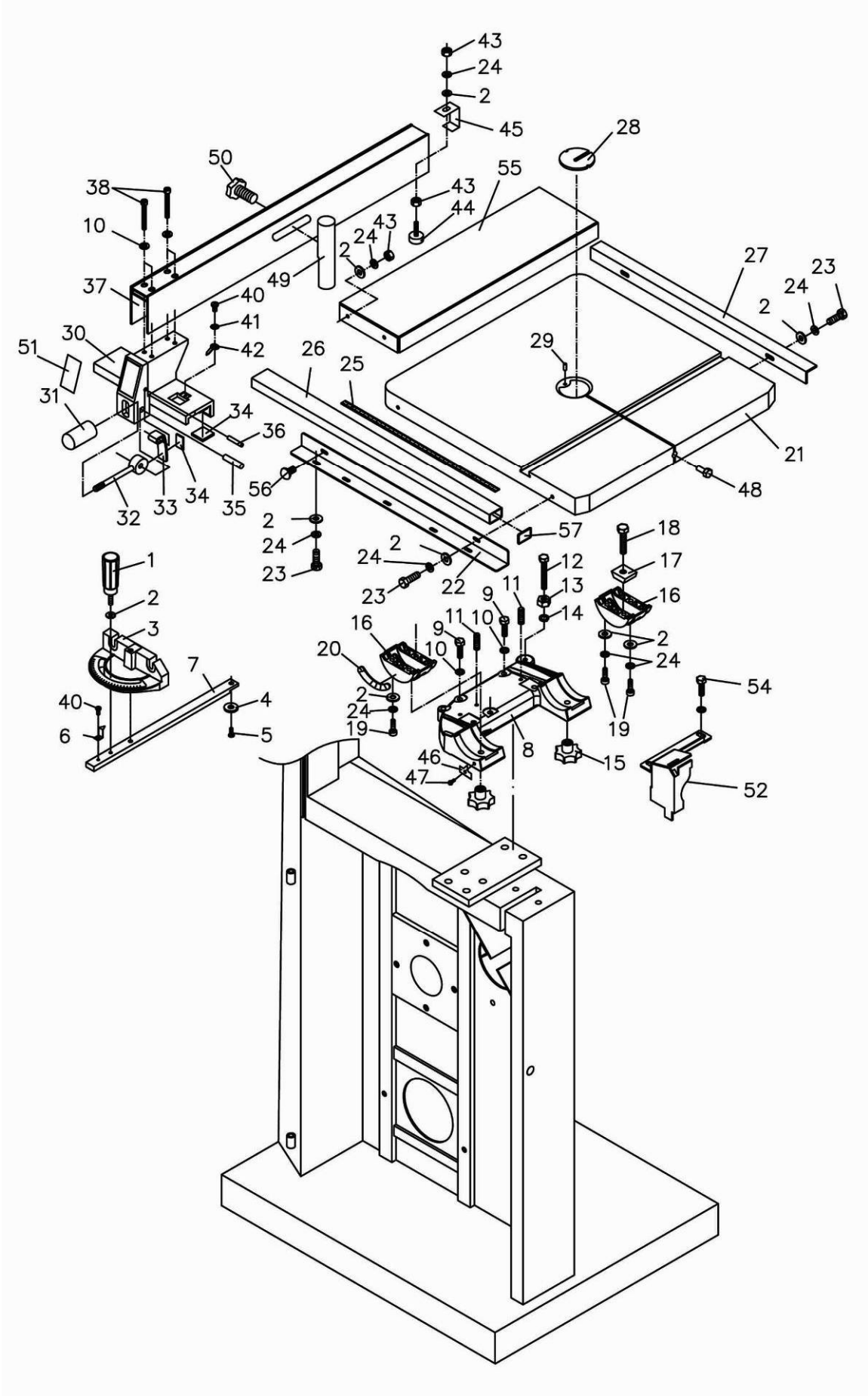


Table and Fence Assembly

Index Part

No.	No.	Description	Size	Qty.
1	JWBS18-401	Lock Knob		1
2	TS-0680021	Flat Washer	1/4	11
3	JWBS18-403	Miter Gauge Body		1
4	200156	Guide Disc		1
5	JWBS18-405	Pan Head Screw	M6x8	1
6	JWBS18-406	Pointer		1
7	JWBS18-407	Guide Bar		1
8	JWBS18X-408	Trunnion Support Bracket		1
9	TS-0051071	Hex Cap Bolt	5/16-18x1-1/2	3
10	TS-0720081	Lock Washer	5/16	8
11	TS-0270061	Set Screw	5/16-18x5/8	2
12	TS-0060111	Hex Cap Bolt	3/8-16x2-1/2	1
13	TS-0561031	Hex Nut	3/8-16	1
14	TS-0720091	Lock Washer	3/8	1
15	JWBS18-415	Lock Knob		2
16	JWBS18X-416	Trunnion		2
17	JWBS18-417	Trunnion Clamp Shoe		2
18	TS-1491081	Hex Cap Bolt	M10x50	2
19	TS-1503041	Socket Head Cap Screw	M6x16	6
20	JWBS18-420	Scale		1
21	JWBS16-421	Table		1
22	JWBS18-422W	Front Rail		1
23	TS-0050021	Hex Cap Bolt	1/4-20x5/8	9
24	TS-0720071	Lock Washer	1/4	20
25	JWBS18-425E	Scale		1
26	JWBS18-426W	Guide Rail		1
27	JWBS18-427W	Rear Rail		1
28	JWBS20-144	Table Insert		1
	JWBS20-144E	Narrow Table Insert		1
29	JWBS20-145	Roll Pin	3 x 10	1
30	JWBS18-430	Fence Body		1
31	JWBS18-431	Knob		1
32	JWBS18-432	Lock Handle		1
33	JWBS18-433W	Lock Plate		1
34	JWBS18-434	Pad		5
35	JWBS18-435	Pin		1
36	JWBS18-436	Pin		1
37	JWBS16-437EA	Fence		1
38	TS-0208041	Socket Head Cap Screw	5/16-18x3/4	4
40	TS-0820012	Screw	#10-24x1/4	2
41	TS-0733031	Star Washer	#10	1
42	JWBS18-442	Pointer		1
43	TS-0561011	Hex Nut	1/4-20	6
44	JWBS18-444	Sliding Pad		1
45	JWBS18-445	Rear Hook		1
46	JWBS18-446	Pointer		1
47	JWBS18-447	Screw	M5x8	1
48	JWBS18-448	Table Pin		1

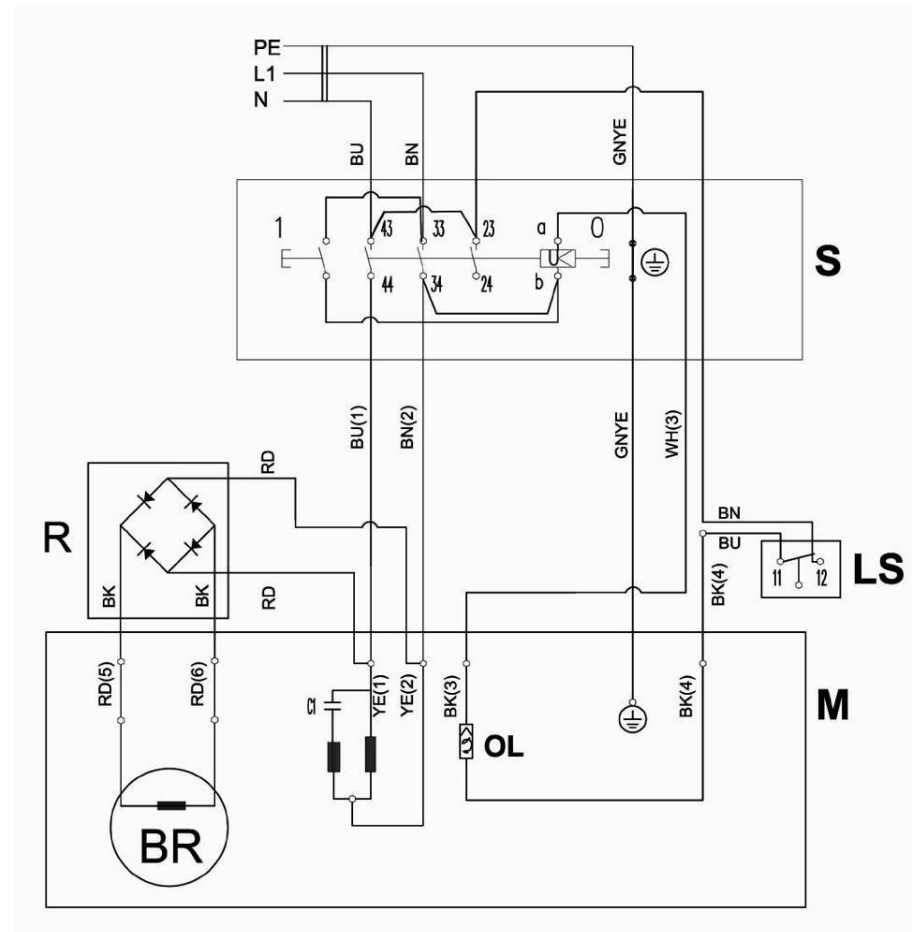
Index No.	Part No.	Description	Size	Qty.
49	JWBS18-449E	Resaw Post		1
50	JWBS18-450	Knob		1
51	JWBS18-451	JET Fence Label		1
52	JWBS18-452E	Lower Blade Guard		1
54	TS-0051091	Hex Cap Bolt	5/16-18x2	3
55	JWBS16-55	Extension Table		1
56	JWBS16-56	Carriage Bolt	1/4-20x5/8	4
57	2013-285	End Cover		2
58	JWBS18DX-462E	Sucker (not shown)		1
	JWBS18-MGCP	Miter Gauge Assembly		
	JWBS16-FCPE	Fence Assembly Complete		
	JWBS18-APE	Accessory Package		

JWBS-16X 10000150XM

	colour of strands	Litzenfarben	couleur des cordons
BK	black	schwarz	noir
WH	white	weiß	blanc
BU	blue	blau	bleu
YE	yellow	gelb	jaune
RD	red	rot	rouge
BN	brown	braun	brun
GY	grey	grau	gris
GNYE	green-yellow	grün-gelb	vert-jaune
OG	orange	orange	orange
VT	violet	violett	violet

	meaning of symbol	Bedeutung der Zeichen	interprétation
M	motor	Motor	moteur
S	switch	Schalter	interrupteur
C	condenser	Kondensator	condensateur
R	rectifier	Gleichrichter	rectifier
BR	motor break	Motorbremse	frein de moteur
RS	reversing switch	Drehrichtungsschalter	commu. droite/gauche
CS	centrifugal switch	Fliehkraftschalter	déclencheur centrifuge
OL	overload cut-off	Überlastschuttschalter	déclencheur surcharge
LS	limit switch	Positionsendschalter	micro

230/50/1



**JWBS-16X
10000150XT**

400/50/3

	colour of strands	Litzenfarben	couleur des cordons
BK	black	schwarz	noir
WH	white	weiß	blanc
BU	blue	blau	bleu
YE	yellow	gelb	jaune
RD	red	rot	rouge
BN	brown	braun	brun
GY	grey	grau	gris
GNYE	green-yellow	grün-gelb	vert-jaune
OG	orange	orange	orange
VT	violet	violett	violet

	meaning of symbol	Bedeutung der Zeichen	interprétation
M	motor	Motor	moteur
S	switch	Schalter	interrupteur
C	condenser	Kondensator	condensateur
R	rectifier	Gleichrichter	rectifier
BR	motor break	Motorbremse	frein de moteur
RS	reversing switch	Drehrichtungsschalter	commu. droite/gauche
CS	centrifugal switch	Fliehkraftschalter	déclencheur centrifuge
OL	overload cut-off	Überlastschuttschalter	déclencheur surcharge
LS	limit swith	Positionsendschalter	micro

