



**GH-2040 ZH DRO RFS-
GH-20120 ZH DRO RFS**

METAL LATHE

**50000830T-50000833T
400/50/3**

PARTS LIST



JPW Tool Group Hong Kong Limited

98 Granville Road, Tsimshatsui East, Kowloon, Hong Kong, PRC
www.jettools.com

Импортер в РФ: ООО «ИТА Технолоджи»

105082, Москва, Переведеновский пер., д. 17
www.jettools.ru

Made in PRC / Сделано в КНР

P - 50000830T

2022-09

Table of Contents

Table of Contents2

Bed Assembly I 3-7

Bed Assembly II 8-11

Headstock Assembly I 12-14

Headstock Assembly II 15-17

Headstock Assembly III 18-21

Headstock Assembly IV 22-24

Headstock Assembly V 25-26

Tailstock Assembly I 27-28

Tailstock Assembly II 29-30

Tool Post Assembly I 31-33

Tool Post Assembly II 34-36

Gear Box Assembly I 37-38

Gear Box Assembly II 39-41

Gear Box Assembly III 42-44

Apron Assembly I 45-48

Apron Assembly II 49-52

Apron Assembly III 53-55

Apron Assembly IV 56-58

Apron Assembly V 59-60

Gear Assembly 61-52

Micro Carriage Stop Assembly 63-64

Brake Assembly 65-67

Steady Rest Assembly 68-69

Follow Rest Assembly 70-71

Safety Guard Cover72

Parts List for Toolpost Protection Device73

Parts List for Lead Screw Protection Device 74-75

Parts List for Lead Screw Protection Device For GH-20120ZH 76-77

Coolant & Work Light Assembly78

Carriage Lubrication79

Toolbox, Accessories, and Attachments80

Electrical Components81

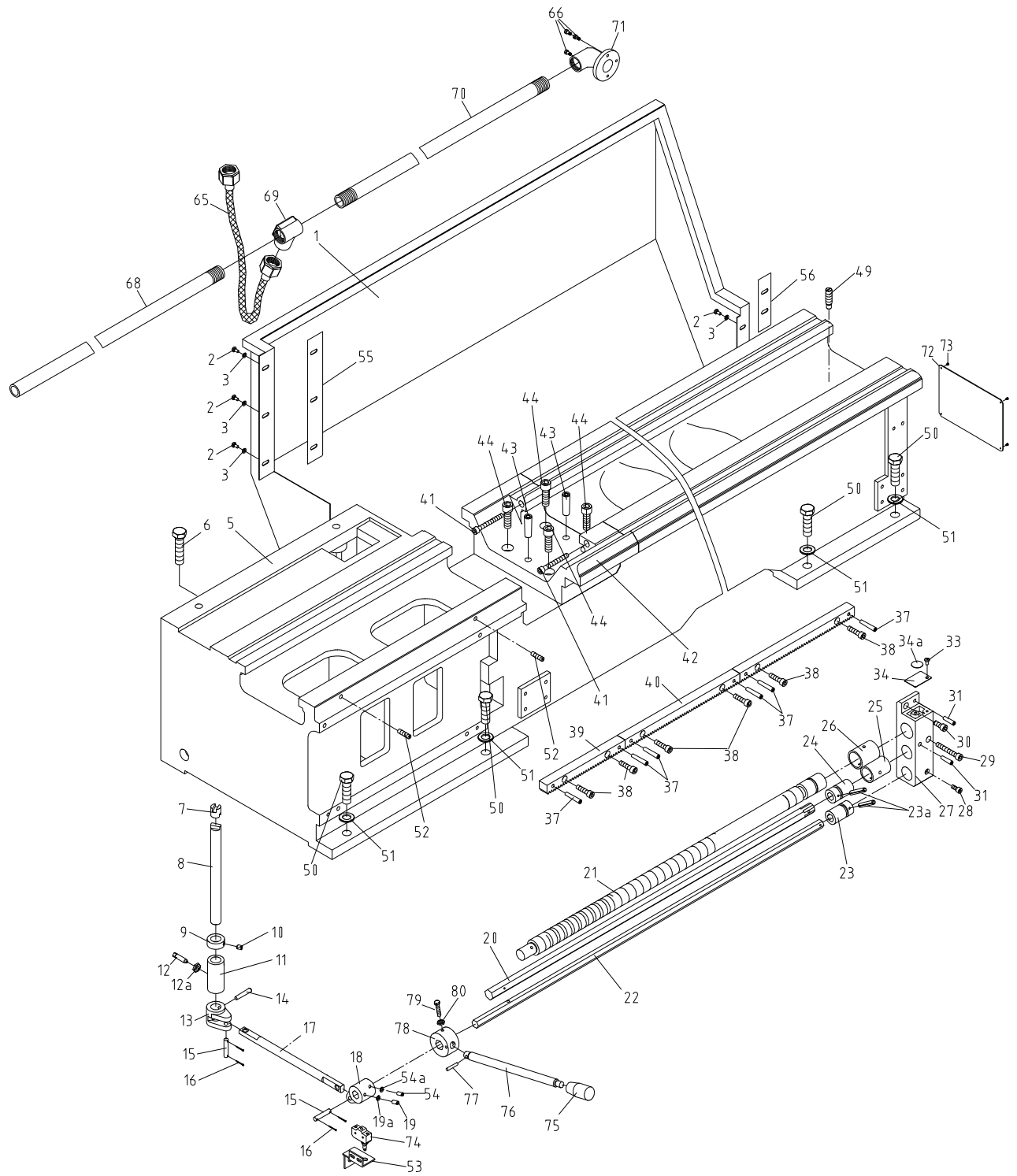
Electrical Diagram82

Electrical Components-Parts List83

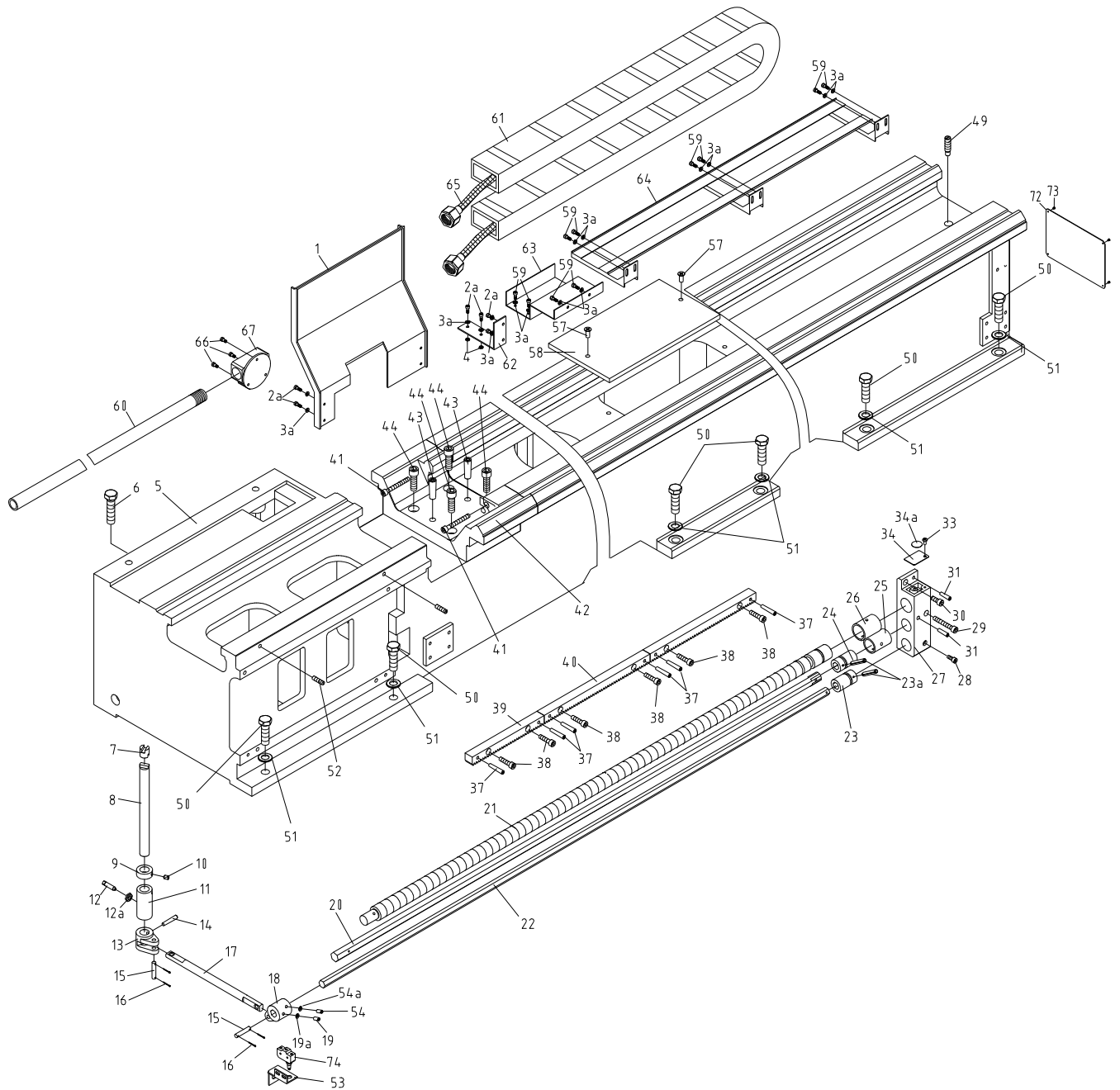
Digital Scale Units84

Flexible Stainless Wire Woven Tube85

Bed Assembly I



Bed Assembly I (for GH-20120ZH only)



Bed Assembly I

Index No.	Part No.	Description	Size	Qty.
1	C6250B12701A-G	Splash Guard (For GH-2040ZH only)	1000	1
	C6250B12701B-G	Splash Guard (For GH-2060ZH only)	1500	1
	C6250B12701C-G	Splash Guard (For GH-2080ZH only)	2000	1
	C6266C12701D-G	Splash Guard (For GH-20120ZH only)	3000	1
2	GB70- M8x10	Hex Socket Cap Screw (For GH-2040/60/80ZH)	M8x10	5
2a	GB70- M6x14	Hex Socket Cap Screw (For GH-20120ZH only)	M6x14	6
3	GB97.2-8	Flat Washer (For GH-2040/60/80ZH)	8	5
3a	GB97.2-6	Flat Washer (For GH-20120ZH only)	6	16
4	GB6172-M6	Hexagon thin nut (For GH-20120ZH only)	M6	2
5	C6266C01101A-G	Bed (For GH-2040ZH only)	1000	1
	C6266C01101B-G	Bed (For GH-2060ZH only)	1500	1
	C6266C01101C-G	Bed (For GH-2080ZH only)	2000	1
	C6266C01101D-G	Bed (For GH-20120ZH only)	3000	1
6	GB5782- M20x60	Hexagon Head Bolt	M20x60	4
7	C6140W01705	Crossed Head		1
8	C6140W01706	Screw		1
9	C6140W01707	Sleeve		1
10	GB71- M10x12	Slotted Set Screw	M10x12	1
11	C6140W01709	Sleeve		1
12	GB85-M10x35	Square Set Screw	M10x35	1
12a	GB6172-M10	Hex Nut	M10	1
13	C6140W01104	Fork		1
14	GB118-8x50	Taper Pin	8x50	1
15	C6140W01710	Shaft		2
16	GB91-2x20	Split Pin	2x20	4
17	C6140W01711A	Pulling Rod		1
18	C6266C01106-G	Sleeve		1
19	GB71-M6x16	Slotted Set Screw	M6x16	1
19a	GB6172-M6	Nut	M6	1
20	C6140W01703	Hex Feed Rod (For GH-2040ZH only)		1
	C6266C01703B	Hex Feed Rod (For GH-2060ZH only)		1
	C6266C01703C	Hex Feed Rod (For GH-2080ZH only)		1
	C6266C01703D	Hex Feed Rod (For GH-20120ZH only)		1
21	C6140W01702	Lead Screw (For GH-2040ZH only)		1
	C6266C01702B	Lead Screw (For GH-2060ZH only)		1
	C6266C01702C	Lead Screw (For GH-2080ZH only)		1
	C6266C01702D	Lead Screw (For GH-20120ZH only)		1
22	C6140W01722	Hex Control Rod (For GH-2040ZH only)		1
	C6266C01705B	Hex Control Rod (For GH-2060ZH only)		1
	C6266C01705C	Hex Control Rod (For GH-2080ZH only)		1
	C6266C01705D	Hex Control Rod (For GH-20120ZH only)		1
23	C6140W01724	Sleeve		1
23a	GB879-5x30	Spring Pin	5x30	2
24	C6140W01725	Sleeve		1
25	C6140W01302	Copper Sleeve		1
26	C6140W01301	Copper Sleeve		1
27	C6140W01109-G	Bracket		1

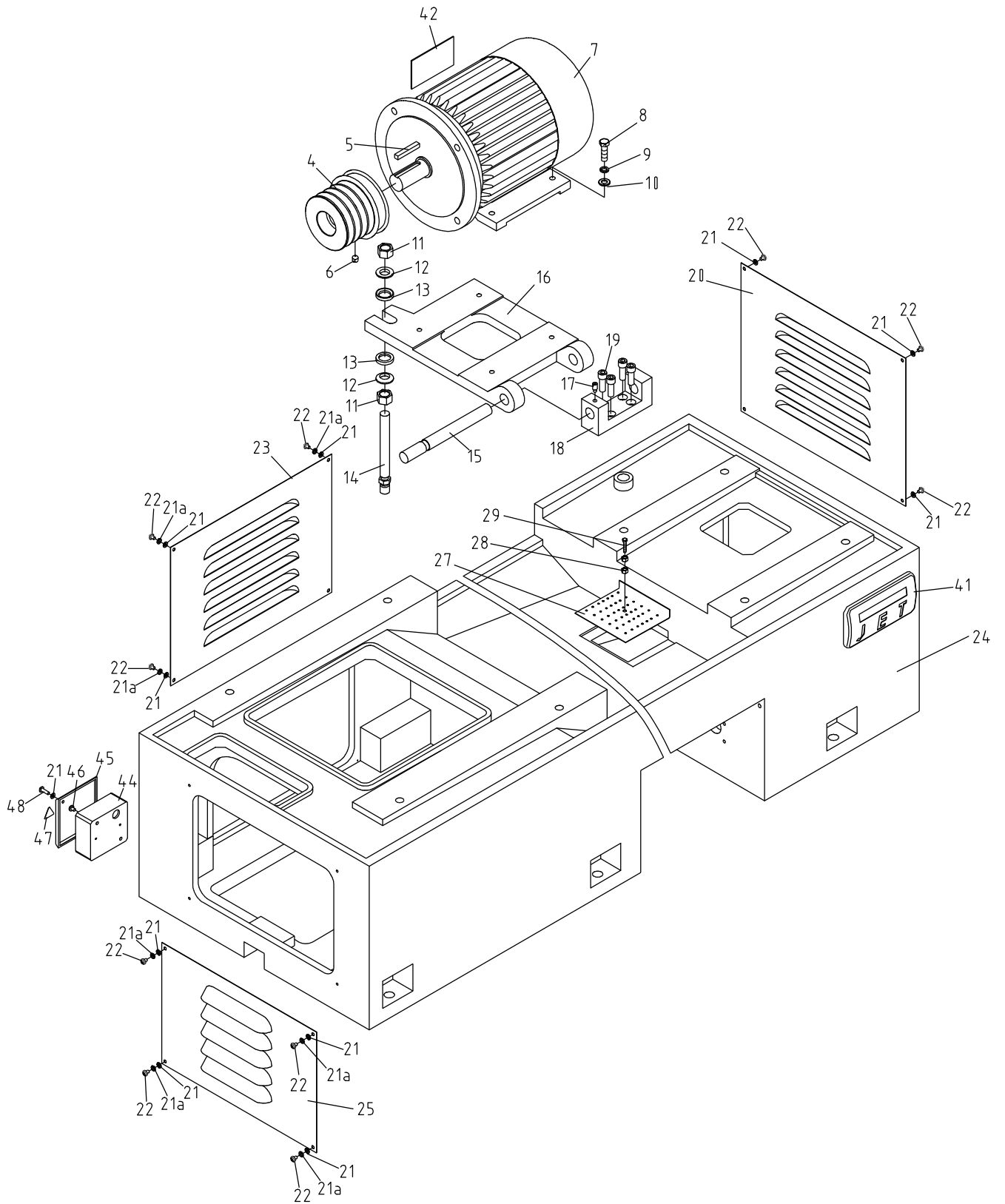
Bed Assembly I

Index	Part			
No.	No.	Description	Size	Qty.
28	GB70- M8x20	Hex Socket Cap Screw	M8x20	1
29	GB70- M10x70	Hex Socket Cap Screw	M10x70	1
30	GB70- M10x25	Hex Socket Cap Screw	M10x25	1
31	GB118-8x35	Taper Pin	8x35	2
33	GB2672-M6x8	Screw	M6x8	1
34	C6140W01726	Cover (serial #1601ZH0793 and lower)		1
	C6266C01736	Cover (serial #1601ZH0794 and higher)		1
34a	C6266C04A311	Label (serial #1608ZH0809 and lower)		1
	C6266C04A311-1	Label (serial #1608ZH0810 and higher)		1
37	GB118-8x45	Taper Pin (For GH-2040ZH only)	8x45	8
	GB118-8x45	Taper Pin (For GH-2060ZH only)	8x45	10
	GB118-8x45	Taper Pin (For GH-2080ZH only)	8x45	12
	GB118-8x45	Taper Pin (For GH-20120ZH only)	8x45	18
38	GB70- M10x35	Hex Socket Cap Screw (For GH-2040ZH only)	M10x35	8
	GB70- M10x35	Hex Socket Cap Screw (For GH-2060ZH only)	M10x35	10
	GB70- M10x35	Hex Socket Cap Screw (For GH-2080ZH only)	M10x35	12
	GB70- M10x35	Hex Socket Cap Screw (For GH-20120ZH only)	M10x35	18
39	C6266C01704	Rack (For GH-2040ZH only)		1
	C6266C01704	Rack (For GH-2060ZH only)		1
	C6266C01704	Rack (For GH-2080ZH only)		1
	C6266C01704	Rack (For GH-20120ZH only)		1
40	C6140W01719A	Rack (For GH-2040ZH only)		3
	C6140W01719A	Rack (For GH-2060ZH only)		4
	C6140W01719A	Rack (For GH-2080ZH only)		5
	C6140W01719A	Rack (For GH-20120ZH only)		8
41	GB70- M10x85	Hex Socket Cap Screw	M10x85	2
42	C6266C01103	Gap		1
43	GB118-16x60	Taper Pin	16x60	2
44	GB70- M16x50	Hex Socket Cap Screw	M16x50	4
49	C6140W01733	Pin		1
50	GB5782- M20x80	Hexagon Head Bolt (Except For GH-20120ZH)	M20x80	8
	GB5782- M20x80	Hexagon Head Bolt (For GH-20120ZH only)	M20x80	12
51	GB97.2-20	Flat Washer (Except For GH-20120ZH)	20	8
	GB97.2-20	Flat Washer (For GH-20120ZH only)	20	12
52	GB85- M12x75	Set Screw	M12x75	2
53	C6266C18716-G	Bracket		1
54	GB5781-M8X25	Hex Bolt	M8X25	1
54a	GB6172-M8	Nut	M8	1
55	C6266CLRG40	Rubber Gasket (For GH-2040ZH only)		1
	C6266CLRG60	Rubber Gasket (For GH-2060ZH only)		1
	C6266CLRG80	Rubber Gasket (For GH-2080ZH only)		1
56	C6266CRRG	Rubber Gasket (Except For GH-20120ZH)		1
57	GB819- M5x12	Cross Recessed Countersunk Head Screw (For GH-20120ZH only)	M5x12	2
58	C6140W-01721-G	Cover (For GH-20120ZH only)		1
59	GB70- M6x10	Hex Socket Cap Screw (For GH-20120ZH only)	M6x10	10
60	C6266C18702/1650-G	Line Pipe (For GH-20120ZH only)		1

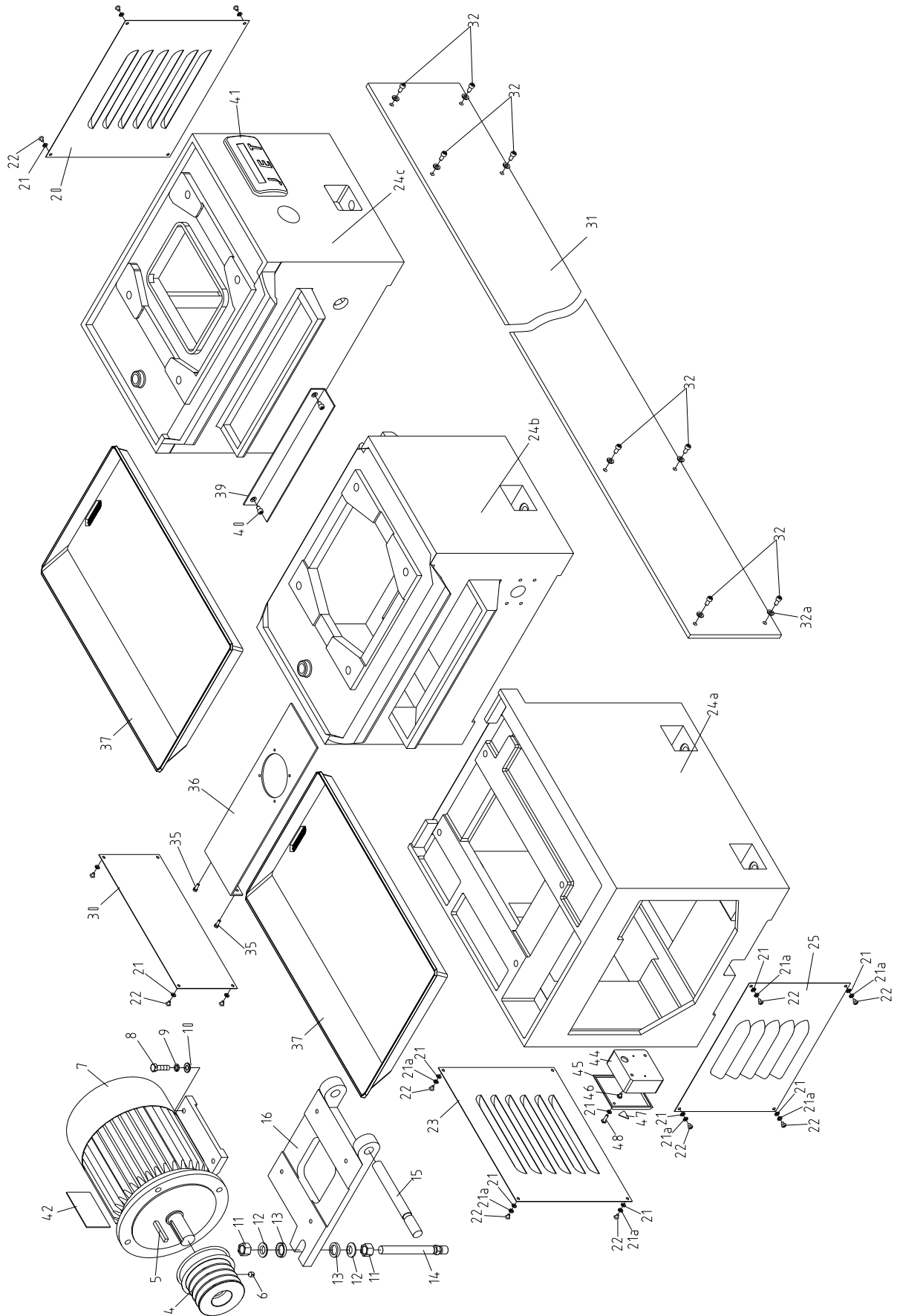
Bed Assembly I

Index No.	Part No.	Description	Size	Qty.
61	C6266C18709	Articulating Sleeve (For GH-20120ZH only)	50x82xR100x1000	2
62	C6266C18711-G	Drag Chain Support (For GH-20120ZH only)		1
63	C6266C18710-G	Drag Chain Support (For GH-20120ZH only)		1
64	C6266C18712	Drag Chain Carriage (For GH-20120ZH only, serial #1601ZH0793 and lower)		1
	C6266C18712A	Drag Chain Carriage (For GH-20120ZH only, serial #1601ZH0794 and higher)		1
65	P3	Flexible Stainless Wire Woven Tube (For GH-2040ZH only)	M33x2M30x2-1.05m	1
	P3	Flexible Stainless Wire Woven Tube (For GH-2060ZH only)	M33x2M30x2-1.50m	1
	P3	Flexible Stainless Wire Woven Tube (For GH-2080ZH only)	M33x2M30x2-1.65m	1
	P3	Flexible Stainless Wire Woven Tube (For GH-20120ZH only)	M33x2M30x2-2.60m	1
66	GB70- M6x12	Hex Socket Cap Screw (For GH-2040/60/80/120ZH)	M6x12	3
67	D93-2-G	Tee Pipe Coupling (For GH-20120ZH only)	M33X2	1
68	C6140W18702/700-G	Line Pipe (For GH-2040ZH only)		1
	C6266C18702/950-G	Line Pipe (For GH-2060ZH only)		1
	C6266C18702/1200-G	Line Pipe (For GH-2080ZH only)		1
69	D93-1-G	Tee Pipe Coupling (For GH-2040/60/80ZH)	M33X2	1
70	C6140W18702/750-G	Line Pipe (For GH-2040ZH only)		1
	C6266C18703/1000-G	Line Pipe (For GH-2060ZH only)		1
	C6266C18703/1250-G	Line Pipe (For GH-2080ZH only)		1
71	D91-4-G	Right Angle Flange Pipe Joint (For GH-2040/60/80ZH)	M33X2	1
72	C0632-01305	Label (serial #1608ZH0809 and lower)		1
	GHB1340A01301-1	Label (serial #1608ZH0810 and higher)		1
73	GB827-2x3	Rivet	2x3	4
74	ZH-SQ4	Micro Switch	LXW5-11Q1	1
75	C6266C06702	Handle Sleeve (For GH-2040ZH/ GH-2060ZH/ GH-2080ZH only serial #1901ZH0962 and higher)		1
76	C6266C06711C	Control Handle (For GH-2040ZH/ GH-2060ZH/ GH-2080ZH only serial #1901ZH0962 and higher)		1
77	GB117-5x30	Taper Pin (For GH-2040ZH/ GH-2060ZH/ GH-2080ZH only serial #1901ZH0962 and higher)	5x30	1
78	C6266C06710B	Positioning Sleeve (For GH-2040ZH/ GH-2060ZH/ GH-2080ZH only serial #1901ZH0962 and higher)		1
79	GB117-6x50	Taper Pin (For GH-2040ZH/ GH-2060ZH/ GH-2080ZH only serial #1901ZH0962 and higher serial #1907ZH1010 and lower)	6x50	1
	GB5782-M8x25	Hex Bolt (For GH-2040ZH/ GH-2060ZH/ GH-2080ZH only (serial #1907ZH1011 and higher)	M8x25	1
80	GB6172-M8	Hex Nut (serial #1907ZH1011 and higher)	M8	1

Bed Assembly II



Bed Assembly II (for GH-20120ZH only)



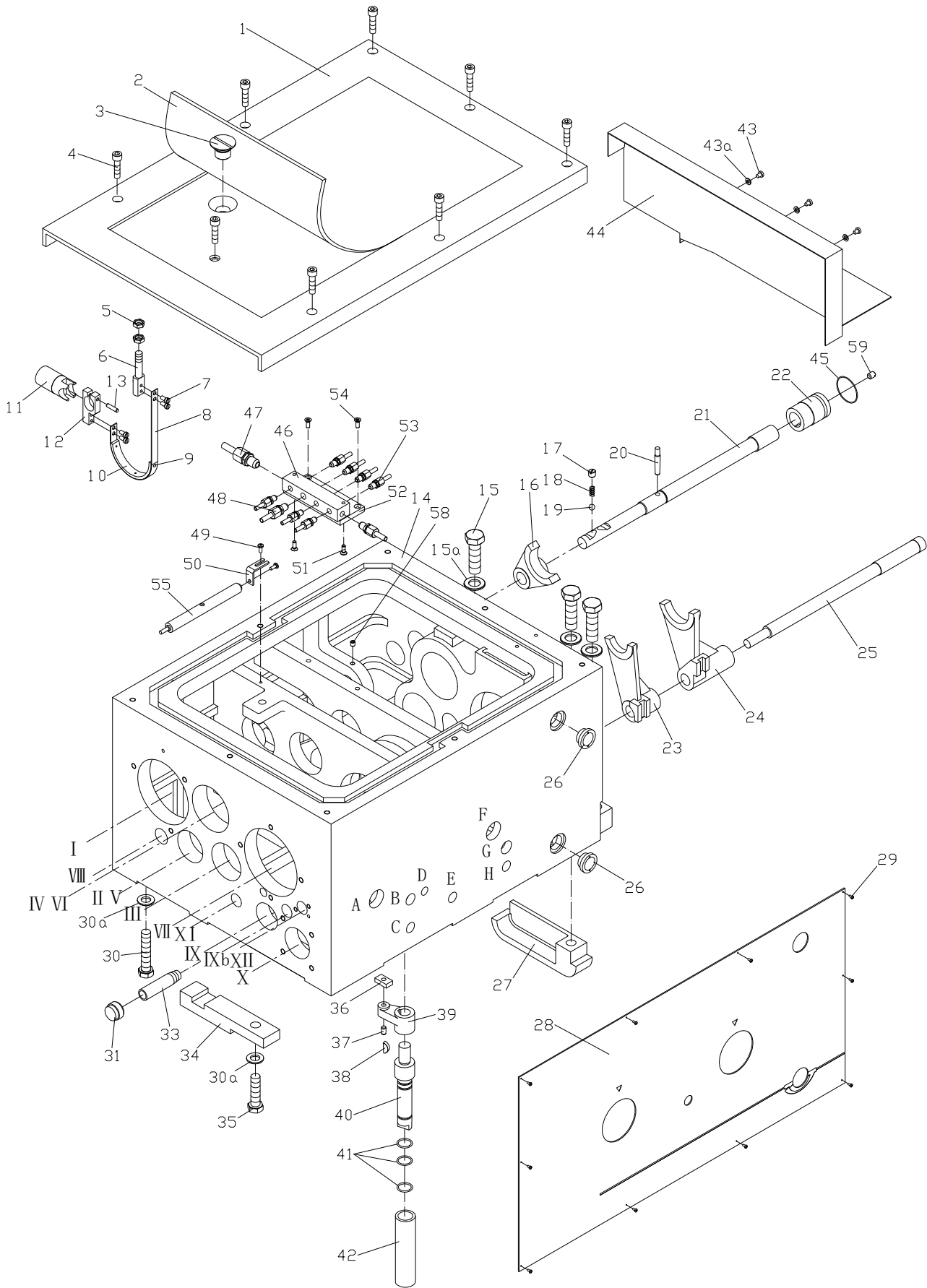
Bed Assembly II

Index No.	Part No.	Description	Size	Qty.
4	C6266C01105	Pulley		1
5	GB1096-10x50	Flat Key	10x50	1
6	GB71- M12x16	Slotted Set Screw	M12x16	1
7	Y132M-4TH/B3	Motor	10HP, 3PH, 400V	1
8	GB5782- M10x40	Hexagon Head Bolt	M10x40	4
9	GB93-10	Spring Washer	10	4
10	GB97.2-10	Flat Washer	10	4
11	GB6170- M20	Hex Nut	M20	2
12	GB849-20	Spheric Washer	20	2
13	C6140W01735	Taper Washer		2
14	C6140W01714	Double Bolt		1
15	C6266C01711	Shaft		1
16	C6266C01104	Motor Mounting Plate		1
17	GB75- M10x14	Slotted Set Screws (Except For GH-20120ZH)	M10x14	1
18	C6266C01107	Support (Except For GH-20120ZH)		1
19	GB70- M12x35	Hex Socket Cap Screw (Except For GH-20120ZH)	M12x35	4
20	C6266C01701-G	Cover		1
21	GB97-6	Flat Washer	6	12
	GB97-6	Flat Washer (For GH-20120ZH only)	6	16
21a	GB93-6	Spring Washer	6	8
22	GB818-M6x8	Cross Head Screw (serial #1601ZH0793 and lower)	M6x8	12
	GB2672-M6x8	Screw (serial #1601ZH0794 and higher)	M6x8	12
	GB818-M6x8	Cross Head Screw (For GH-20120ZH only) (serial #1601ZH0793 and lower)	M6x8	16
	GB2672-M6x8	Screw (For GH-20120ZH only) (serial #1601ZH0794 and higher)	M6x8	16
23	C6266C01710-G	Cover		1
24	C6266C01102A-G	Bed Stand (For GH-2040ZH only)	1000	1
	C6266C01102B-G	Bed Stand (For GH-2060ZH only)	1500	1
	C6266C01102C-G	Bed Stand (For GH-2080ZH only)	2000	1
24a	C6266C01108-G	Front Bed Stand (For GH-20120ZH only)	3000	1
24b	C6266C01109-G	Middle Bed Stand (For GH-20120ZH only)	3000	1
24c	C6266C01110-G	Rear Bed Stand (For GH-20120ZH only)	3000	1
25	C6266C01707-G	Cover		1
27	1440R01705	Drain Plate (Except For GH-20120ZH)		1
28	GB41- M6	Hex Nut (Except For GH-20120ZH)	M6	2
29	GB5782- M6 × 20	Hexagon Head Bolt (Except For GH-20120ZH)	M6 × 20	1
30	C6140W01723-G	Cover (For GH-20120ZH only)		1
31	C6266C01715-G	Front Splash Guard (For GH-20120ZH only)		1
32	GB70-M8X16	Cross Head Screw (For GH-20120ZH only)	M8X16	12
32a	GB97-8	Washer (For GH-20120ZH only)	8	12
34	STRIRZ-1-314	Saripe (not shown)		1
35	GB70-M6x16	Hex Socket Cap Screw (For GH-20120ZH only)	M6x16	2
36	C6266C01713-G	Coolant Tank Bracket (For GH-20120ZH only)		1
37	C6266C01712-G	Lacquer Tray (For GH-20120ZH only)		2
39	C61321723A-G	Bracket		1
40	GB70- M8x12	Hex Socket Cap Screw	M8x12	2

Bed Assembly II

Index No.	Part No.	Description	Size	Qty.
41	JET-165	JET LOGO (serial #1601ZH0794 and higher)		1
42	K990	Motor Label		1
44	GH-1640ZX18303A-G	Wiring Box		1
45	GH-1440A18304-G	Wiring Box Cover		1
46	GB818-M6x8	Cross Head Screw	M6x8	2
47	C613618302	Warning Label		1
48	GB2672-M6x20	Screw	M6x20	2

Headstock Assembly I



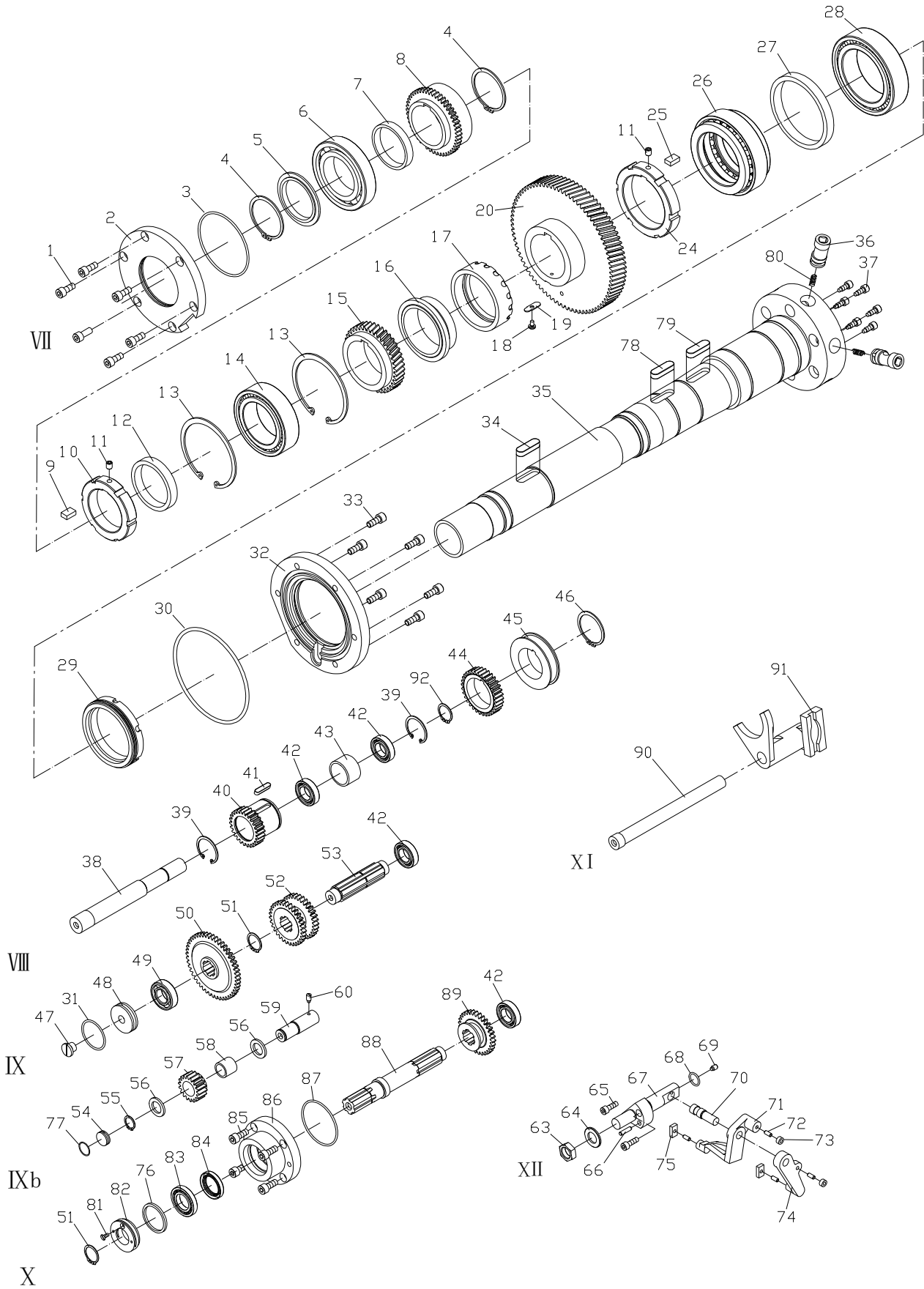
Headstock Assembly I

Index No.	Part No.	Description	Size	Qty.
1	C6140W02505-G	Headstock Cover		1
2	C6140W02509	Rubber Gasket		1
3	C6140W02835	Sunk Screw		1
4	GB70-M10x40	Hex Socket Cap Screw	M10x40	8
5	GB6172-M12	Hex Flat Nut	M12	2
6	C6140W02816	Screw		1
7	GB65-M6x12	Slotted Socket Cap Screw	M6x12	4
8	C6140W02796	Braking Belt		1
9	GB867-3x8	Half Circle Rivet	3x8	3
10	C140W02503	Braking Friction Disk		1
11	C6140W02797	Shaft		1
12	C6140W02798	Braking Belt Support		1
13	GB119-6m6x25	Pin	6m6x25	1
14	C6250B02101-G	Headstock		1
15	GB5782-M20x65	Hexagon Head Bolt	M20x65	3
15a	GB97-20	Washer	20	3
16	C6140W02107	Fork		1
17	GB71-M12x14	Slotted Set Screw	M12x14	1
18	Q81-1-1.6x8x70	Spring	1.6x8x70	1
19	GB308-10	Steel Ball	10	1
20	GB818-8x40	Cross Recessed Pan Head Screws	8x40	1
21	C6140W02731	Positioning Shaft		1
22	C6140W02105	Bushing		1
23	C6250B02138	Fork		1
24	C6140W02130	Fork		1
25	C6140W02829	Fork Shaft		1
26	R51-2-20	Oil Sight Glass	20	2
27	C6140W02141-G	Front Cover		1
28	C6250B02305-38	Label (For GH-2040ZH only) (serial #1608ZH0809 and lower)		1
	C6250B02305-39	Label (For GH-2060ZH only) (serial #1608ZH0809 and lower)		1
	C6250B02305-40	Label (For GH-2080ZH only) (serial #1608ZH0809 and lower)		1
	C6250B02305-53	Label (For GH-20120ZH only) (serial #1608ZH0809 and lower)		1
	C6250B02305-65	Label (serial #1608ZH0810 and higher)		1
29	GB818-M3x5	Screw (serial #1601ZH0793 and lower)	M3x5	10
	GB2672-M3x6	Screw (serial #1601ZH0794 and higher)	M3x6	10
30	GB5782-M16x80	Hexagon Head Bolt	M16x80	2
30a	GB97-16	Hexagon Head Bolt	16	3
31	C6140W02831	Nut		1
33	C6140W02832	Drain Pipe		1
34	C6140W02833	Clamping Plate		1
35	GB5782-M16x60	Hexagon Head Bolt	M16x60	1
36	C6140W02143	Slide Block		1
37	GB119-8m6x20	Pin	8m6x20	1
38	GB1099-6x22	Half Circle Key	6x22	1
39	C6140W02129	Rocker		1
40	C6140W02815	Shaft		1
41	GB1235-25x2.4	Ring Seal	25x2.4	3

Headstock Assembly I

Index	Part			
No.	No.	Description	Size	Qty.
42	C6140W02127	Collar		1
43	GB818-M6x16	Cross Head Screw	M6x16	3
43a	GB97-6	Washer	6	3
44	C6266C02757-G	Cover		1
45	GB3452.1-38.7x3.55	Ring Seal	38.7x3.55	1
46	C6140W02836	Oil Distributor		1
47	G92-1A-10	Fitting	10	4
48	G92-1A-6	Fitting	6	2
49	GB818-M5×12	Cross Recessed Pan Head Screw	M5×12	3
50	C6140W02838	Bracket		1
51	GB819-M5×10	Cross Recessed Head Screw	M5×10	2
52	C6140W02837	Board		1
53	G92-1A-4	Fitting	4	10
54	GB818-M5×14	Cross Recessed Pan Head Screw	M5×14	2
55	C6140W02840	Combination Of Oil Sprayer		1
56	C6140W02841	Plug		1
57	SFW-02A	Oil Filter		1
58	GB78-M8×10	Hex Socket Set Screw With Cone Point	M8×10	1
59	GB73-M8×10	Slotted Set Screw	M8×10	1

Headstock Assembly II



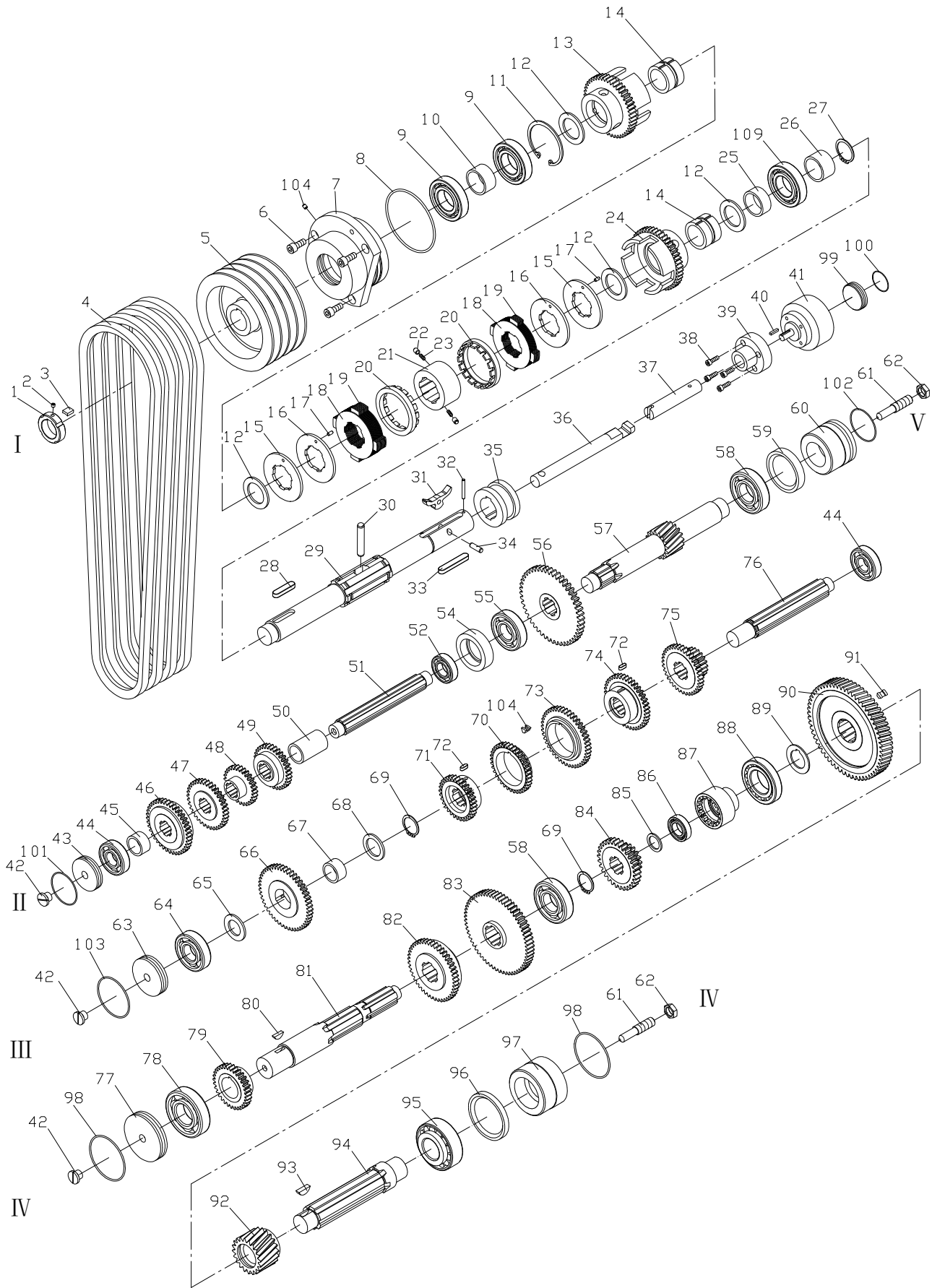
Headstock Assembly II

Index No.	Part No.	Description	Size	Qty.
1	GB70-M10x25	Hex Socket Cap Screws	M10x25	6
2	C6250B02115	Back Flange Cover		1
3	G51-2B-170x2.65	Ring Seal	170x2.65	1
4	GB894.1-95	Circlip for Shaft	95	2
5	C6250B02772	Oil Splash Ring		1
6	6019/P5	Deep Groove Ball Bearing		1
7	C6250B02116	Sleeve		1
8	C6250B02773	Gear		1
9	C6250B02789 (2/2)	Clamping Block		1
10	C6250B02789 (2/2)	Round Nut		1
11	GB77-M10x25	Hex Socket Set Screw	M10x25	1
12	C6250B02790	Sleeve		1
13	GB893.1-150	Circlip for Bore	150	1
14	NN3020/P5	Double Row Roller Bear	100x150x37	1
15	C6250B02716	Gear		1
16	C6250B02702	Thread Sleeve		1
17	C6250B02703	Nut		1
18	GB67-M6x10	Slotted Pan Head Screw	M6x10	1
19	C6140W02715	Fixing Plate		1
20	C6250B02705	Gear		1
24	C6250B02706 (1/2)	Round Nut		1
25	C6250B02706 (2/2)	Clamping Block		1
26	234424/P5	Thrust Ball Bearing	120x150x72	1
27	C6250B02712	Sleeve		1
28	NN3024K/W33/P5	Double Row Ball Bearing	120x150x46	1
29	1440R02702	Oil Splash Ring		1
30	G51-2B-218x2.65	Ring Seal	218x2.65	1
31	GB3452.1-45x3.55	Ring Seal	45x3.55	1
32	C6250B02102A-G	Front Flange Cover		1
33	GB70-M10x25	Hex Socket Cap Screws	M10x25	6
34	GB1096-10x50	Key	10x50	1
35	C6250B02701	Spindle (D Type)		1
36	1440R02701	Cam (For D Type)		6
37	1440R02703	Cam (For D Type)		6
38	C6140W-02735	Shaft VIII		1
39	GB893.1-47	Circlip for Bore	47	2
40	C6140W02739	Gear		1
41	GB1096-8x35	Key	8x35	1
42	6005/P6	Deep Groove Ball Bearing	25x47x12	2
43	C6140W02110	Sleeve		1
44	C6140W02738	Gear		1
45	C6140W02737	Braking Wheel		1
46	GB894.1-58	Circlip for Shaft	58	1
47	C6140W02765	Screw		1
48	C6140W02774	Bearing Cover		1
49	6205/P6	Bearing	25x52x15	1

Headstock Assembly II

Index No.	Part No.	Description	Size	Qty.
50	C6140W02778	Gear		1
51	GB894.1-30	Circlip for Shaft	.30	2
52	C6140W02784	Double Gear		1
53	C6140W02777	Shaft IV		1
54	C6140W02775	Plug		1
55	GB894.1-22	Circlip for Shaft	.22	1
56	C6140W02782	Washer		2
57	C6140W02781	Gear		1
58	C6140W02306	Copper Sleeve		1
59	C6140W02783	Shaft IXb		1
60	GB72-M8x16	Slotted Set Screw	M8x16	1
63	GB6172-M20	Hex Flat Screw	M20	1
64	GB97.1-20	Washer	.20	1
65	GB70-M8x25	Hex Socket Cap Screws	M8x25	1
66	GB119-6m6x25	Pin	.6m6x25	1
67	C6140W02824	Positioning Shaft		1
68	GB3452.1-92-20x2.65	Ring Seal	.20x2.65	1
69	GB79-M8x14	Hex Socket Cap Screws	M8x14	1
70	C6140W02828	Pin Shaft		1
71	C6140W02140	Rocker		1
72	GB119-6n6x14	Pin	.6n6x14	1
73	C6140W02812	Roller		1
74	C6250B02142	Rocker		1
75	C6140W02119	Sliding Block		1
76	C6250B02142	Washer		1
77	GB3452.1-20x2.65	Ring Seal	.20x2.65	1
78	GB1096-12x50	Key	.12x50	1
79	GB1096-16x50	Key	.16x50	1
80	Q81-1-1x8x25	Spring	.1x8x25	1
81	GB68-M5x12	Recessed Sunk Head Screw	M5x12	1
82	C6140W02776	Adjusting Plug		1
83	6006-2KS/P6	Both Ends Sealed Bearing		1
84	GB13871-35x51x8	Seal	.35x51x8	1
85	GB70-M10x25	Hex Socket Cap Screws	M10x25	4
86	C6250B02117	Bearing Support		1
87	G51-2A-80x3.1	Ring Seal	.80x3.1	1
88	C6250B02779	Shaft X		1
89	C6140W02780	Gear		1
90	C6140W02793	Fork Shaft		1
91	C6140W02133	Fork		1
92	GB894.1-25	Circlip for Shaft	.25	1

Headstock Assembly III



Headstock Assembly III

Index No.	Part No.	Description	Size	Qty.
1	C6140W02752 (1/2)	Round Nut		1
2	GB77-M6x6	Hex Socket Set Screw	M6x6	1
3	C6140W02752 (2/2)	Clamping Block		1
4	B-2184	Belt		4
5	C6140W02113	Pulley		1
6	GB70-M10x25	Hex Socket Cap Screws	M10x25	4
7	C6140W02111	Bearing Support		1
8	GB3452.1-115x3.55	Ring Seal	115x3.55	1
9	BB-6208ZZ	Bearing	6208ZZ	2
10	C6140W02112	Sleeve		1
11	GB893.1-80	Circlip for Bore	80	1
12	C6140W02740	Sleeve		4
13	C6140W02749	Gear		1
14	C6140W02301	Collar		1
15	C6140W02748	Washer		2
15	C6140W02747	Washer		2
17	GB119-5x10	Pin	5x10	2
18	C6140W02746	Inner Friction Disk (forward 9 pcs and reverse 7 pcs)		16
19	C6140W02745	Outer Friction Disk (forward 8 pcs and reverse 6 pcs)		14
20	C6140W02741	Adjusting Nut		2
21	C6140W02742	Sleeve Nut		1
22	C6140W02744	Stop Pin		1
23	Q81-1-0.8x5x16	Spring	0.8x5x16	2
24	C6140W02736	Gear		1
25	C6140W02109	Sleeve		1
26	C6140W02108	Sleeve		1
27	GB894.1-40	Circlip for Shaft	40	1
28	GB1096-12x50	Key	12x50	1
29	C6140W02751	Shaft I		1
30	GB119-12x70	Pin	12x70	1
31	C6140W02732	Lever		1
32	GB119-5x40	Pin	5x40	1
33	GB1096-12x70	Key	12x70	1
34	GB119-8x25	Pin	8x25	1
35	C6140W02733	Clamping Ring		1
36	C6140W02743	Shaft		1
37	C6140W02730	Shaft connecting Oil Pump		1
38	GB70-M6x20	Hex Socket Cap Screws	M6x20	4
39	C6140W02106	Pump Support		1
40	GB1096-4x20	Key	4x20	1
41	DB-B4	Oil Pump		1
42	C6140W02765	Bolt		4
43	C6140W02754	Bearing Cover		1
44	6035/P6	Bearing	25x62x17	1
45	C6140W02131	Sleeve		1
46	C6140W02755	Gear		1
47	C6140W02756	Gear		1

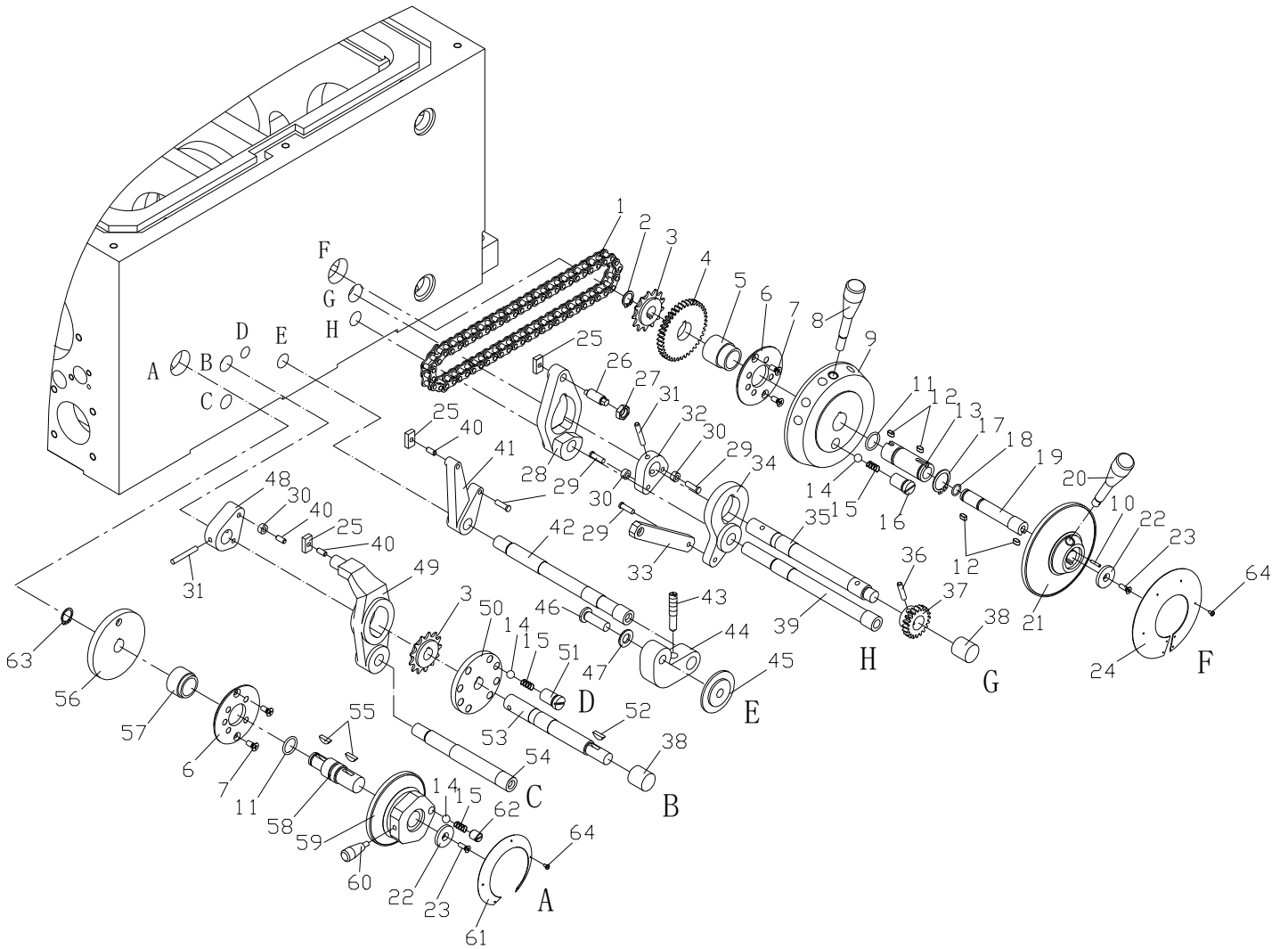
Headstock Assembly III

Index No.	Part No.	Description	Size	Qty.
48	C6140W02757	Gear		1
49	C6140W02758	Gear		1
50	C6140W02114	Sleeve		1
51	C6140W02753	Shaft II		1
52	6205/P6	Deep Groove Ball Bearing	.25x52x15	1
54	C6140W02734	Bearing Support		1
55	6306/P6	Bearing	.30x72x19	1
56	C6140W02727	Gear		1
57	C6250B02728	Shaft V		1
58	6307/P6	Bearing	.35x80x21	1
59	C6140W02726	Cover for Shaft V		1
60	C6140W02104	Stopper for Shaft V Hole		1
61	C6140W02717	Hex Socket Cap Screws		2
62	GB6173-M16x1.5	Hex Flat Nut	M16x1.5	1
63	C6140W02759	Bearing Cover		1
64	6306/P6	Bearing		1
65	C6140W02762	Washer		1
66	C6140W02764	Gear		1
67	C6140W02302	Copper Sleeve		1
68	C6140W02763	Washer		1
69	GB894.1-35	Circlip for Shaft	.35	1
70	C6140W02760	Gear		1
71	C6140W02761	Gear		1
72	GB1096-6x16	Key	6x16	1
73	C6140W02768	Gear		1
74	C6140W02769	Gear		1
75	C6140W02771	Double Gear		1
76	C6140W02770	Shaft III		1
77	C6140W02766	Bearing Cover		1
78	6308/P6	Deep Groove Ball Bearing	.40x90x23	3
79	C6250B02767	Gear		1
80	GB1099-6x22	Half Circle Key	6x22	1
81	C6140W02785	Shaft IV		1
82	C6140W02786	Gear		1
83	C6140W02787	Gear		1
84	C6140W02725	Double Gear		1
85	C6140W02750	Slide Sleeve		1
86	6005/P6	Bearing	.25x47x12	1
87	C6140W02724	Inner Gear		1
88	30209	Taper Roller Bearing	.45x85x19	1
89	C6140W02723	Washer		1
90	C6250B02719	Gear		1
91	C6140W02722	Connecting Plate		3
92	C6140W02721	Gear		1
93	GB1099-8x25	Half Circle Key	8x25	1
94	C6140W02720	Shaft VI		1
95	32308	Taper Roller Bearing	.40x90x33	1

Headstock Assembly III

Index	Part			
No.	No.	Description	Size	Qty.
96	C6140W02718	Couer for Shaft VI Hole		1
97	C6250B02103	Stopper for Shaft VI Hole		1
98	GB3452.1-82.5x3.55	Ring Seal	82.5x3.55	1
99	C6140W02729	Plug		1
100	GB3452.1-43.7x3.55	Ring Seal	43.7x3.55	1
101	GB3452.1-54.5x3.55	Ring Seal	54.5x3.55	1
102	GB3452.1-71x3.55	Ring Seal	71x3.55	1
103	GB3452.1-65x3.55	Ring Seal	65x3.55	1
104	GB119-6x8	Pin	6x8	1
109	BB-6208	Bearing	6208	1

Headstock Assembly IV



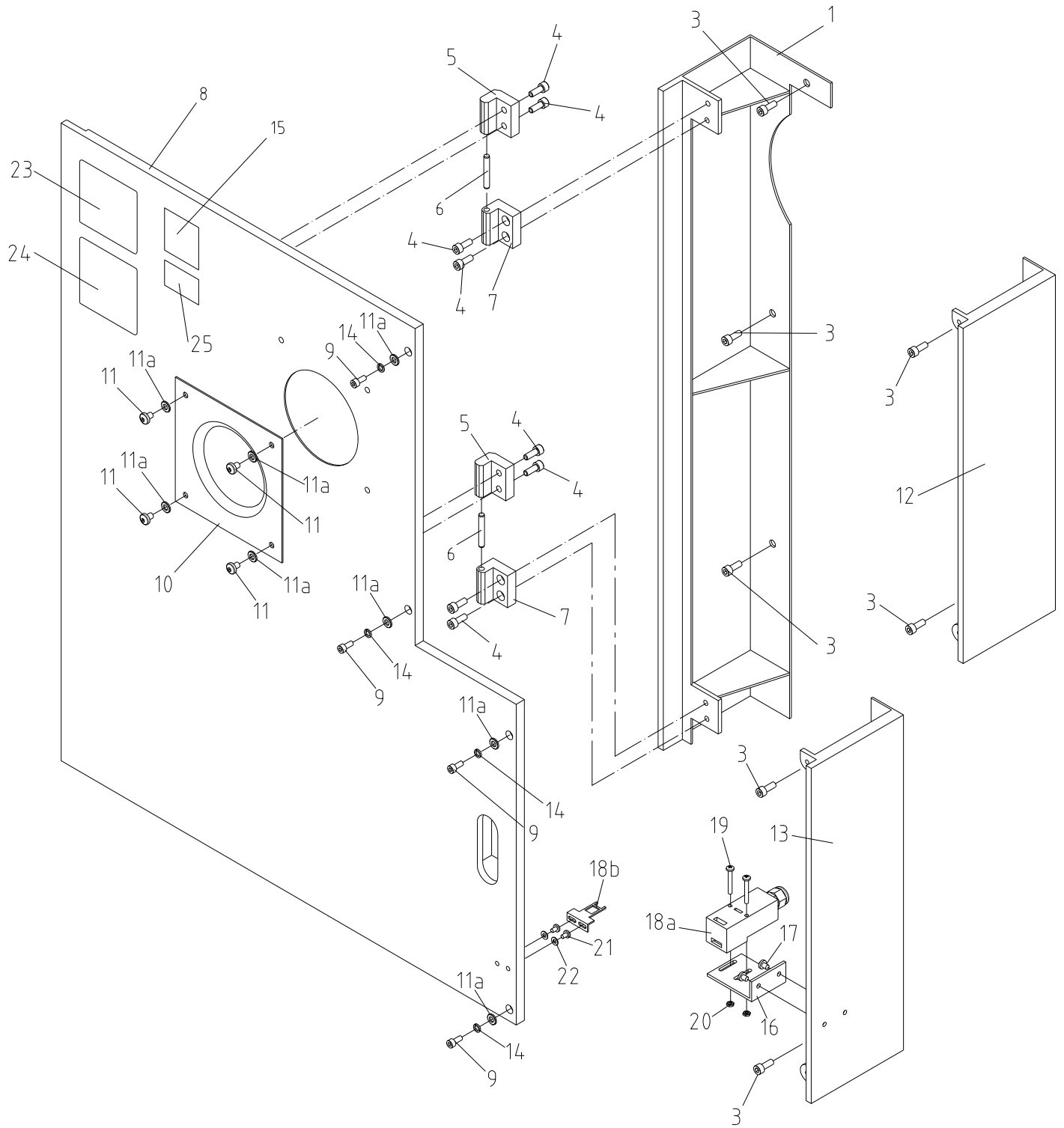
Headstock Assembly IV

Index No.	Part No.	Description	Size	Qty.
1	C6140W0HA01	Roller Chain	12.7x46	1
2	GB894.1-16	Circlip For Shaft	16	1
3	C6140W02808	Chain Wheel		2
4	C6140W02807	Gear		1
5	C6140W02806	Sleeve		1
6	C6140W02803	Positioning Sleeve		1
7	GB819-M6x14	Cross Recessed Head Screw	M6x14	8
8	C6140W02799-G	Lever		1
9	C6140W02122-G	Lever Support		1
11	GB3452.1-20x2.65	Ring Seal	20x2.65	1
12	GB1096-5x10	Key	5x10	4
13	C6140W02805	Sleeve		1
14	GB308-10	Steel Ball	10	1
15	Q81-1-YI-1.6x8x18	Spring	YI-1.6x8x18	1
16	C6140W02802	Positioning Sleeve		1
17	GB894.1-25	Circlip For Shaft	25	1
18	GB3452.1-12.5x1.8	Ring Seal	12.5x1.8	1
19	C6140W02804	Lever Shaft		1
20	C6140W02801-G	Lever		1
21	C6140W-02123-G	Lever Shaft		1
22	C6140W-02821-G	Washer		2
23	GB819-M5x16	Cross Recessed Head Screw	M5x16	1
24	C6140W02303	Speed Label (serial #1608ZH0809 and lower)		1
	C6250B02303-2	Speed Label (serial #1608ZH0810 and higher)		1
25	C6140W02119	Slide Block		4
26	C6140W02814	Eccentric Bolt		1
27	GB6173- M12x1.25	Hex Flat Screw	M12x1.25	1
28	C6140W02126	Cam Rocker		1
29	C6140W02813	Pin		4
30	C6140W02812	Roller		2
31	GB117-6x45	Taper Pin (serial #1209ZH0608 and lower)	6x45	2
	GB877-6x50	Taper Pin (serial #1301ZH0609 and higher)	6x50	2
32	C6140W02125	Rocker		1
33	C6250B02830	Connector		1
34	C6140W02124	Cam Rocker		1
35	C6140W02811	Shaft		2
36	GB117-6x30	Taper Pin (serial #1209ZH0608 and lower)	6x30	1
	GB877-6x35	Taper Pin (serial #1301ZH0609 and higher)	6x35	1
37	C6140W02809	Small Gear		1
38	C6140W02791	Collar		2
39	C6140W02810	Shaft		1
40	GB119-6n6x14	Pin	6n6x14	1
41	C6140W02139	Rocker		1
42	C6140W02827	Shaft		1
43	C6250B02846	Screw		1
44	C6250B02132	Rocker		1
45	C6140W02826	Tightening Wheel		1

Headstock Assembly IV

Index No.	Part No.	Description	Size	Qty.
46	C6140W02825	Pin		1
47	GB97.1-12	Washer	12	1
48	C6140W02120	Rocker		1
49	C6250B02121	Cam Rocker		1
50	C6140W02794	Positioning Disc		1
51	C6140W02802	Positioning Sleeve		2
52	GB1099-5x19	Half Circle Key	5x19	1
53	C6140W02792	Shaft		1
54	C6140W02795	Shaft		1
55	GB1099-5x19	Half Circle Key	5x19	2
56	C6140W02823	Cam		1
57	C6140W02803	Positioning Sleeve		2
58	C6140W02819	Control Shaft		1
59	C6140W02134-G	Lever Support		1
60	C6140W02822-G	Small Lever		1
61	C6140W02304	Label		1
62	GB73-M12x14	Slotted Set Screw	M12x14	1
63	GB894.1-18	Circlip For Shaft	18	1
64	GB818-M3x6	Cross Recessed Pan Head Screw (serial #1601ZH0793 and lower)		
			M3x6	13
	GB2672-M3x6	Screw (serial #1601ZH0794 and higher)	M3x6	13

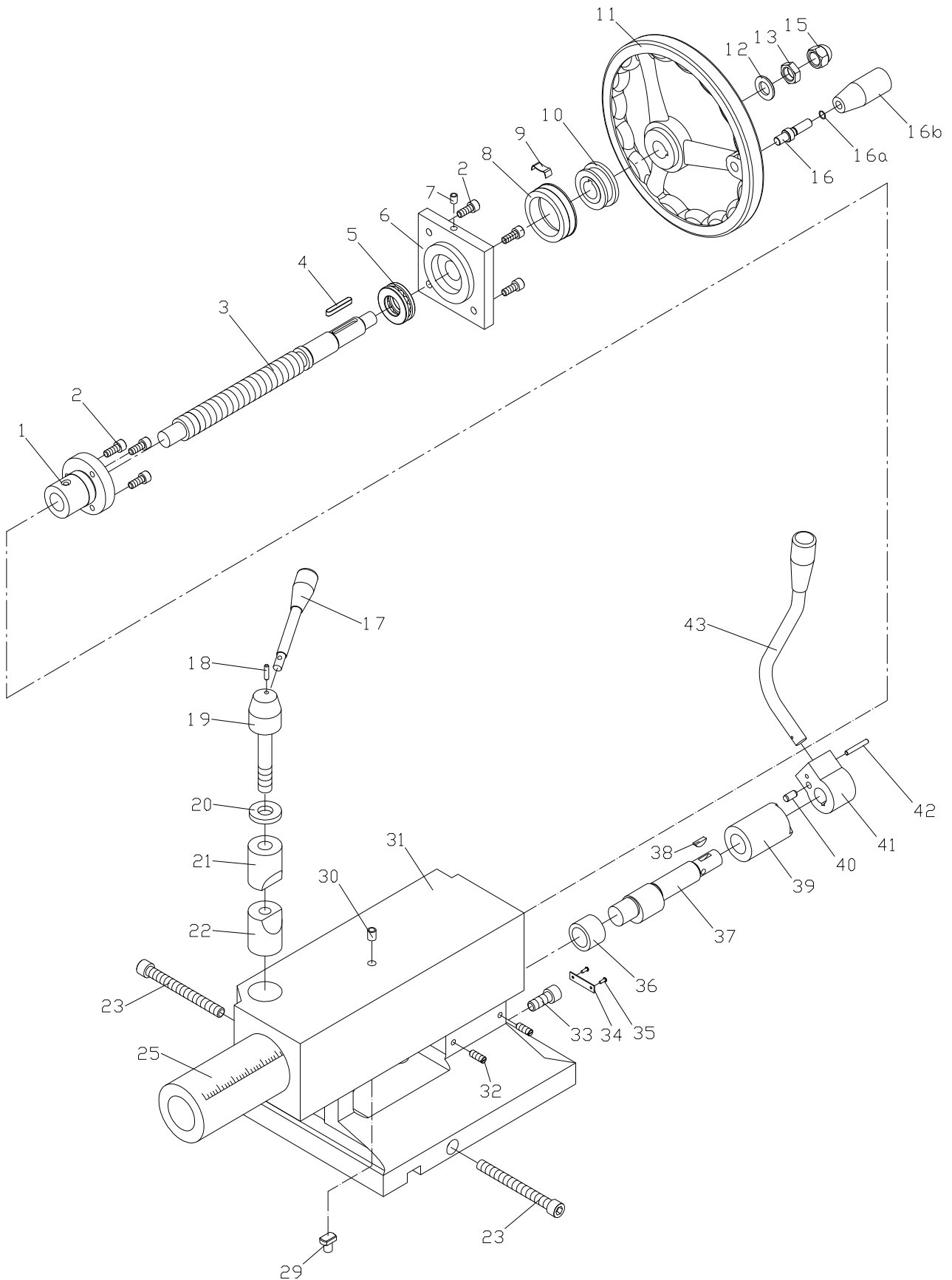
Headstock Assembly V



Headstock Assembly V

Index No.	Part No.	Description	Size	Qty.
1	C6250B02847-G	Rear Side Plate		1
3	GB70-M6x12	Hex Socket Cap Screw	M6x12	7
4	GB70-M6x16	Hex Socket Cap Screw	M6x16	8
5	C6266C08706	Upper Hinge		2
6	GB119-6h8x40	Pin	6h8x40	2
7	C6266C08707	Lower Hinge		2
8	C6250B02849-G	Back Cover		1
9	GB70-M6x25	Hex Socket Cap Screw	M6x25	4
10	C6250B02850-G	Cover		1
11	GB67-M6x10	Slotted Pan Head Screw (serial #1601ZH0793 and lower)	M6x10	4
	GB2672-M6x8	Screw (serial #1601ZH0794 and higher)	M6x8	4
11a	GB97.2-6	Washer	6	8
12	C6250B02848-G	Front Side Plate		1
13	C6140W02846-G	Plate		1
14	GB93-6	Spring Washer	6	4
15	GHB-1340A11304-12	Warning Label (serial #1608ZH0810 and higher)		1
16	C6266C18718	Bracket		1
17	GB818-M5x6	Cross Recessed Pan Head Screw	M5x6	2
18	ZH-SQ1	Door Switch Assembly	QKS8	1
18a		Door Switch	QKS8-1	1
18b		Door Switch	QKS8-2	1
19	GB818-M4x30	Cross Recessed Pan Head Screw	M4x30	2
20	GB6172-M4	Hex Nut	M4	2
21	GB818-M4x6	Cross Recessed Pan Head Screw	M4x6	2
22	GB97-4	Washer	4	2
23	C6250B05304	Label (serial #1608ZH0810 and higher)		1
24	C6250B05305	Label (serial #1608ZH0810 and higher)		1
25	GH-2040ZHK974	Label (For GH-2040ZH only)		1
	GH-2060ZHK975	Label (For GH-2060ZH only)		1
	GH-2080ZHK976	Label (For GH-2080ZH only)		1

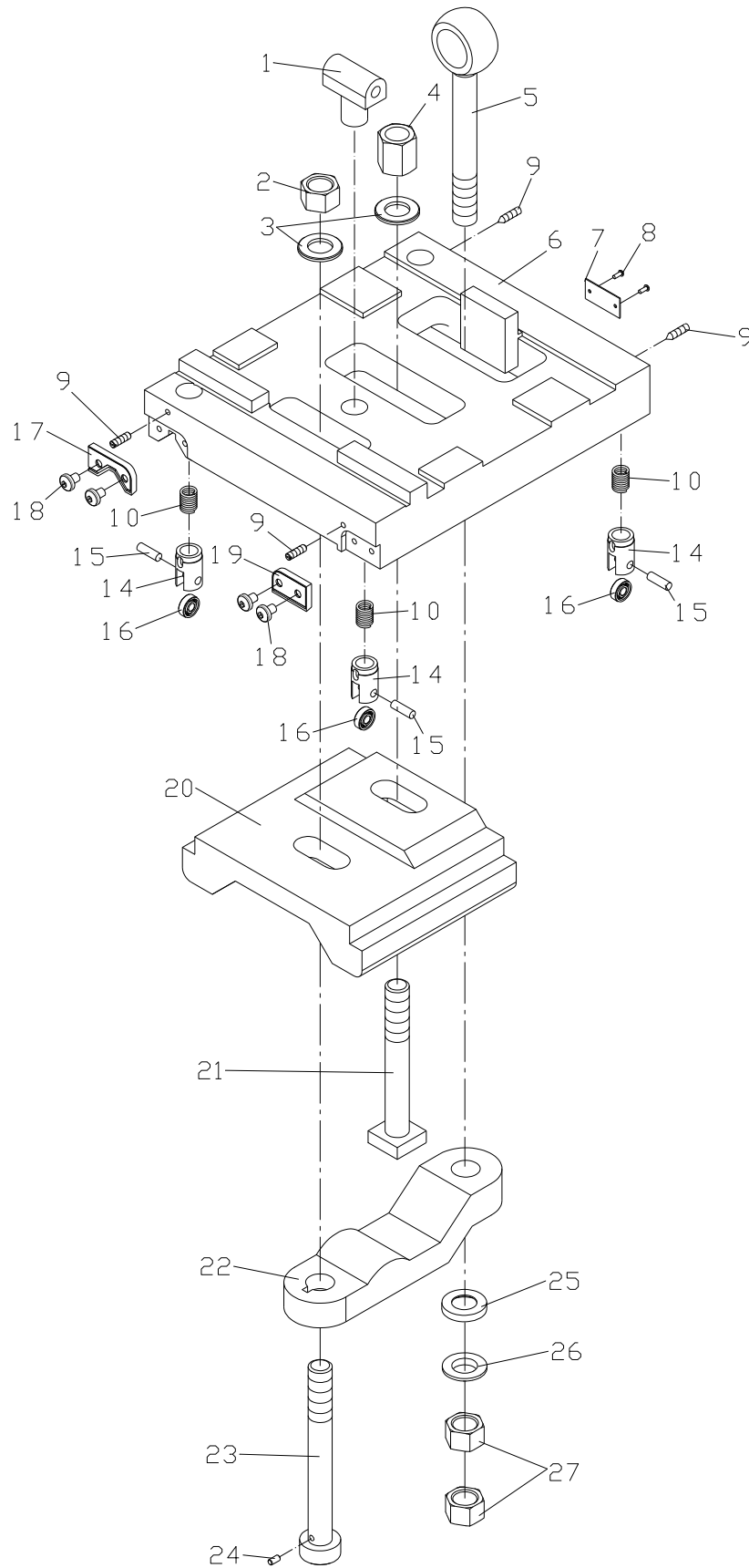
Tailstock Assembly I



Tailstock Assembly I

Index No.	Part No.	Description	Size	Qty.
1	GH1640ZX03105	Nut		1
2	GB70-M8x20	Hex Socket Cap Screw	M8x20	3
3	GH1840ZX03710	Lead Screw		1
4	GB1096-6x40	Plain Key	6x40	1
5	51205-25x47x15	Thrust Bearing	25x47x15	1
6	C6250B03105	Back Cover		1
7	GB1155-8	Oil Cup	8	1
8	GH1640ZX03708G	Dial		1
9	C613203711	Spring Leaf		1
10	1440R03706	Sleeve		1
11	C6140W03107A-G	Handlewheel		1
12	GB97.2-16	Flat Washer	16	1
13	GB6172-M16	Hex Flat Nut	M16	1
15	GB923-M16	Nut	M16	1
16	C6140W06766-G	Shaft		1
16a	GB895-10	Steel C-clip	10	1
16b	C6140W06765-G	Lever Sleeve		1
17	C6140W03710-G	Lever		1
18	GB117-5x20	Straight Pin	5x20	1
19	C6140W03715-G	Lever Support		1
20	C6140W03716	Washer		1
21	C6140W03717	Clamping Block		1
22	C6140W03718	Clamping Block		1
23	GB70-M12x120	Hex Socket Cap Screw (full thread)	M12x120	2
25	1860R03701A	Center Sleeve		1
29	1440R03702	Positioning Block		1
30	GB1155-10	Oil Cup	10	1
31	C6250B03101-G	Tailstock Casting		1
32	GB71-M8x25	Slotted Cylindrical End Set Screw	M8x25	2
33	GB70-M12x25	Hex Socket Cap Screw	M12x25	1
34	C063203303	Panel		1
35	GB867-3x8	Half Circle Rivet	3x8	2
36	C6140W03103	Sleeve		1
37	C6250B03704	Eccentric Shaft		1
38	GB117-6x45	Half Round Key	6x45	1
39	C6250B03103	Sleeve		1
40	GB119-8x15	Pin	8x15	1
41	C6250B03104-G	Lever Sleeve		1
42	GB117-5x40	Taper Pin	5x40	1
43	C6250B03705-G	Lock Handle		1

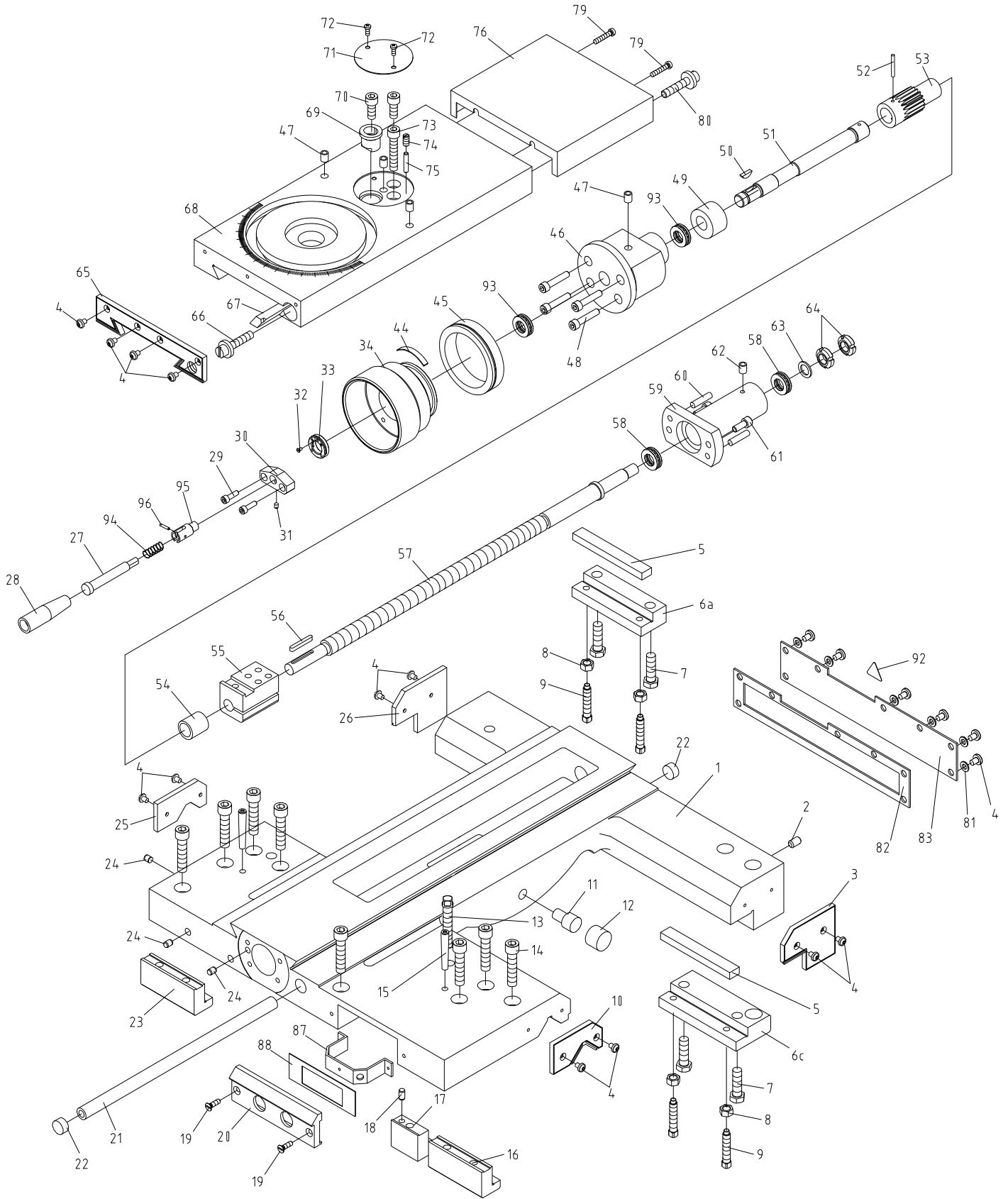
Tailstock Assembly II



Tailstock Assembly II

Index No.	Part No.	Description	Size	Qty.
1	C6140W03110	Nut		1
2	GB6171-M20x1.5	Hex Nut	M20x1.5	1
3	GB97.2-20	Flat Washer	.20	1
4	GB56-M20	Hex Thick Nut	M20	1
5	C6250B03703	Pulling Rod		1
6	C6250B03102-G	Sliding Base		1
7	C063203304	Sign Plate		1
8	GB867-3x8	Half Circle Rivet	.3x8	2
9	GB75-M6x16	Slotted Cylindrical End Set Screw	M6x16	4
10	GB2089-1.8x14x18	Spring (serial #1202ZH0520 and higher)		4
14	C6140W03713	Bearing Support (serial #1202ZH0520 and higher)		4
15	C6140W03714	Small Axle (serial #1202ZH0520 and higher)		4
16	607	Ball Bearing (serial #1202ZH0520 and higher)	.7x19x6	4
17	C6140W03502	Wipe Plate		1
18	GB67-M6x10	Slotted Pan Head Screw (serial #1601ZH0793 and lower)	M6x10	4
	GB2672-M6x10	Screw (serial #1601ZH0794 and higher)	M6x10	4
19	C6140W03503	Wipe Plate		1
20	C6140W03104-G	Clamping Block		1
21	C6250B03702	Screw		1
22	C6140W03111-G	Clamping Block		1
23	C6250B03701	Screw		1
24	GB119-5x10	Straight Pin	.5x10	1
25	GB850-20	Taper Washer	.20	1
26	GB849-20	Ball Washer	.20	1
27	GB6173-M20x1.5	Hex Nut	M20x1.5	2

Tool Post Assembly I



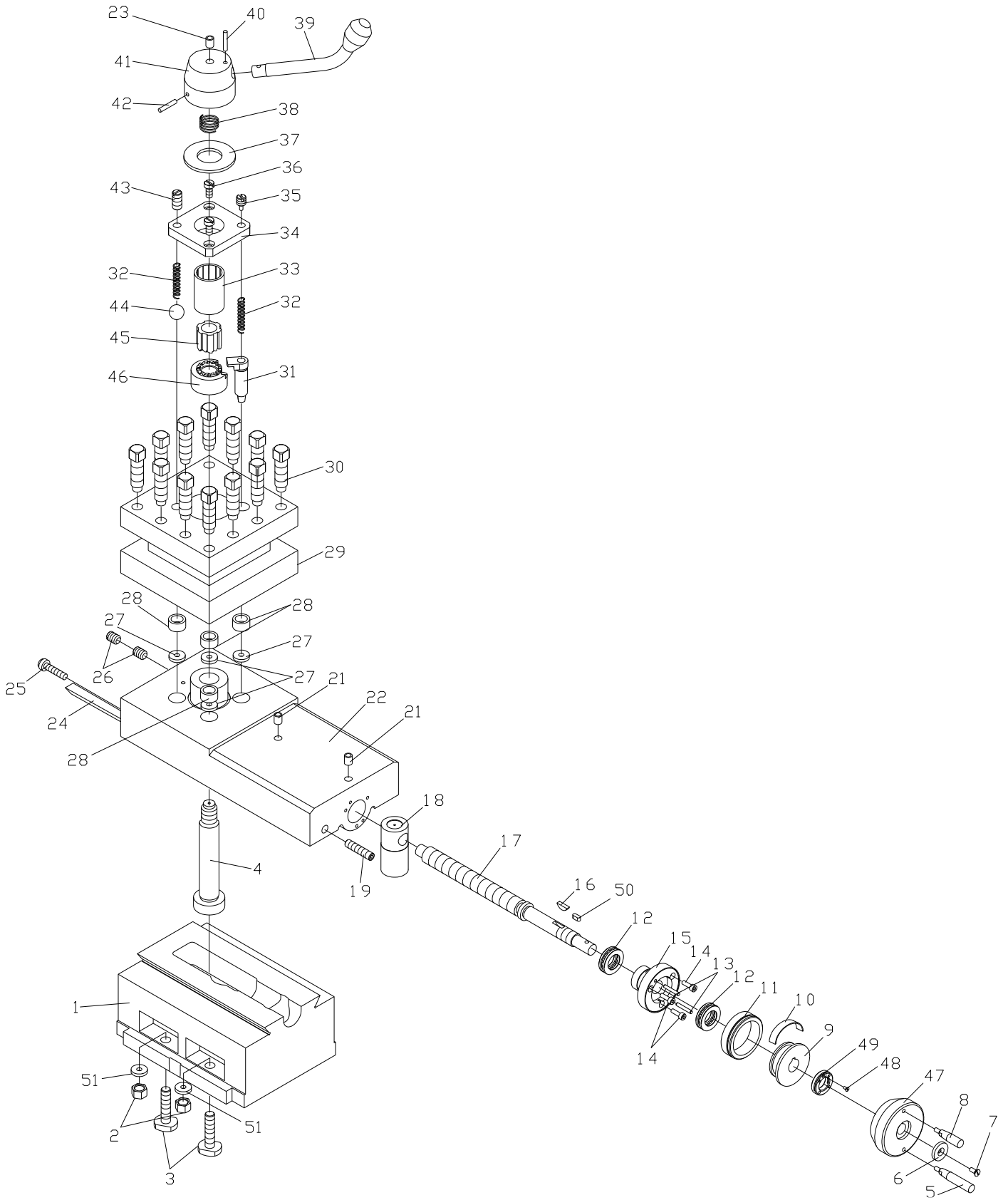
Tool Post Assembly I

Index No.	Part No.	Description	Size	Qty.
1	C6250B04101-G	Slide		1
2	GB73-M10x16	Slotted Set Screw	M10x16	1
3	C6140W04503	Wipe Plate		1
4	GB819-M5x16	Cross Recessed Flat Head Screw (serial #1601ZH0793 and lower)	M5x16	19
	GB2672-M5x16	Screw (serial #1601ZH0794 and higher)	M5x16	19
5	C6140W04107	Lining Plate		2
6a	C6140W04718	Clamping Plate		1
6c	C6140W04720	Clamping Plate		1
7	GB70-M12x45	Hex Socket Cap Screw	M12x45	4
8	GB6170-M10	Hex Nut	M10	4
9	GB85-M10x35	Square Set Screw	M10x35	4
10	C6140W04501	Wipe Plate		1
11	1660R04788A	Stop Pin		1
12	1440R04507	Stop Pin Cap		1
13	GB83-M12x70	Square Cap Bolt	M12x70	1
14	GB70-M12x55	Hex Socket Cap Screw	M12x55	8
15	GB119-8x70	Pin	8x70	2
16	C6140W04713	Front Clamping Plate		1
17	C6140W04712	Locking Plate		1
18	GB119-8n6x20	Pin	8n6x20	1
19	GB68-M6x22	Recessed Sunk Head Screw	M6x22	2
20	C6140W04715	Switch Seat		1
21	C6140W04711	Line Pipe		1
22	C6140W04106	Plug		2
23	C6140W04720	Back Clamping Block		1
24	GB119-8n6x10	Pin (serial #1601ZH0793 and lower)	8n6x10	3
	G38-3A-Z1/8"	Oil Plug Screw (serial #1601ZH0794 and higher)	Z1/8"	3
25	C6266C04505	Wipe Plate		1
26	C6140W04504	Wipe Plate		1
27	C6266C04756T-G	Lever Shaft (serial #1701ZH0833 and higher)		1
28	ZH-T27	Handle (serial #1611ZH0832 and lower)	598.7-KU-23	1
	C6266C04757T-G	Lever Sleeve (serial #1701ZH0833 and higher)		1
29	GB70-M6x20	Hex Socket Cap Screw (serial #1611ZH0832 and lower)	M6x20	2
	GB70-M6x18	Hex Socket Cap Screw (serial #1701ZH0833 and higher)	M6x18	2
30	C6266C04756J	Fixed Seat (serial #1611ZH0832 and lower)		1
	C6266C04756JA	Fixed Seat (serial #1701ZH0833 and higher)		1
31	GB70-M6x12	Hex Socket Cap Screw (serial #1611ZH0832 and lower)	M6x12	1
	GB71-M5x8	Hex Socket Set Screw With Flat Point (serial #1701ZH0833 and higher)	M5x8	1
32	GB68-M3x6	Slotted Head Screw (serial #0811ZH0352 and higher)	M3x6	1
33	C6266C04758T	Locking Nut (serial #0811ZH0352 and higher)		1
34	C6266C04755J-G	Handle Seat (serial #0811ZH0352 and higher)		1
44	C6266C04718	Spring Leaf		1
45	C6266C04735G (m)	Dial		1
46	C6250B04107	Screw Support (serial #0809ZH0351 and lower)		1
	C6250B04107J	Screw Support (serial #0811ZH0352 and higher)		1

Tool Post Assembly I

Index	Part			
No.	No.	Description	Size	Qty.
47	GB1155-6	Oil Cup	6	1
48	GB70- M8x20	Hex Socket Cap Screw (serial #0809ZH0351 and lower)	M8x20	4
	GB70- M8x40	Hex Socket Cap Screw (serial #0811ZH0352 and higher)	M8x40	4
49	C6250B04109	Sleeve		1
50	GB1099-5x19	Half Circle Key	5x19	1
51	C6250B04726	Shaft (serial #0809ZH0351 and lower)		1
	C6250B04726J	Shaft (serial #0811ZH0352 and higher)		1
52	GB117-4x35	Taper Pin	4x35	1
53	C6266C04705	Shaft		1
54	C6266C04103	Sleeve		1
55	C6140W04301Y (m)	Nut		1
56	GB1096-5x40	Flat Key	5x40	1
57	C6266C04701 (m)	Lead Screw		1
58	51103	Thrust Bearing	17x30x9	2
59	C6266C04110-G	Bracket		1
60	GB117-8x30	Taper Pin	8x30	2
61	GB70-M8x20	Hex Socket Cap Screw	M8x20	2
62	GB1155-6	Oil Cup	6	1
63	C6266C04702	Washer		1
64	GB812-M14x1.5	Round Nut	M14x1.5	2
65	C6140W04506	Wipe Plate		1
66	C6266C04727	Gib Setting Screw		1
67	C6250B04728	Cross Slide Gib		1
68	C6250B04102	Cross Slide		1
69	C6250B04701	Sleeve		1
70	GB70-M10x25	Hex Socket Cap Screw	M10x25	2
71	C6140W04714	Cover		1
72	GB818-M5x8	Cross Recessed Pan Head Screw	M5x8	2
73	GB70-M10x55	Hex Socket Cap Screw	M10x55	1
74	GB73-M8x20	Slotted Set Screw	M8x20	1
75	GB119-6x35	Pin	6x35	1
76	C6256C04703-G	Splash Guard		1
79	GB65-M6x30	Slotted Socket Cap Screw	M6x30	2
80	C6266C04727	Gib Adjusting Screw		2
81	GB97.2-5	Washer	5	7
82	C6266C04502A	Liner		1
83	C6266C04729A-G	Cover Plate		1
84	C6266CCA84	Turcite-B (not shown)	620x50x0.8	1
85	C6266CCA85	Turcite-B (not shown)	620x30x0.8	2
86	51104	Bearing (serial #1204ZH0543 and higher)		2
87	C6140W18501	Bracket		1
88	C6266C18502	Gasket		1
92	C613618302	Electrical Warning Label		1
93	51104	Thrust Bearing		2
94	Q81-1-1.4x13x48	Spring (serial #1701ZH0833 and higher)	1.4x13x48	1
95	C6266C04755T-G	Sleeve (serial #1701ZH0833 and higher)		1
96	GB119-3x16	Pin (serial #1701ZH0833 and higher)	3x16	1

Tool Post Assembly II



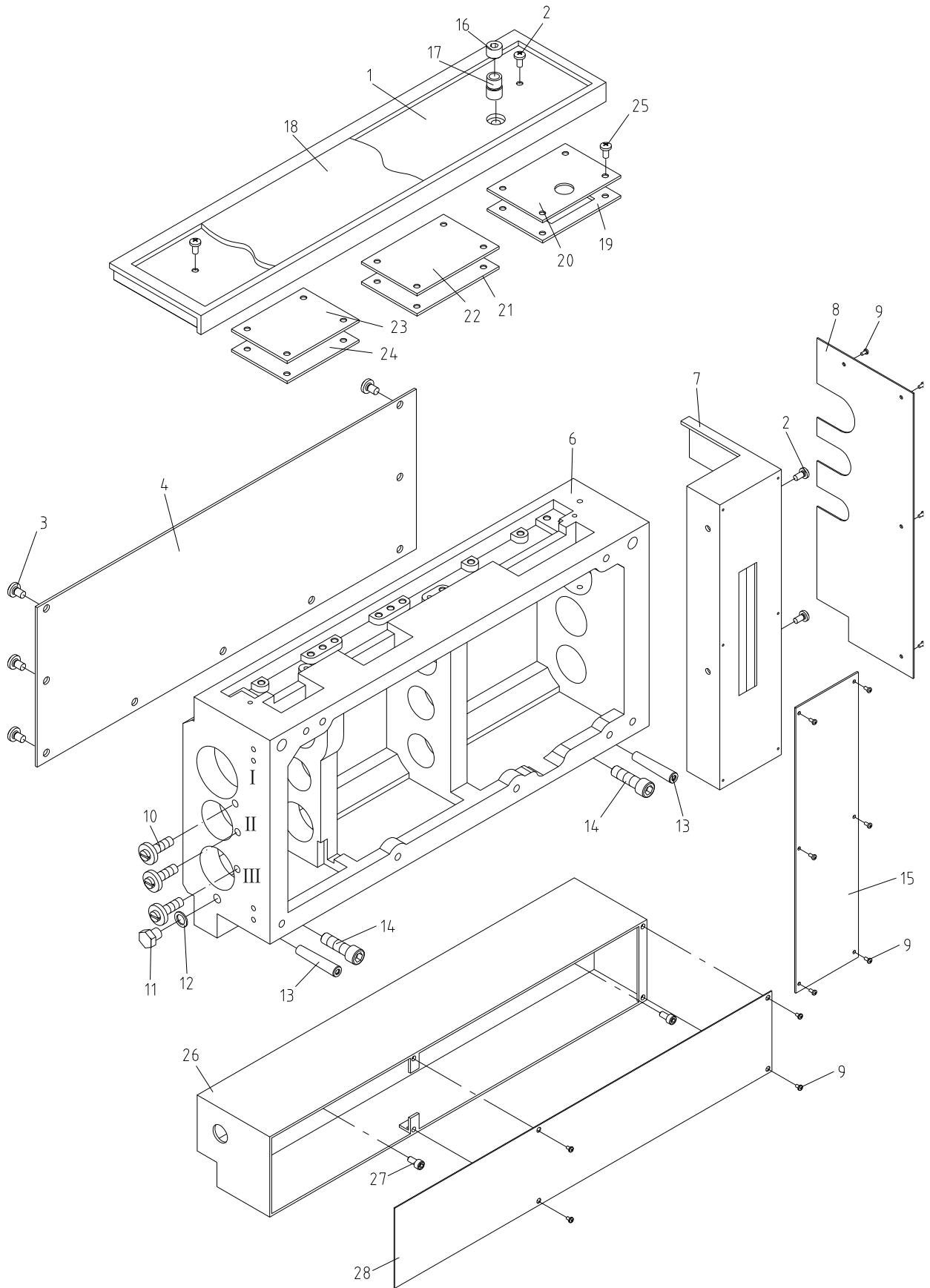
Tool Post Assembly II

Index No.	Part No.	Description	Size	Qty.
1	C6250B04103	Revolving Plate		1
2	GB6170-M12	Hex Nut	M12	4
3	C6250B04702	Compound Screw		4
4	C6266C04707	Shaft		1
5	C6140W04737	Handle (serial #0809ZH0351 and lower)		1
	C6266C04758J-G	Handle (serial #0811ZH0352 and higher)		1
6	GB891-B25	Shaft End Ring (serial #0811ZH0352 and higher)	B25	1
7	GB117-5x30	Taper Pin (serial #0809ZH0351 and lower)	5x30	1
	GB819-M5 x 12	Cross Recessed Head Screw (serial #0811ZH0352 and higher)	M5x12	1
8	C6140W04737	Handle (serial #0809ZH0351 and lower)		1
	C6266C04757J-G	Handle (serial #0811ZH0352 and higher)		1
9	C6140W04110	Dial		1
10	C6140W04739	Spring Leaf		1
11	C6266C04736G (m)	Dial		1
12	51104	Thrust Bearing	20x35x10	2
13	GB117-4x25	Taper Pin	4x25	2
14	GB70-M5x14	Hex Socket Cap Screw	M5x14	3
15	C6140W04111	Bearing		1
16	GB1099-5x7.5x19	Half Circle Key	5x7.5x19	1
17	C6140W04741 (m)	Lead Screw (serial #0809ZH0351 and lower)		1
	C6266C04734J	Lead Screw (serial #0811ZH0352 and higher)		1
18	C6266C04301Y (m)	Nut		1
19	GB77-M12x70	Hexagon Socket Set Screws	M12x70	1
21	GB1155-10	Oil Cup	10	2
22	C6250B04104	Longitudinal Slide		1
23	GB1155-6	Oil Cup	6	1
24	C6266C04717	Slide Gib		1
25	C6266C04716	Adjust Screw		1
26	GB73- M10x20	Slotted Set Screw	M10x20	2
27	C6140W04727	Washer		4
28	C6140W04728	Positioning Sleeve		4
29	C6266C04708	Tool Post (serial #0809ZH0351 and lower)		1
	C6266C04708J	Tool Post (serial #0811ZH0352 and higher)		1
30	GB83-M16x50	Square Cap Bolt	M16x50	12
31	C6266C04715	Positioning Pin		1
32	Q81-1-1.6x8x98	Spring	1.6x8x98	2
33	C6266C04712	Spline		1
34	C6266C04709	Flange Disc		1
35	C6140W04732	Bolt		1
36	GB70-M8x16	Hex Socket Cap Screw	M8x16	2
37	C6266C04710	Adjust Washer		1
38	Q81-1-3x32x55	Spring	3x32x55	1
39	C6266C04711-G	Handle		1
40	GB119-5n6x32	Pin	5n6x32	1
41	C6266C04106-G	Lever Support		1
42	GB117-4x40	Taper Pin	4x40	1

Tool Post Assembly II

Index	Part			
No.	No.	Description	Size	Qty.
43	GB73-M12x14	Slotted Set Screw	M12x14	1
44	GB308-19	Ball	19	1
45	C6266C04713	Connector		1
46	C6266C04714	Connector		1
47	C6140W04738	Lever (serial #0809ZH0351 and lower)		1
	C6266C04752JA-G	Handle Seat (serial #0811ZH0352 and higher)		1
48	GB812-M18x1.5	Round Nut (serial #0809ZH0351 and lower)	M18x1.5	1
	GB68-M3×6	Slotted Head Screw (serial #0811ZH0352 and higher)	M3×6	1
49	GB812-M18x1.5	Round Nut (serial #0809ZH0351 and lower)	M18x1.5	1
	C6266C04758J	Locking Nut (serial #0811ZH0352 and higher)		1
50	GB1096-5×12	Flat Key (serial #0811ZH0352 and higher)	5×12	1
51	GB97.2-12	Washer	12	4

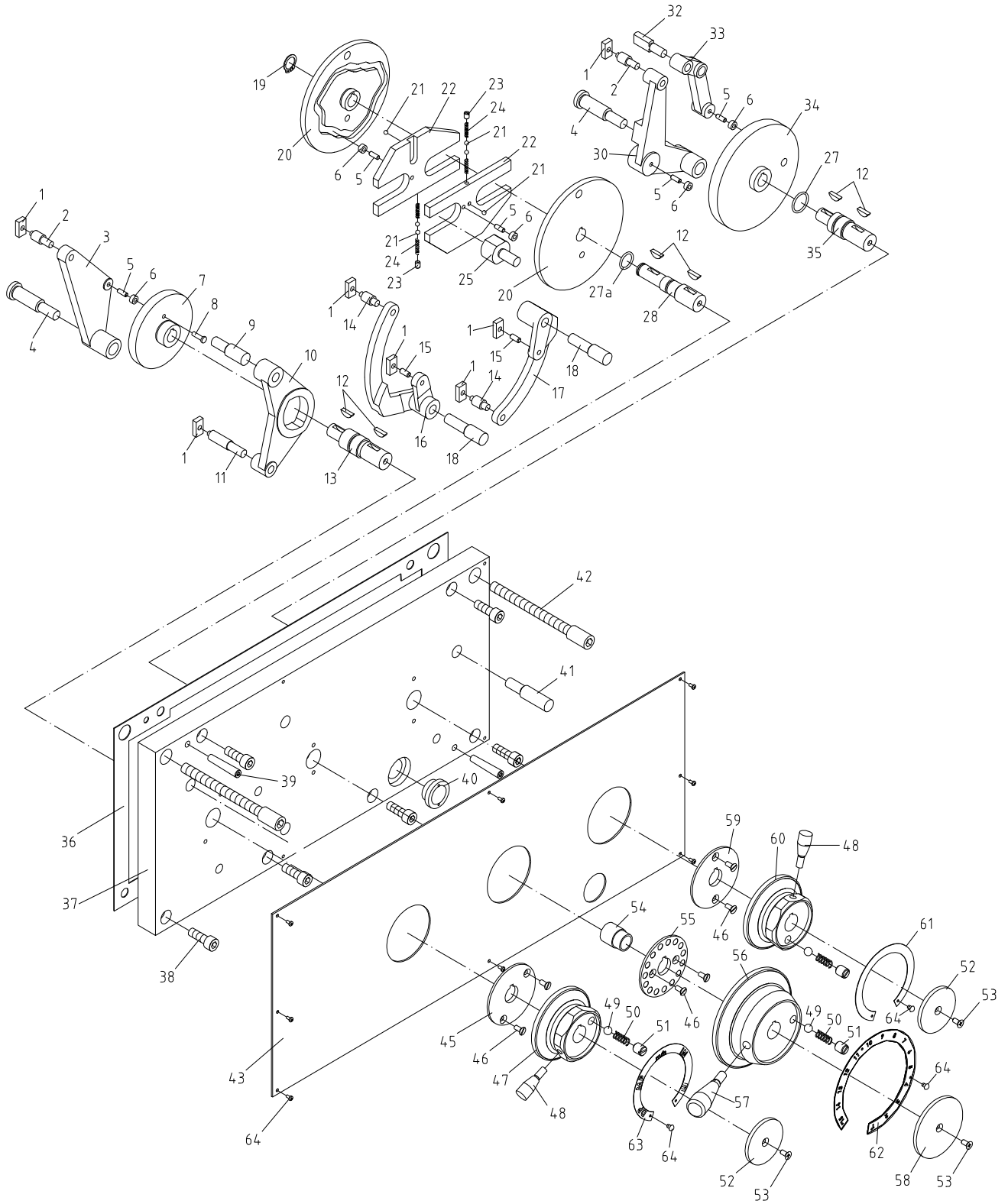
Gear Box Assembly I



Gear Box Assembly I

Index No.	Part No.	Description	Size	Qty.
1	C6140W05129-G	Upper Cover		1
2	GB70-M6x40	Hex Socket Cap Screw	M6x40	2
3	GB818-M8x12	Cross Recessed Pan Head Screws	M8x12	9
4	C6140W05A729-G	Back Cover		1
6	C6140W05A101-G	Feed Box Casting		1
7	C6140W05766-G	Casting		1
8	C6140W05765-G	Side Splash Guard		1
9	GB818-M3x6	Screw (serial #1601ZH0793 and lower)	M3x6	10
	GB2672-M3x6	Screw (serial #1601ZH0794 and higher)	M3x6	10
10	C6140W05A728	Bolt With Washer		3
11	G38-2A-M12x1.25	Bolt	M12x1.25	1
12	G52-1-12	Washer	12	1
13	GB118-10x60	Taper Pin	10x60	2
14	GB70-M12x40	Hex Socket Cap Screw	M12x40	2
15	C6140W05303	Panel (serial #1608ZH0809 and lower)		1
	C6250B05303-5	Panel (serial #1608ZH0810 and higher)		1
16	G38-4-M16x1.5	Plug	M16x1.5	1
17	C6140W05770	Oil Pipe		1
18	C6140W05503	Rubber Mat		1
19	C6266C05502	Gasket		1
20	C6140W05773	Cover		1
21	C6266C05502	Gasket		1
22	C6266C05768	Cover		1
23	C6140W05772	Cover		1
24	C6140W05501	Gasket		1
25	GB818-M6x12	Cross Recessed Pan Head Screw	M6x12	12
26	C6140W05726-G	Button Bracket		1
27	GB70-M6x12	Hex Socket Cap Screw	M6x12	2
28	C6250B18301	Operation Face Plate (serial #1608ZH0809 and lower)		1
	C6250B18301-1	Operation Face Plate (serial #1608ZH0810 and higher)		1

Gear Box Assembly II



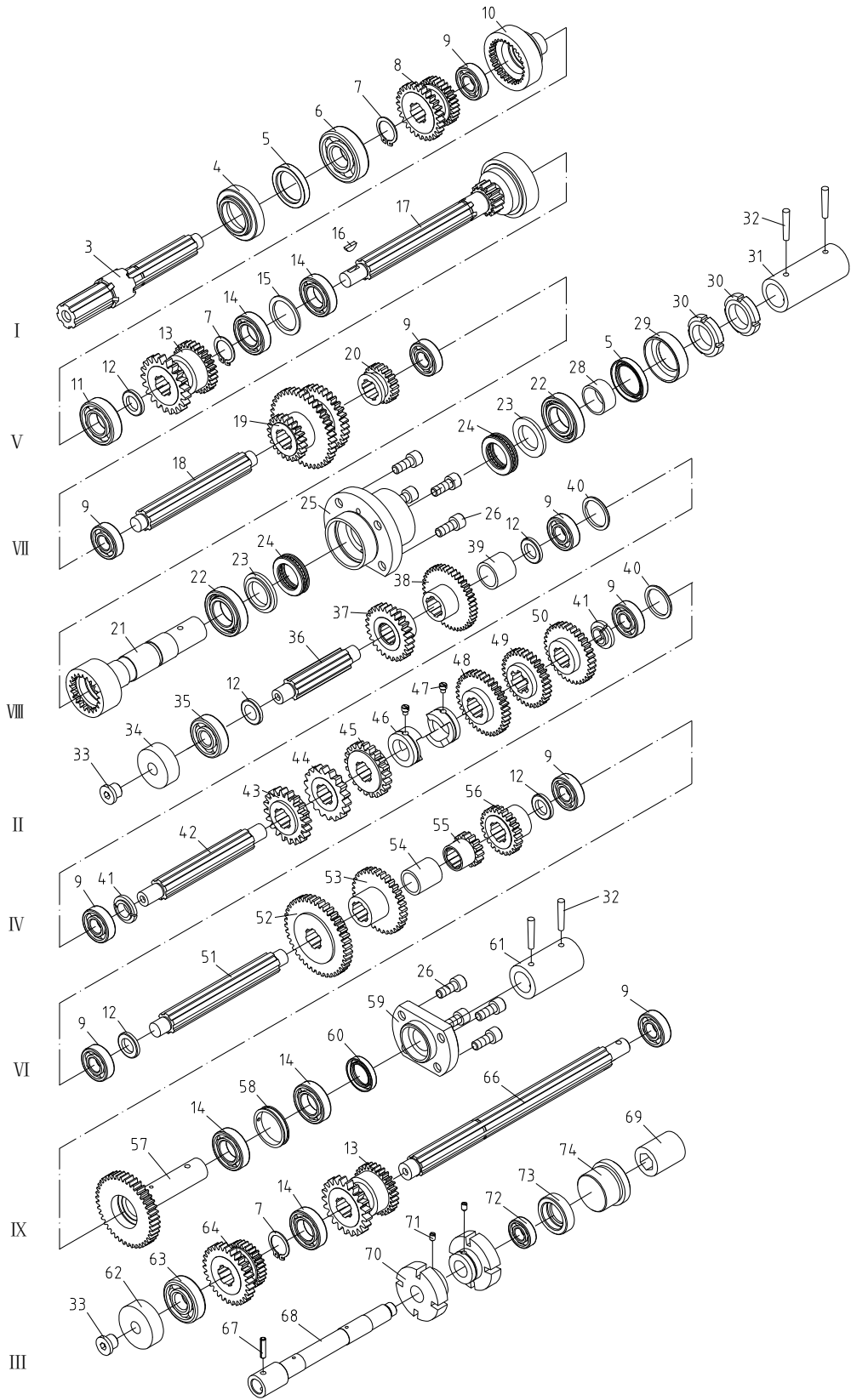
Gear Box Assembly II

Index No.	Part No.	Description	Size	Qty.
1	C6140W05109	Sliding Block		7
2	C6140W05A701	Shaft		2
3	C6140W05105	Ratio Change Rocker		1
4	C6140W05709	Rocker Shaft		2
5	GB119-5x14	Pin	5x14	5
6	C6140W05720	Roller		6
7	C6140W05708	Cam		1
8	C6140W05A703	Roller Shaft		1
9	C6140W05702	Shaft		1
10	C6140W05103	Rocker		1
11	C6140W05A710	Shaft		1
12	GB1099-5x19	Key	5x19	6
13	C6140W05707	Shaft		1
14	C6140W05A711	Shaft		2
15	GB119-6x14	Pin	6x14	2
16	C6140W05110	Shaft		1
17	C6140W05106	Upper Rocker		1
18	C6140W05712	Shaft		2
19	GB894.1-16	C-clip For Shaft	16	1
20	C6140W05A717	Cam		2
21	GB308-5	Steel Ball	5	6
22	C6140W05A719	Pulley		2
23	GB73-M6x8	Set Screw	M6x8	2
24	Q81-1-0.6x4x20	Spring	0.6x4x20	4
25	C6140W05A718	Positioning Column		1
27	G51-2A-25x2.4	Ring Seal	25x2.4	2
27a	G51-2A-16x2.4	Ring Seal	16x2.4	1
28	C6140W05A716	Handle Axle		1
30	C6140W05112	Rocker		1
32	C6140W05A722	Shaft		1
33	C6140W05111	Rocker		1
34	C6140W05A725	Cam		1
35	C6140W05A723	Shaft		1
36	C6140W05A501	Washer		1
37	C6140W05A115-G	Front Cover		1
38	GB70-M10x30	Hex Socket Cap Screw	M10x30	6
39	GB118-8x50	Pin	8x50	2
40	C6266CGBA40	Oil Sight Glass	M27x1.5	1
41	C6140W05721	Shaft		1
42	C6140W05727	Hex Socket Cap Screw		1
43	C6140W05301-6	Panel (serial #1608ZH0809 and lower)		1
	C6250B05301-11	Panel (serial #1608ZH0810 and higher)		1
45	C6140W05A704	Positioning Disc		1
46	GB68-M5x12	Recessed Sunk Head Screw	M5x12	6
47	C6140W05A104-G	Lever Support		1
48	C6140W05705-G	Lever		2
49	GB308-10	Steel Ball	10	3

Gear Box Assembly II

Index No.	Part No.	Description	Size	Qty.
50	Q81-1-1x8x25	Spring	1x8x25	3
51	GB73-M12x14	Slotted Set Screws	M12x14	3
52	C6140W05706-G	Disk		2
53	GB819-M5x12	Cross Recessed Head Screws	M5x12	3
54	C6140W05A108	Sleeve		1
55	C6140W05A713	Positioning Disc		1
56	C6140W05A107-G	Lever Support		1
57	C6266C05714-G	Lever		1
58	C6140W05715-G	Cover		1
59	C6140W05A724	Positioning Disc		1
60	C6140W05A104-G	Lever Support		1
61	C6140W05308	Handle Panel (serial #1608ZH0809 and lower)		1
	C6140W05308-3	Handle Panel (serial #1608ZH0810 and higher)		1
62	C6140W05A307	Handle Panel (serial #1608ZH0809 and lower)		1
	C6140W05A307-2	Handle Panel (serial #1608ZH0810 and higher)		1
63	C6140W05306	Handle Panel (serial #1608ZH0809 and lower)		1
	C6140W05306-2	Handle Panel (serial #1608ZH0810 and higher)		1
64	GB818-M3x6	Cross Recessed Pan Head Screw (serial #1601ZH0793 and lower)		
			M3x6	17
	GB2672-M3x6	Screw (serial #1601ZH0794 and higher)	M3x6	17

Gear Box Assembly III



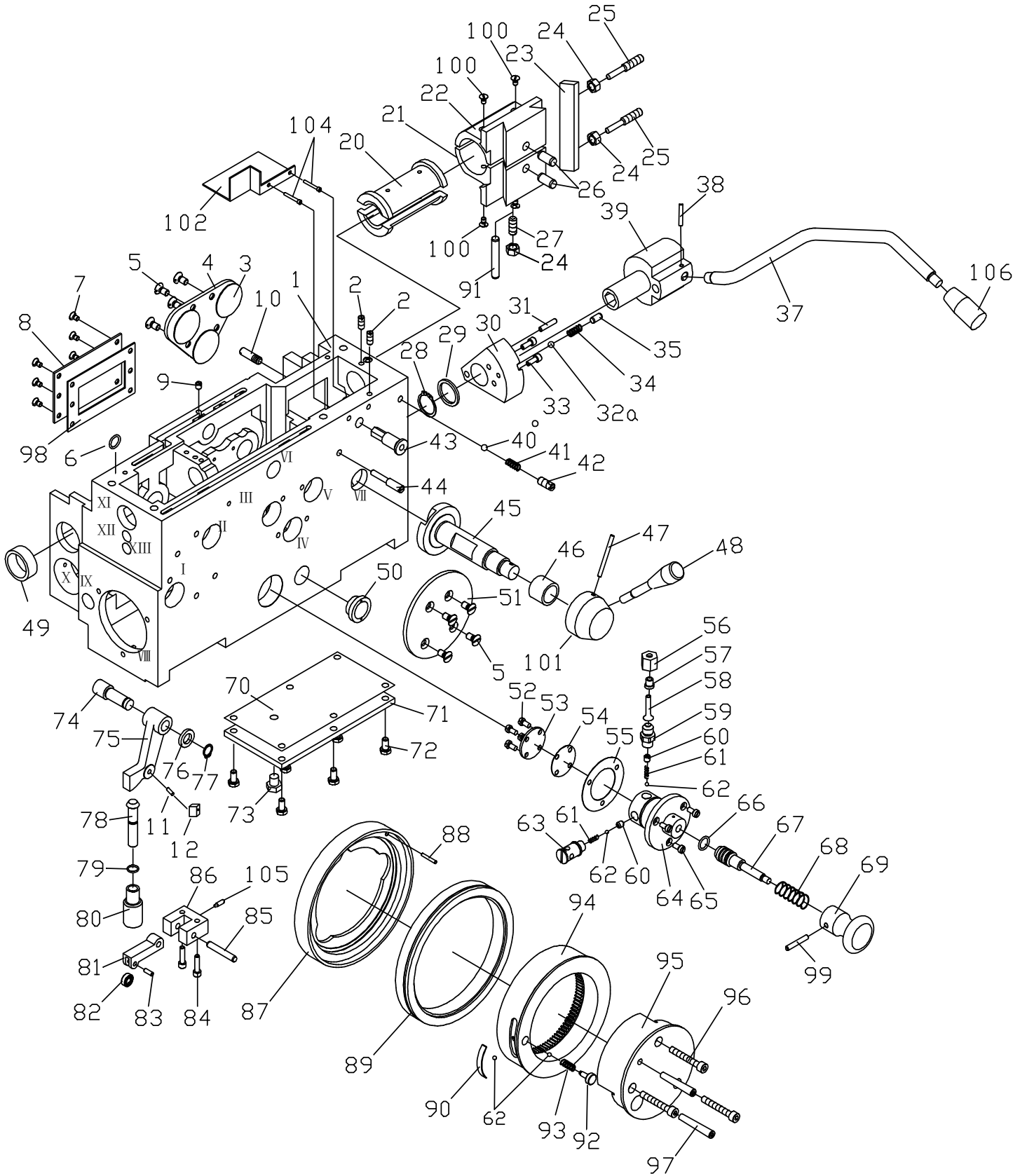
Gear Box Assembly III

Index No.	Part No.	Description	Size	Qty.
3	C6140W05A730	I Shaft		1
4	C6140W05A116	Bearing Cover (serial #0808ZH0339 and lower)		1
	C6266C05772J	Bearing Cover (serial #0809ZH0340 and higher)		1
5	G51-1-35	Oil Seal (serial #0808ZH0339 and lower)	.35	2
	G51-1-B-35x50x8	Oil Seal (serial #0809ZH0340 and higher)	B-35x50x8	2
6	6305	Bearing	.25x62x17	1
7	GB894.1-25	C-clip For Shaft	.25	3
8	C6140W05731	Double Gear		1
9	6203	Bearing	.17x40x12	9
10	C6140W05732	Gear		1
11	6205	Bearing	.25x52x15	1
12	C6140W05A769	Washer		5
13	C6140W05733	Double Gear		2
14	6005	Bearing	.25x47x12	5
15	C6140W05736	Sleeve		1
16	GB1099-4x19	Key	.4x19	1
17	C6140W05A735	V Shaft		1
18	C6140W05A738	VII Shaft		1
19	C6140W05737	Triple Gear		1
20	C6140W05739	Gear		1
21	C6140W05743	VIII Shaft		1
22	16006	Bearing	.30x55x9	2
23	C6140W05740	Sleeve		2
24	51106	Bearing	.30x47x11	2
25	C6140W05117-G	Flange Sleeve		1
26	GB70-M10x25	Hex Socket Cap Screw	M10x25	8
28	C6140W05A118	Sleeve (serial #0808ZH0339 and lower)		1
	C6266C05773J	Sleeve (serial #0809ZH0340 and higher)		1
29	C6140W05A741	Bearing Cover (serial #0808ZH0339 and lower)		1
	C6266C05741J	Bearing Cover (serial #0809ZH0340 and higher)		1
30	C6140W05742	Round Nut		2
31	C6140W05767	Shaft		1
32	GB117-6x40	Taper Pin	.6x40	4
33	G38-4A-M16x1.5	Plug	M16x1.5	2
34	C6140W05A771	Bearing Cover		1
35	6303	Bearing	.17x47x14	1
36	C6140W05A762	II Shaft		1
37	C6140W05763	Gear		1
38	C6140W05764	Gear		1
39	C6140W05125	Sleeve		1
40	C6140W05751	Sleeve		2
41	C6140W05A752	Adjust Washer		2
42	C6140W05A754	IV Shaft		1
43	C6140W05A759	Gear		1
44	C6140W05758	Gear		1
45	C6140W05757	Gear		1

Gear Box Assembly III

Index No.	Part No.	Description	Size	Qty.
46	C6140W05A734	Positioning Sleeve		2
47	GB75-M8x10	Slotted Set Screws	M8x10	2
48	C6140W05756	Gear		1
49	C6140W05755	Gear		1
50	C6140W05753	Gear		1
51	C6140W05A749	Shaft (VI)		1
52	C6140W05750	Gear		1
53	C6140W05A748	Gear		1
54	C6140W05A124	Sleeve		1
55	C6140W05747	Gear		1
56	C6140W05746	Gear		1
57	C6140W05745	IX Shaft		1
58	C6140W05A744	Sleeve		1
59	C6140W05A121	Flange Sleeve (serial #0808ZH0339 and lower)		1
	C6266C05121W	Flange Sleeve (serial #1601ZH0793 and lower)		1
	C6140W05A121-G	Flange Sleeve (serial #1601ZH0794 and higher)		1
60	G51-1-25	Oil Seal (serial #0808ZH0339 and lower)	.25	1
	G51-1-B-25x40x7	Oil Seal (serial #0809ZH0340 and higher)	B-25x40x7	1
61	C6140W05768	Shaft Connector		1
62	C6140W05A770	Bearing Cover		1
63	6304	Bearing	.20x52x15	1
64	C6140W05761	Double Gear		1
66	C6140W05A760	III Shaft (serial #0808ZH0339 and lower)		1
	C6266C05760W	III Shaft (serial #1601ZH0793 and lower)		1
	C6140W05A760	III Shaft (serial #1601ZH0794 and higher)		1
67	GB894.1-17	C-clip For Shaft (serial #0808ZH0339 and lower)	17	1
	GB879-6x25	Straight Pin (serial #0809ZH0340 and higher)	6x25	1
68	C6140W05A123	Sleeve (serial #0808ZH0339 and lower)		1
	C6266C05770W	Shaft (serial #1601ZH0793 and lower)		1
	C6140W05A772	Shaft (serial #1601ZH0794 and higher)		1
69	C6140W05122	Sleeve		1
70	C6266C05130J	Oil Splash Ring (serial #0809ZH0340 and higher)		2
71	GB78-M6×12	Slotted Set Screw (serial #0809ZH0340 and higher)	M6×12	2
72	6002	Bearing (serial #0809ZH0340 and higher)	15×32×9	1
73	C6266C05774J	Sleeve (serial #0809ZH0340 and higher)		1
74	C6266C05123J	Sleeve (serial #0809ZH0340 and higher)		1
75	GB77-M6×12	Slotted Set Screw (serial #0809ZH0340 and higher)	M6×12	2

Apron Assembly I



Apron Assembly I

Index No.	Part No.	Description	Size	Qty.
1	C6266C06101-G	Apron Casting		1
2	GB71-M8x10	Set Screw	M8x10	2
3	C6266C06506	Gasket		1
4	C6140W06750	Back Cover		1
5	GB819-M8x16	Cross Recessed Countersunk Head Screw	M8x16	8
6	GB3452.1-8.75x1.8G	Ring Seal	8.75x1.8G	1
7	GB68-M6x10	Slotted Head Screw	M6x10	4
8	C6140W06731	Cover		1
9	GB71-M6x10	Slotted Set Screw	M6x10	1
10	GB878-10x35	Parallel Pins With External Thread	10x35	1
11	GB1096-6x14	Pin	6x14	1
12	C6140W06715	Block		1
20	C6140W06302Y	Half Nut (For Metric style)		1
21	C6140W06107	Lower Nut		1
22	C6140W06108	Upper Nut		1
23	C6140W06759	Gib		1
24	GB6170-M10	Hex Nut	M10	2
25	C6140W06758	Cylindrical End Set Screw		2
26	GB119-12x25	Pin	12x25	2
27	GB73-M10x25	Slotted Set Screw	M10x25	1
28	GB894.1-30	C-clip For Shaft	30	1
29	C6140W06755	Spacer		1
30	C6266C06105-G	Positioning Block(serial # 1905ZH0995 and lower)		1
	C6266C06731	Positioning Block(serial # 1907ZH1018 and higher)		1
	C6266C06731	Positioning Block(serial # 2002ZH1087 and lower)		1
	C6266C06731A	Positioning Block(serial # 2004ZH1088 and higher)		1
31	GB117-6x35	Taper Pin(serial # 2004ZH1088 and higher)	6x35	1
32a	GB308-10	Steel Ball(serial #1901ZH0962and higher)	10	1
33	GB70-M6x16	Hex Socket Cap Screw(serial #1812ZH0959and lower)	M6x16	2
	GB70-M6x20	Hex Socket Cap Screw(serial #1901ZH0962and higher)	M6x20	2
34	Q81-1-1.2x8x22	Spring(serial #1812ZH0959and lower)	1.2x8x22	1
	Q81-1-2x8x25	Spring(serial #1901ZH0962and higher)	2x8x25	1
35	GB119-8x14	Pin(serial #1812ZH0959and lower)	8x14	1
	GB73-M12x12	Slotted Set Screw (serial #1901ZH0962and higher)	M12x12	1
37	C6266C06711	Control Handle (serial # 0803ZH0086 and lower)		1
	C6266C06711J-G	Control Handle (serial # 0803ZH0087 and higher)		1
38	GB117-5x30	Taper Pin	5x30	1
39	C6266C06710	Positioning Sleeve(serial # 1812ZH0959 and lower)		1
	C6266C06710C	Positioning Sleeve(serial # 1901ZH0962 and higher)		1
40	GB308-10	Steel Ball	10	1
41	Q81-1-1.5x8x35	Spring	1.5x8x35	1
42	GB73-M12x14	Slotted Set Screw	M12x14	1
43	C6266C06A780	Positioning Sleeve		1
44	C6140W06716	Bolt		1
45	C6140W06725	Shaft (VII)		1
46	C6140W06303Y	Sleeve		1
47	GB117-5x60	Pin	5x60	1
48	C6140W02801-G	Handle		1
49	C6266C06104	Sleeve		1

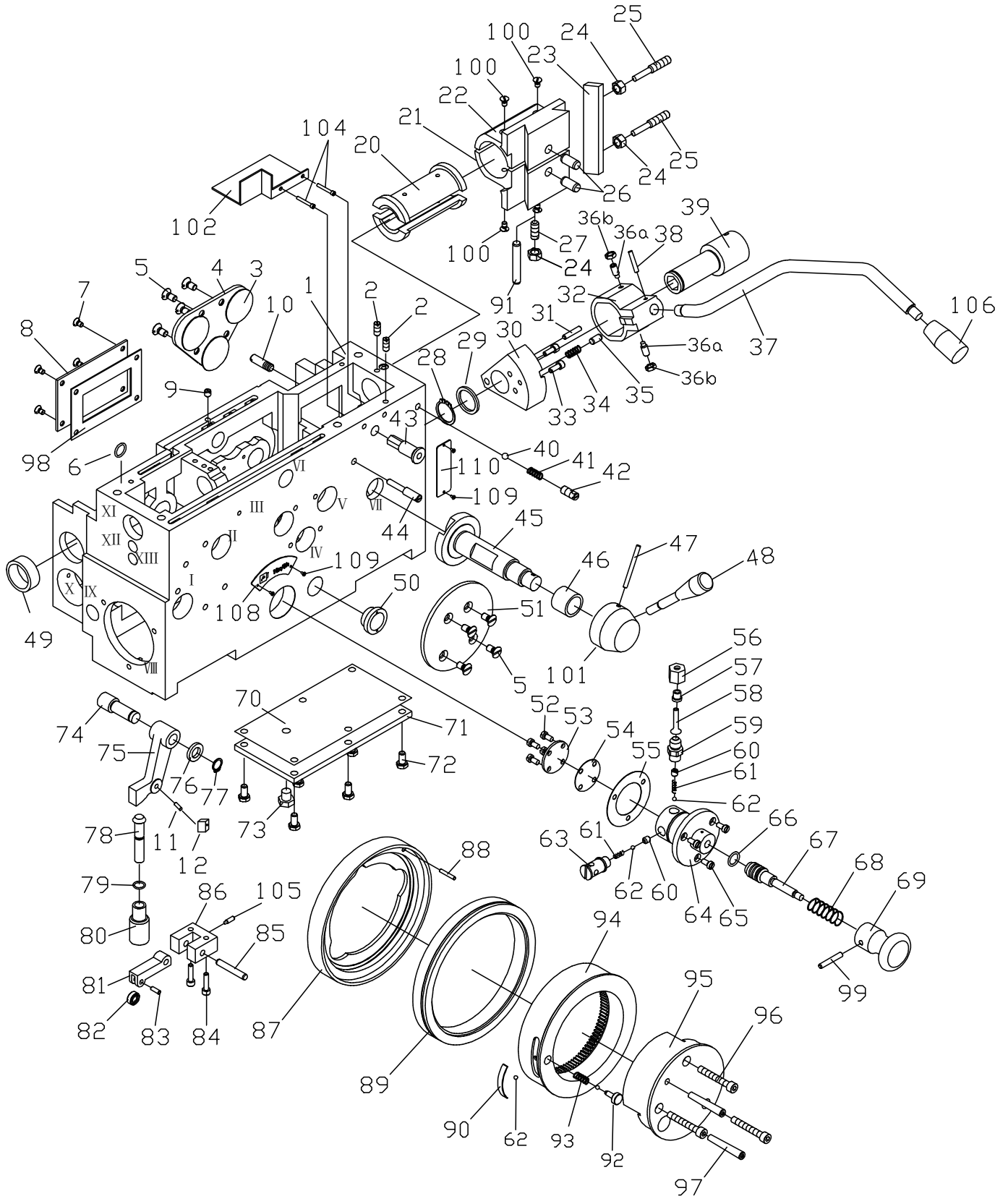
Apron Assembly I

Index No.	Part No.	Description	Size	Qty.
50	R51-2-M27x1.5	Oil Sight Glass	M27x1.5	1
51	C6140W06760-G	Front Cover		1
52	GB65-M6x10	Slotted Socket Cap Screw	M6x10	4
53	C6266C06713	Pump Cover		1
54	C6266C06505	Gasket		1
55	C6266C06504	Gasket		1
56	Y91-1A-8	Nut	8	1
57	C6266C06727	Sleeve		1
58	T3-M-Ø6x0.75x450	Copper Pipe	Ø6x0.75x450	1
59	C6266C06726	Valve		1
60	C6266C06714	Adjust Bolt		2
61	Q81-1-0.3x3x12	Spring	0.3x3x12	2
62	GB308-5	Steel Ball	5	4
63	C6266C06715	Oil Purifier		1
64	C6266C06107-G	Pump		1
65	GB65-M6x12	Slotted Socket Cap Screw	M6x12	3
66	G51-2A-20x2.4	Ring Seal	20x2.4	1
67	C6266C06712	Piston-rod (serial # 0803ZH0086 and lower)		1
	C6266C06712J	Piston-rod (serial # 0803ZH0087 and higher)		1
68	Q81-1-1.2x19x70	Spring	1.2x19x70	1
69	GB4141.11-M8x25	Ball (serial # 0803ZH0086 and lower)	M8x25	1
	1440R04783-G	Knob (serial # 0803ZH0087 and higher)		1
70	C6266C06502	Gasket		1
71	C6266C06103-G	Bottom Cover		1
72	GB70-M8x12	Hex Socket Cap Screw	M8x12	6
73	GB38-2-M12x1.5	Drain Plug	M12x1.5	1
74	C6266C06725	Shaft		1
75	C6266C06109	Rocker		1
76	C6266C06724	Spacer		1
77	GB894.1-15	C-clip For Shaft	15	1
78	C6266C06721	Rod		1
79	G51-2A-12x1.9	Ring Seal	12x1.9	1
80	C6266C06723	Sleeve		1
81	C6266C06722	Block		1
82	606	Bearing	6x17x6	1
83	GB119-6x15	Pin	6x15	1
84	GB70-M6x25	Hex Socket Cap Screw	M6x25	2
85	GB119-8n6x45	Pin	8n6x45	1
86	C6266C06110	Positioning Block		1
87	C6140W06116-G	Bracket Disk (For Metric style)		1
88	GB119-6x25	Pin	6x25	1
89	C6140W06761	Dial (For Metric style)		1
90	C6140W06769	Spring Leaf		1
91	GB119-8h8x50	Pin	8h8x50	1
92	C6140W06768	Eccentric Shaft (serial # 0804ZH0125 and lower)		1
	C628006730-G	Eccentric Shaft (serial # 0805ZH0126 and higher)		1

Apron Assembly I

Index No.	Part No.	Description	Size	Qty.
93	GB119-3n6x22	Pin (serial # 0804ZH0125 and lower)	3n6x22	1
	Q81-1-0.4x3x10	Spring (serial # 0805ZH0126 and higher)	0.4x3x10	1
94	C6140W06762	Gear (For Metric style) (serial # 0804ZH0125 and lower)		1
	C6140W06762A	Gear (For Metric style) (serial # 0805ZH0126 and higher)		1
95	C6140W06117	Bracket (For Metric style)		1
96	GB70-M8x55	Hex Socket Cap Screw	M8x55	3
97	GB119-12n6x40	Pin	12n6x40	2
98	C6266C06501	Gasket		1
99	GB117-4x18	Taper Pin	4x18	1
100	GB68-M6x12	Recessed Countersunk Head Screw	M6x12	4
101	C6140W06109-G	Handle Seat		1
102	C6266C06740J	Wire Baffle (serial #1301ZH0609 and higher)		1
104	GB70-5x25	Hex Socket Cap Screw (serial #1301ZH0609 and higher)	5x25	2
105	GB75-5x16	Slotted Cylindrical End Set Screw	5x16	1
106	C6266C06702-G	Level Sleeve		1
108	C6266C06303	Label (serial #1608ZH0809 and lower)		1
	C6266C06303-10	Label (serial #1608ZH0810 and higher)		1
109	GB818-M3x6	Cross Recessed Pan Head Screw (serial #1601ZH0793 and lower)		
			M3x6	4
	GB2672-M3x6	Screw (serial #1601ZH0794 and higher)	M3x6	4
110	C6266C06305	Label (serial #1608ZH0809 and lower)		1
	C6266C06305-1	Label (serial #1608ZH0810 and higher)		1

Apron Assembly (for GH-20120ZH only) II



Apron Assembly (for GH-20120ZH only) II

Index No.	Part No.	Description	Size	Qty.
1	C6266C06101-G	Apron Casting		1
2	GB71-M8x10	Set Screw	M8x10	2
3	C6266C06506	Gasket		1
4	C6140W06750	Back Cover		1
5	GB819-M8x16	Cross Recessed Countersunk Head Screw	M8x16	8
6	GB3452.1-8.75x1.8G	Ring Seal	8.75x1.8G	1
7	GB68-M6x10	Recessed Sunk Head Screw	M6x10	4
8	C6140W06731	Cover		1
9	GB71-M6x10	Slotted Set Screw	M6x10	1
10	GB878-10x35	Parallel Pins With External Thread	10x35	1
11	GB1096-6x14	Pin	6x14	1
12	C6140W06715	Block		1
20	C6140W06302Y	Half Nut (For Metric style)		1
21	C6140W06107	Lower Nut		1
22	C6140W06108	Upper Nut		1
23	C6140W06759	Gib		1
24	GB6170-M10	Hex Nut	M10	2
25	C6140W06758	Cylindrical End Set Screw		1
26	GB119-12x25	Pin	12x25	2
27	GB73-M10x25	Slotted Set Screw	M10x25	1
28	GB894.1-30	C-clip For Shaft	30	1
29	C6140W06755	Collar		1
30	C6266C06105-G	Positioning Block		1
31	GB117-6x35	Taper Pin	6x35	1
32	C6266C06106-G	Lever Support		1
33	GB70-M6x16	Hex Socket Cap Screw	M6x16	2
34	Q81-1-1.2x8x22	Spring	1.2x8x22	1
35	GB119-8x14	Pin	8x14	1
36a	GB79-M8x20	Hex Socket Set Screws	M8x20	2
36b	GB6172-M8	Hex Nut	M8	2
37	C6266C06711-G	Control Handle (serial # 0803ZH0086 and lower)		1
	C6266C06711J-G	Control Handle (serial # 0803ZH0087 and higher)		1
38	GB117-5x30	Taper Pin	5x30	1
39	C6266C06710	Positioning Sleeve		1
40	GB308-10	Steel Ball	10	1
41	Q81-1-1.5x8x35	Spring	1.5x8x35	1
42	GB73-m12x14	Slotted Set Screw	m12x14	1
43	C6266C06A780	Positioning Sleeve		1
44	C6140W06716	Bolt		1
45	C6140W06725	VII Shaft		1
46	C6140W06303Y	Sleeve		1
47	GB119-5x60	Pin	5x60	1
48	C6140W02801-G	Handle		1
49	C6266C06104	Sleeve		1
50	R51-2-20	Oil Sight Glass	20	1
51	C6140W06760-G	Front Cover		1
52	GB65-M6x10	Slotted Socket Cap Screw	M6x10	4

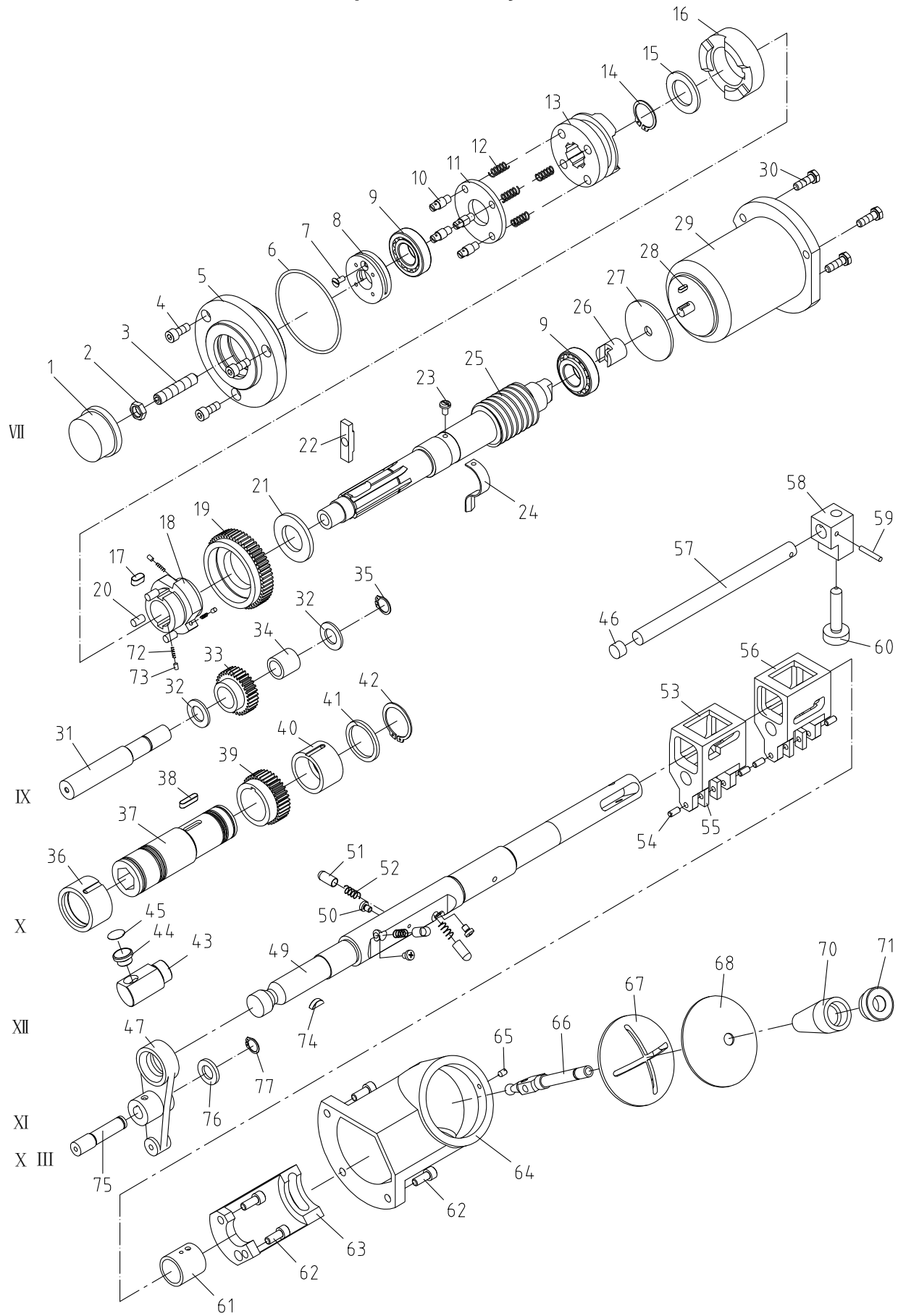
Apron Assembly (for GH-20120ZH only) II

Index No.	Part No.	Description	Size	Qty.
53	C6266C06713	Pump Cover		1
54	C6266C06505	Gasket		1
55	C6266C06504	Gasket		1
56	Y91-1A-8	Nut	8	1
57	C6266C06727	Sleeve		1
58	T3-M-Ø6x0.75x450	Copper Pipe	Ø6x0.75x450	1
59	C6266C06726	Valve		1
60	C6266C06714	Adjust Bolt		2
61	Q81-1-0.3x3x12	Spring	0.3x3x12	2
62	GB308-5	Steel Ball	5	4
63	C6266C06715	Oil Purifier		1
64	C6266C06107-G	Pump		1
65	GB65-M6x12	Slotted Socket Cap Screw	M6x12	3
66	G51-2A-20x2.4	Ring Seal	20x2.4	1
67	C6266C06712	Piston-rod (serial # 0803ZH0086 and lower)		1
	C6266C06712J	Piston-rod (serial # 0803ZH0087 and higher)		1
68	Q81-1-1.2x19x70	Spring	1.2x19x70	1
69	GB4141.11-M8x25	Ball (serial # 0803ZH0086 and lower)	M8x25	1
	1440R04783-G	Knob (serial # 0803ZH0087 and higher)		1
70	C6266C06502	Gasket		1
71	C6266C06103-G	Bottom Cover		1
72	GB70-M8x12	Hex Socket Cap Screw	M8x12	6
73	GB38-2-M12x1.5	Drain Plug	M12x1.5	1
74	C6266C06725	Shaft		1
75	C6266C06109	Rocker		1
76	C6266C06724	Collar		1
77	GB894.1-15	C-clip For Shaft	15	1
78	C6266C06721	Rod		1
79	G51-2A-12x1.9	Ring Seal	12x1.9	1
80	C6266C06723	Sleeve		1
81	C6266C06722	Block		1
82	606	Bearing	6x17x6	1
83	GB119-5n6x15	Pin	5n6x15	1
84	GB70-M6x25	Hex Socket Cap Screw	M6x25	2
85	GB119-8n6x45	Pin	8n6x45	1
86	C6266C06110	Positioning Block		1
87	C6140W06116A-G	Bracket Disk (For Metric style)		1
88	GB119-6x25	Pin	6x25	1
89	C6140W06761	Dial (For Metric style)		1
90	C6140W06769	Spring Leaf		1
91	GB119-8h8x50	Pin	8h8x50	1
92	C6140W06768	Eccentric Shaft (serial # 0804ZH0125 and lower)		1
	C628006730-G	Eccentric Shaft (serial # 0805ZH0126 and higher)		1
93	GB119-3n6x22	Pin (serial # 0804ZH0125 and lower)	3n6x22	1
	Q81-1-0.4x3x10	Spring (serial # 0805ZH0126 and higher)	0.4x3x10	1
94	C6140W06762	Gear (For Metric style) (serial # 0804ZH0125 and lower)		1
	C6140W06762A	Gear (For Metric style) (serial # 0805ZH0126 and higher)		1

Apron Assembly (for GH-20120ZH only) II

Index No.	Part No.	Description	Size	Qty.
95	C6140W06117	Bracket (For Metric style)		1
96	GB70-M8x55	Hex Socket Cap Screw	M8x55	3
97	GB119-12n6x40	Pin	12n6x40	2
98	C6266C06501	Gasket		1
99	GB117-4x18	Taper Pin	4x18	1
100	GB68-M6x12	Recessed Sunk Head Screw	M6x12	4
101	C6140W06109-G	Handle Seat		1
102	C6266C06740J	Wire Baffle (serial #1301ZH0609 and higher)		1
104	GB70-5x25	Hex Socket Cap Screw (serial #1301ZH0609 and higher)	5x25	2
105	GB75-5x16	Slotted Cylindrical End Set Screw	5x16	1
106	C6266C06702-G	Level Sleeve		1
108	C6266C06303	Label (serial #1608ZH0809 and lower)		1
	C6266C06303-10	Label (serial #1608ZH0810 and higher)		1
109	GB818-M3x6	Cross Recessed Pan Head Screw (serial #1601ZH0793 and lower)		4
			M3x6	4
	GB2672-M3x6	Screw (serial #1601ZH0794 and higher)	M3x6	4
110	C6266C06305	Label (serial #1608ZH0809 and lower)		1
	C6266C06305-1	Label (serial #1608ZH0810 and higher)		1

Apron Assembly III



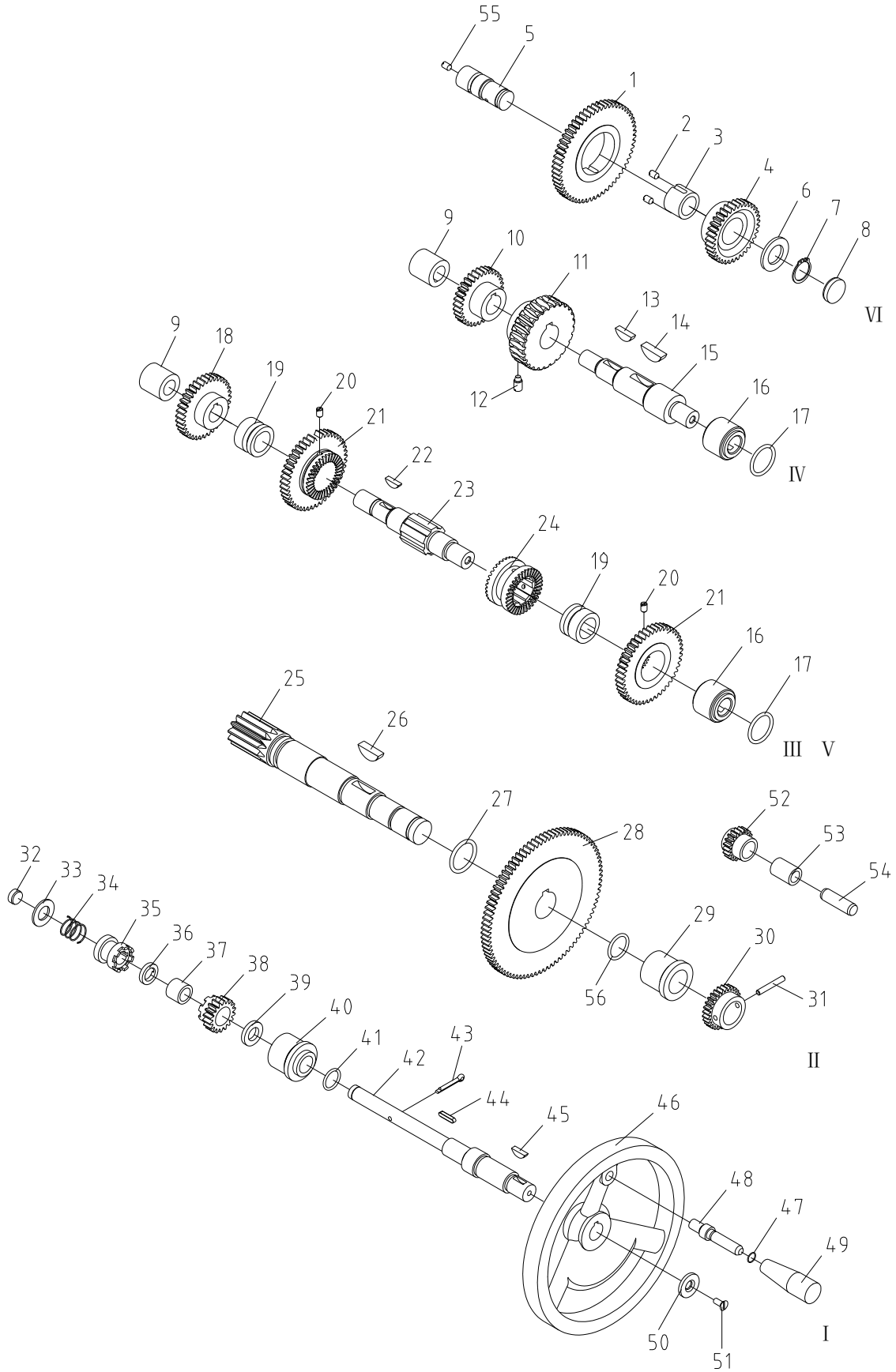
Apron Assembly III

Index No.	Part No.	Description	Size	Qty.
1	C6140W06738	Adjust Knob		1
2	GB6172-M12	Hex Flat Nut	M12	1
3	GB78-M12x60	Hex Set Screw (serial #1307ZH0671 and lower)	M12x60	1
	C6266C06779	Screw (serial #1309ZH0672 and higher)		1
4	GB70-M8x20	Hex Socket Cap Screw	M8x20	3
5	C6140W06111	Flange (serial #1307ZH0671 and lower)		1
	C6266C06111A-G	Flange (serial #1309ZH0672 and higher)		1
6	G51-2A-93x3.1	Ring Seal	93x3.1	1
7	GB70.3-M5x12	Screw	M5x12	1
8	C6140W06739	Adjust C-clip		1
9	30502/P6	Bearing	25x52x15	2
10	C6266C06730	Bolt		4
11	C6140W06740	Washer		1
12	Q81-1-1x10x35	Spring (serial #1307ZH0671 and lower)	1x10x35	4
	Q81-1-1.2x10x35	Spring (serial #1309ZH0672 and higher)	1.2x10x35	4
13	C6266C06707	Clutch		1
14	GB894.1-30	C-clip For Shaft	30	1
15	C6266C06708	Washer		1
16	C6266C06706	Clutch		1
17	GB1096-8x16	Flat Key	8x16	1
18	C6140W06708	Star Gear		1
19	C6140W06709	Gear		1
20	C6140W06726	Pin		3
21	C6140W06710	Washer		1
22	C6140W06737	Block		1
23	GB67-M6x10	Slotted Pan Head Screw	M6x10	1
24	C6140W06729	Splash Leaf		1
25	C6266C06209	Worm (serial #1307ZH0671 and lower)		1
	C6266C06209A	Worm (serial #1309ZH0672 and higher)		1
26	C6140W06728	Motor Connector		1
27	C6266C06503	Washer		1
28	GB1096-4x14	Flat Key	4x14	1
29	YSS5634-G	Motor	370W 1400r/min	1
30	GB5782-M8x30	Hexagon Head Bolt	M8x30	3
31	C6140W06736	IX Shaft		1
32	C6140W06735	Washer		2
33	C6140W06734	Gear		1
34	C6140W06306	Sleeve		1
35	GB894.1-16	C-clip For Shaft	16	1
36	C6140W06305	Sleeve		1
37	C6140W06733	X Shaft		1
38	GB1096-6x25	Flat Key	6x25	1
39	C6140W06732	Gear		1
40	C6140W06304	Sleeve		1
41	C6140W06730	Washer		1
42	GB894.1-38	C-clip For Shaft	38	1
43	C6266C6704A	Oil Tap Cover		1

Apron Assembly III

Index No.	Part No.	Description	Size	Qty.
44	C6266C06705A-35	Oil Tap	.35	1
45	C6266C04A311	Label (serial #1608ZH0809 and lower)		1
	C6266C04A311-1	Label (serial #1608ZH0810 and higher)		1
46	C6266C06102	Plug		1
47	C6140W06103	Fork		1
49	C6266C06701	Control Shaft		1
50	GB67-M6x8	Slotted Pan Head Screw	M6x8	3
52	Q81-1-1.6x8x22	Spring	1.6x8x22	3
51	C6140W06701	Pin		3
53	C6140W06713	Left Fork		1
54	GB119-6n6x14	Pin	.6n6x14	6
55	C6140W06715	Sliding Block		6
56	C6140W06714	Right Fork		1
57	C6140W06717	Shaft		1
58	C6140W06104	Inter-locking Block		1
59	GB117-5x30	Taper Pin	.5x30	1
60	C6140W06718	Shaft		1
61	C6266C06304	Sleeve		1
62	GB70-8x20	Hex Socket Cap Screw	.8x20	5
63	C6140W06719	Bracket		1
64	C6140W06105-G	Bracket		1
65	GB71-M6x10	Slotted Set Screw	M6x10	1
66	C6140W06722A-G	Handle		1
67	C6140W06106-G	Cross Cover		1
68	C6140W06501	Washer		1
70	C6140W06721A-G	Handle		1
71	C6140W06720A-G	Seat		1
72	C6140W06727	Pin		3
73	Q81-1-0.3x3x12	Spring	.0.3x3x12	3
74	GB1099-5x19	Half Circle Key	.5x19	1
75	C6140W06704	XIII Shaft		1
76	C6140W06705	Collar		1
77	GB894.1-14	C-clip For Shaft	.14	1
78	GB71-M5x6	Slotted Set Screw	M5x6	1

Apron Assembly IV



Apron Assembly IV

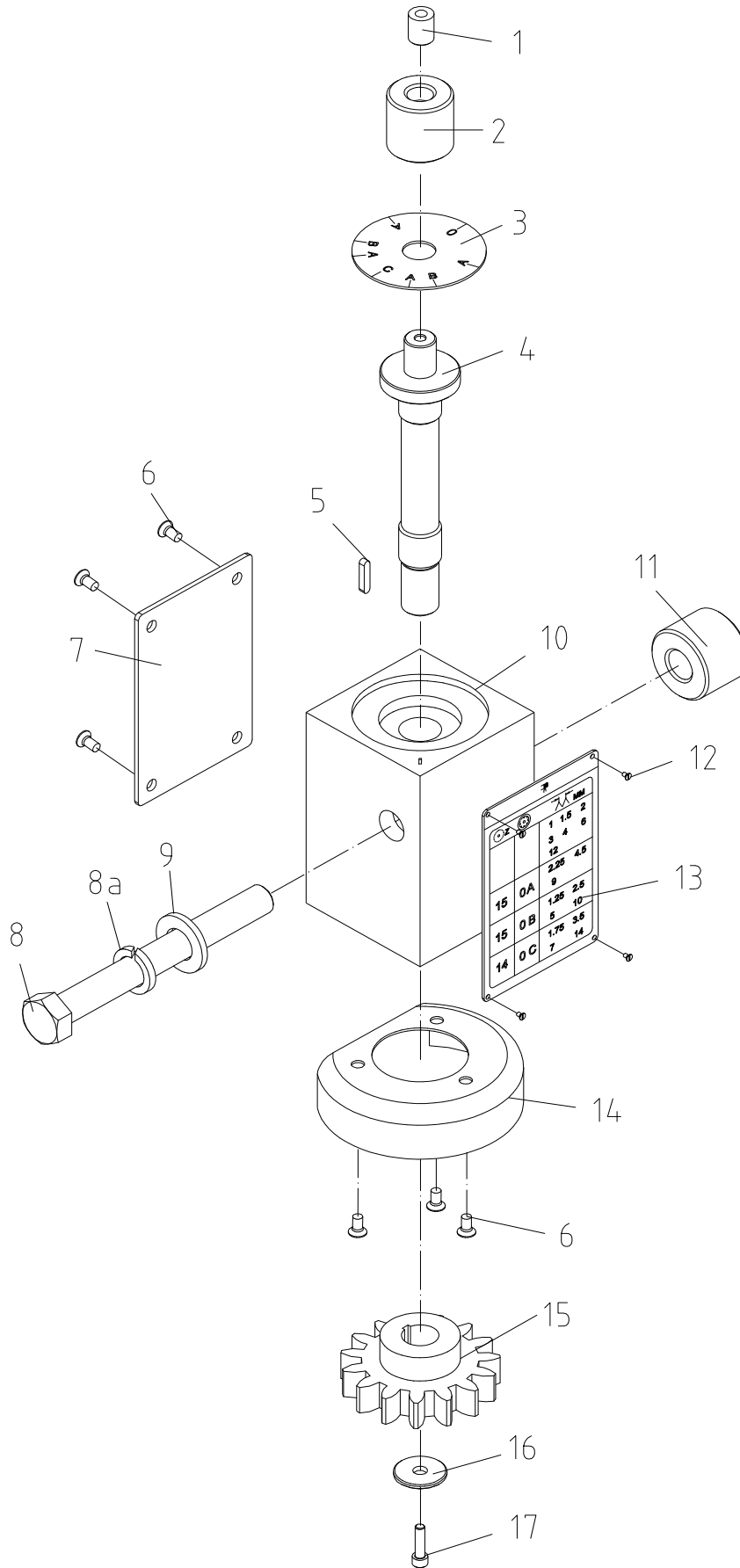
Index No.	Part No.	Description	Size	Qty.
1	C6140W06751	Gear		1
2	GB71-M6x8	Slotted Set Screw	M6x8	2
3	C6140W06309	Sleeve		1
4	C6140W06752	Gear		1
5	C6266C06728	VI Shaft		1
6	C6140W06754	Washer		1
7	GB894.1-20	C-clip For Shaft	20	2
8	C6140W06114	Plug		1
9	C6140W06113	Sleeve		3
10	C6140W06749	Gear		1
11	C6140W06308	Worm Wheel		1
12	GB72-M8x16	Slotted Set Screw	M8x16	1
13	GB1099-6x22	Half Circle Key	6x22	1
14	GB1099-8x28	Half Circle Key	8x28	1
15	C6140W06748	IV Shaft		1
16	C6140W06115	Sleeve		3
17	G51-2A-35x3.1	Ring Seal	35x3.1	3
18	C6140W06746	Gear		2
19	C6140W06307	Sleeve		4
20	GB71-M6x10	Slotted Set Screw	M6x10	4
21	C6140W06744	Gear		4
22	GB1099-5x16	Half Circle Key	5x16	2
23	C6140W06747	III Shaft		2
24	C6140W06745	Connector		2
25	C6140W06743	II Shaft		1
26	GB1099-8x28	Half Circle Key	8x28	1
27	G51-2A-32x3.5	Ring Seal	32x3.5	1
28	C6140W06742	Gear		1
29	C6140W06118	Sleeve		1
30	C6140W06764	Gear		1
31	GB117-5x35	Taper Pin (serial #1209ZH0608 and lower)	5x35	1
	GB877-5x40	Taper Pin (serial #1301ZH0609 and higher)	5x40	1
32	C6140W06112	Plug		1
33	C6140W06774	Washer		1
34	Q81-1-1.6x18x25	Spring	1.6x18x25	1
35	C6140W06773	Connector		1
36	C6140W06772	Washer		1
37	C6140W06311	Sleeve		1
38	C6140W06771	Gear		1
39	C6140W06770	Washer		1
40	C6140W06120	Sleeve		1
41	G51-2A-18x2.4	Ring Seal	18x2.4	1
42	C6140W06775	I Shaft		1
43	GB91-4x25	Pin	4x25	1
44	GB1096-4x20	Flat Key	4x20	1
45	GB1099-5x16	Half Circle Key	5x16	1

46 C6266C06111-G Handle Wheel 1

Apron Assembly IV

Index	Part			
No.	No.	Description	Size	Qty.
47	GB895-10	Steel C-clip	10	1
48	C6140W06766-G	Shaft		1
49	C6140W06765-G	Lever Sleeve		1
50	GB891-B25	Circlip	B25	1
51	GB68-M5x12	Recessed Sunk Head Screw	M5x12	1
52	C6140W06763	Gear		1
53	C6140W06310Y	Sleeve		1
54	GB119-12n6x40	Pin	12n6x40	1
56	G51-2A-25x2.4	O Ring Seal	25x2.4	1

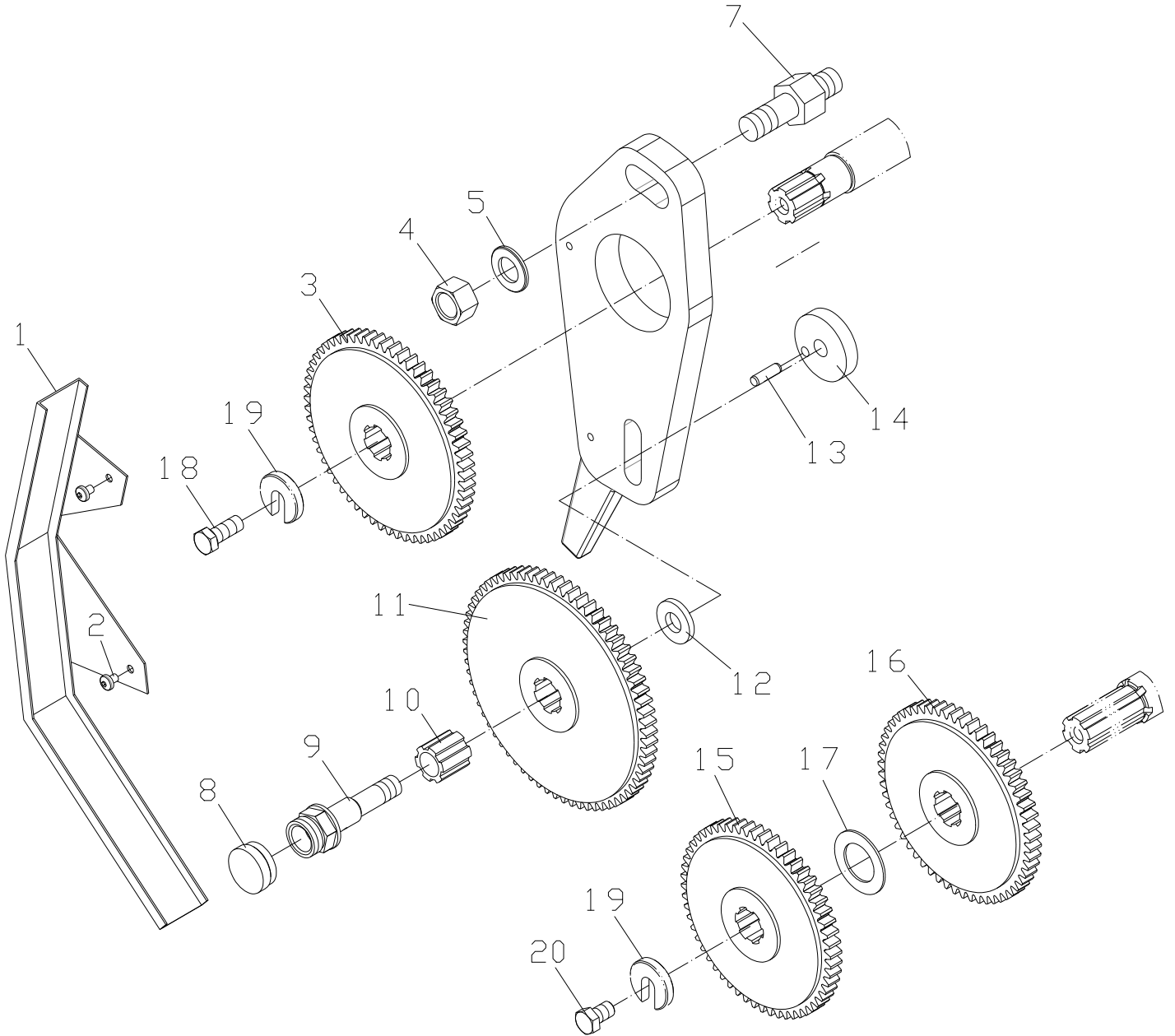
Apron Assembly V



Apron Assembly V

Index No.	Part No.	Description	Size	Qty.
1	GB1155-10	Oil Cup	10	1
2	C6266C11703	Handle		1
3	C6266C11301 (m)	Label (serial #1608ZH0809 and lower)		1
	C6266C11301-1(m)	Label (serial #1608ZH0810 and higher)		1
4	C6266C11702	Shaft		1
5	GB1096-4x15	Flat Key	4x15	1
6	GB818- M4x8	Cross Recessed Pan Head Screw	M4x8	7
7	C6266C11701	Cover		1
8	GB5782- M12x110	Hex Cap Bolt	M12x110	1
8a	GB93-12	Spring Washer	12	1
9	GB97.2-12	Flat Washer	12	1
10	C6266C11101-G	Casting		1
11	C6266C11705	Sleeve		1
12	GB827-2x5	Aluminium Rivet	2x5	4
13	C6266C11302 (m)	Label (serial #1608ZH0809 and lower)		1
	C6266C11302-1(m)	Label (serial #1608ZH0810 and higher)		1
14	C6266C11704	Cover Casting		1
15	C6266C11102	Helical Gear		1
	C6266C11103	Helical Gear (For Attachment)	m3.75z14	1
16	C6266C11706	Washer		1
17	GB70- M5x10	Hex Socket Cap Screw	M5x10	1

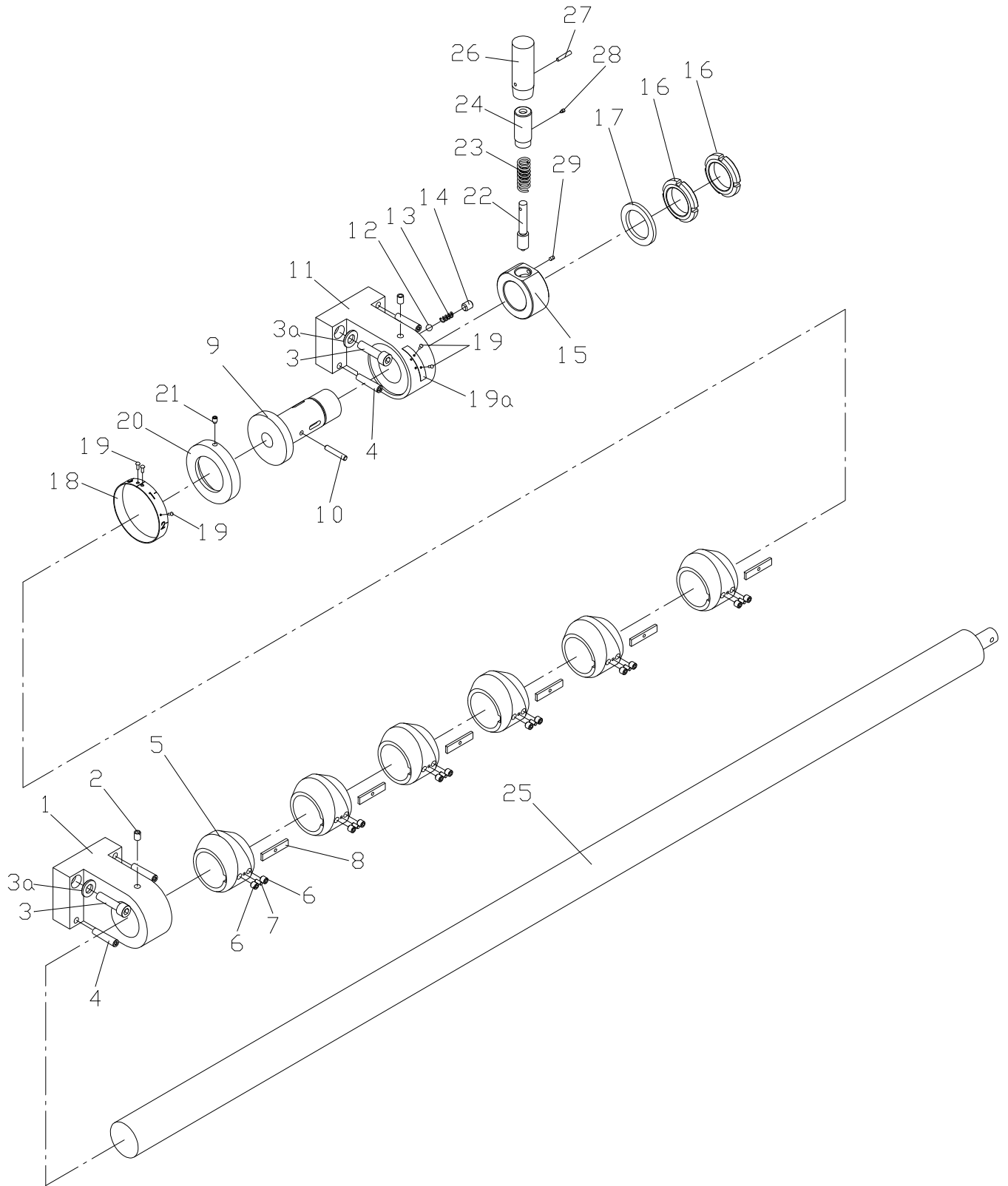
Gear Assembly



Gear Assembly

Index No.	Part No.	Description	Size	Qty.
1	C6250B08701-G	Splash Guard		1
2	GB818-M6x8	Cross Recessed Pan Head Screws (serial #1601ZH0793 and lower)	M6x8	2
	GB2672-M6x8	Screw (serial #1601ZH0794 and higher)	M6x8	2
3	C6250B08702 (m)	Gear	.2.5m60T	1
4	GB6172-M20	Nut	M20	1
5	GB97.2-20	Washer	.20	1
6	C6250B08101	Gear Frame		1
7	C6140W02824	Fixing Rod-2		1
8	C6140W08703	Nut Cover		1
9	C6140W08702	Gear Shaft		1
10	C6140W08301	Spline Sleeve		1
11	C6250B08102 (m)	Gear	.2.5m69T	1
12	C6140W08701	Washer		1
13	GB119-8n6x20	Pin	.8n6x20	1
14	C6140W08704	Position Nut		1
15	C6250B08703 (m)	Gear	.2.5m56T	1
16	C6250B08704 (m)	Gear	.2.5m57T	1
17	1440R06001C-2	Collar (The sum is adopt to the space between 15 and 16)		not sure
18	GB5782-M12x30	Hexagon Head Bolt	M12x30	1
19	GB851-A12-40	Snap Washer	A12-40	2
20	GB5783-M12x20	Hexagon Head Bolts	M12x20	1

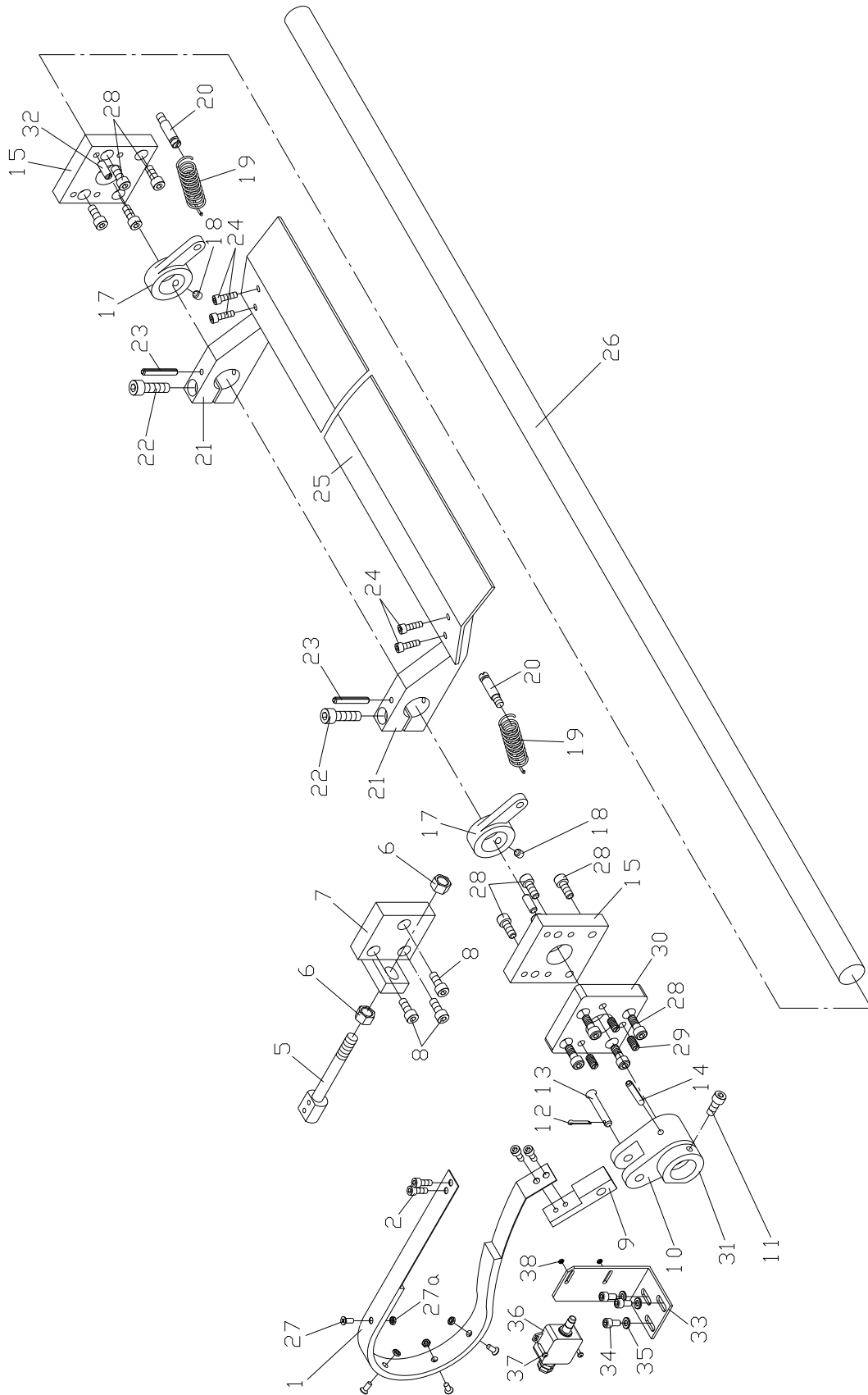
Micro Carriage Stop Assembly



Micro Carriage Stop Assembly

Index No.	Part No.	Description	Size	Qty.
1	C6266C26102-G	Left Support		1
2	GB1155-8	Oil Cup	.8	2
3	GB70-M10x40	Hex Socket Cap Screw	M10x40	4
3a	GB97.2-10	Washer	.10	4
4	GB118-8x40	Pin	.8x40	4
5	C6266C26712	Eccentric Travel Setting Ring		6
6	GB77-M8x8	Hex Socket Set Screws	M8x8	12
7	GB119-4x10	Set Screw	.4x10	6
8	C6266C26713	Locking Key		6
9	C6266C26706	Shaft Connector		1
10	GB117-6x35	Taper Pin	.6x35	1
11	C6266C26101-G	Right Support		1
12	GB308-8	Steel Ball	.8	1
13	GB2089-1.5x8 x20	Spring	1.5x8 x20	1
14	GB77-M10x40	Hex Socket Set Screws	M10x40	1
15	C6266C26701	Sleeve		1
16	GB812-M39x1.5	Round Nut	M39x1.5	2
17	C6266C26702	Sleeve		1
18	C6266C26301	Label		1
19	GB867-M3×8	Half Circle Rivet	M3×8	5
19a	C6136ZK03303B	Label		1
20	C6266C26714	Sleeve		1
21	GB79-M6×8	Hex Socket Set Screws	M6×8	1
22	C6266C26704	Shaft		1
23	GB2089-1.2×13×40	Spring	1.2×13×40	1
24	C6266C26703	Sleeve		1
25	C6266C26707A	Travel Setting Rod (For GH-2040ZH only)		1
	C6266C26707B	Travel Setting Rod (For GH-2060ZH only)		1
	C6266C26707C	Travel Setting Rod (For GH-2080ZH only)		1
	C6266C26707D	Travel Setting Rod (For GH-20120ZH only)		1
26	C6266C26705	Handle		1
27	GB117-4x25	Taper Pin	.4x25	1
28	GB75-M4×6	Slotted Socket Cap Screw	M4×6	1
29	GB71-M4×8	Slotted Set Screw	M4×8	1

Brake Assembly



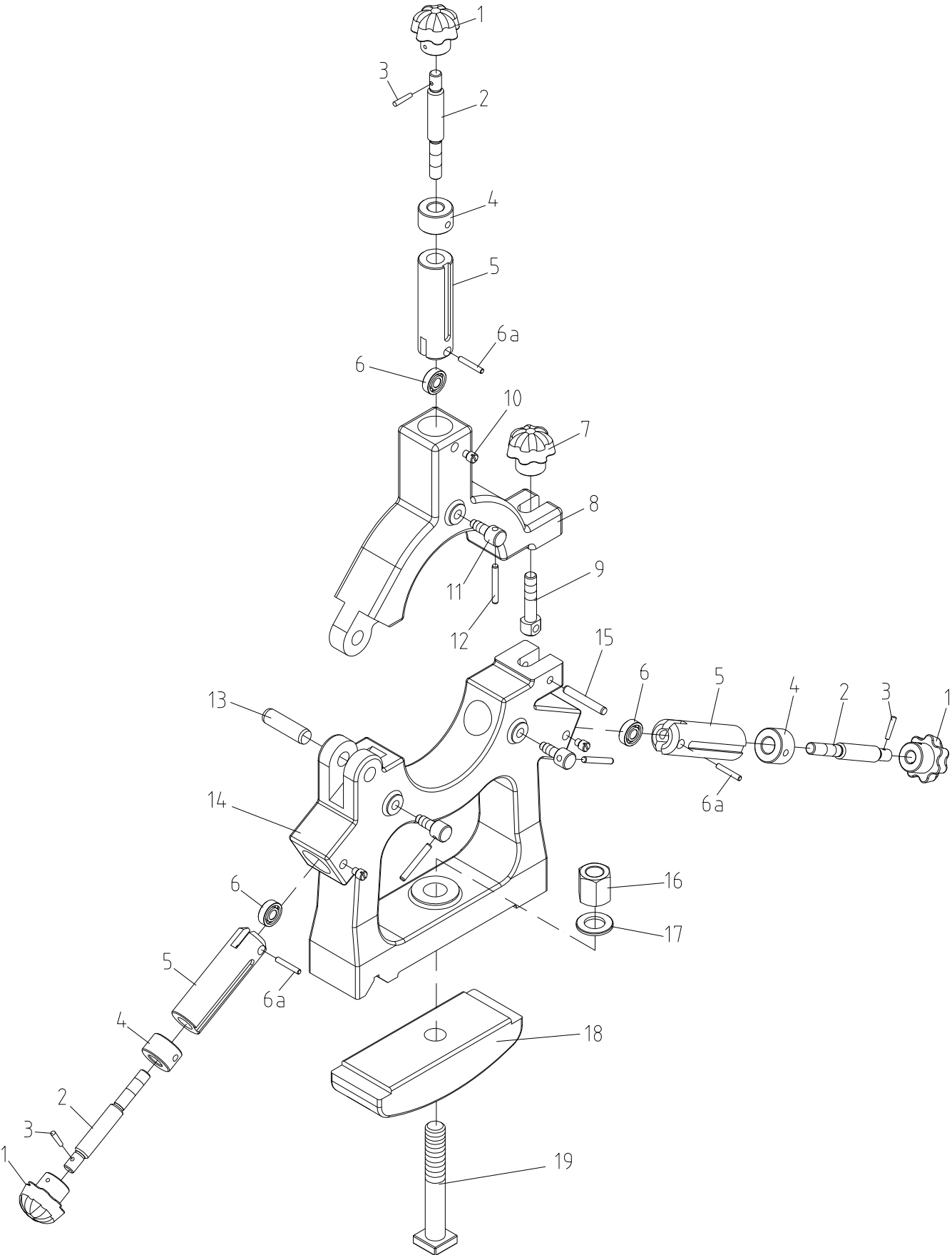
Brake Assembly

Index No.	Part No.	Description	Size	Qty.
1	C6266C22705	Braking Belt		1
2	GB70-M6x8	Hex Socket Cap Screw	M6x8	4
5	C6266C22704	Bolt		1
6	GB6170-M12	Hex Nut	M12	2
7	C6266C22103-G	Braking Belt Support		1
8	GB70-M8x20	Hex Socket Cap Screw	M8x20	3
9	C6266C22706	Brake Block		1
10	C6266C22104-G	Fork		1
11	GB70-M8x20	Hex Socket Cap Screw	M8x20	1
12	GB91-3x20	Screw	3x20	1
13	C6266C22707	Pin Shaft		1
14	GB879-5x35	Spring Pin	5x35	1
15	C6266C22101-G	Support (For GH-2040ZH, GH-2060ZH, GH-2080ZH)		2
	C6266C22101-G	Support (For GH-20120ZH only)		4
17	C6266C22102-G	Brake Support (For GH-2040ZH, GH-2060ZH, GH-2080ZH)		2
	C6266C22102-G	Brake Support (For GH-20120ZH only)		4
18	GB77-M8x8	Hex Socket Set Screws (For GH-2040ZH, GH-2060ZH, GH-2080ZH)	M8x8	2
	GB77-M8x8	Hex Socket Set Screws (For GH-20120ZH only)	M8x8	4
19	Q81-1-2.5x18x80	Spring (For GH-2040ZH, GH-2060ZH, GH-2080ZH)	2.5x18x80	2
	Q81-1-2.5x18x80	Spring (For GH-20120ZH only)	2.5x18 x80	4
20	C6266C22702	Screw (For GH-2040ZH, GH-2060ZH, GH-2080ZH)		2
	C6266C22702	Screw (For GH-20120ZH only)		4
21	C6266C22105-G	Brake Support (For GH-2040ZH only)		2
	C6266C22105-G	Brake Support (For GH-2060ZH, GH-2080ZH)		3
	C6266C22105-G	Brake Support (For GH-20120ZH only)		6
22	GB70-M10x35	Hex Socket Cap Screw (For GH-2040ZH only)	M10x35	2
	GB70-M10x35	Hex Socket Cap Screw (For GH-2060ZH, GH-2080ZH)	M10x35	3
	GB70-M10x35	Hex Socket Cap Screw (For GH-20120ZH only)	M10x35	6
23	GB879-6x45	Spring Pin (For GH-2040ZH only)	6x45	2
	GB879-6x45	Spring Pin (For GH-2060ZH, GH-2080ZH)	6x45	3
	GB879-6x45	Spring Pin (For GH-20120ZH only)	6x45	6
24	GB70-M6x20	Hex Socket Cap Screw (For GH-2040ZH only)	M6x20	4
	GB70-M6x20	Hex Socket Cap Screw (For GH-2060ZH, GH-2080ZH)	M6x20	6
	GB70-M6x20	Hex Socket Cap Screw (For GH-20120ZH only)	M6x20	12
25	C6266C22708A-G	Pedal (For GH-2040ZH only)		1
	C6266C22708B-G	Pedal (For GH-2060ZH only)		1
	C6266C22708C-G	Pedal (For GH-2080ZH only)		1
	C6266C22708D-G	Pedal (For GH-20120ZH only)		2
26	C6266C22703A-G	Shaft (For GH-2040ZH only)		1
	C6266C22703B-G	Shaft (For GH-2060ZH only)		1
	C6266C22703C-G	Shaft (For GH-2080ZH only)		1
	C6266C22703D-G	Shaft (For GH-20120ZH only)		1
27	GB819-M5x12	Cross Recessed Countersunk Head Screw	M5x12	4
27a	GB6172-M5	Hex Nut	M5	4
28	GB70-M8x20	Hex Socket Cap Screw (For GH-2040ZH, GH-2060ZH, GH-2080ZH)	M8x20	12

Brake Assembly

Index No.	Part No.	Description	Size	Qty.
	GB70-M8x20	Hex Socket Cap Screw (For GH-20120ZH only)	M8x20	20
29	GB78-M8x16	Hex Socket Cap Screw	M8x16	3
30	C6266C22106-G	Support		1
31	C6266C22107-G	Sleeve		1
32	C6266C22701	Screw (For GH-2040ZH, GH-2060ZH, GH-2080ZH)		2
	C6266C22701	Screw (For GH-20120ZH only)		4
33	C6266C18705-G	Bracket		1
34	GB70-M6x12	Hex Socket Cap Screw	M6x12	3
35	GB97-6	Washer	6	3
36	ZH-SQ2	Limit Switch	JW2-11H/W1	1
37	GB818-M4x20	Cross Recessed Pan Head Screw	M4x20	2
38	GB6172-M6	Hex Nut	M6	2

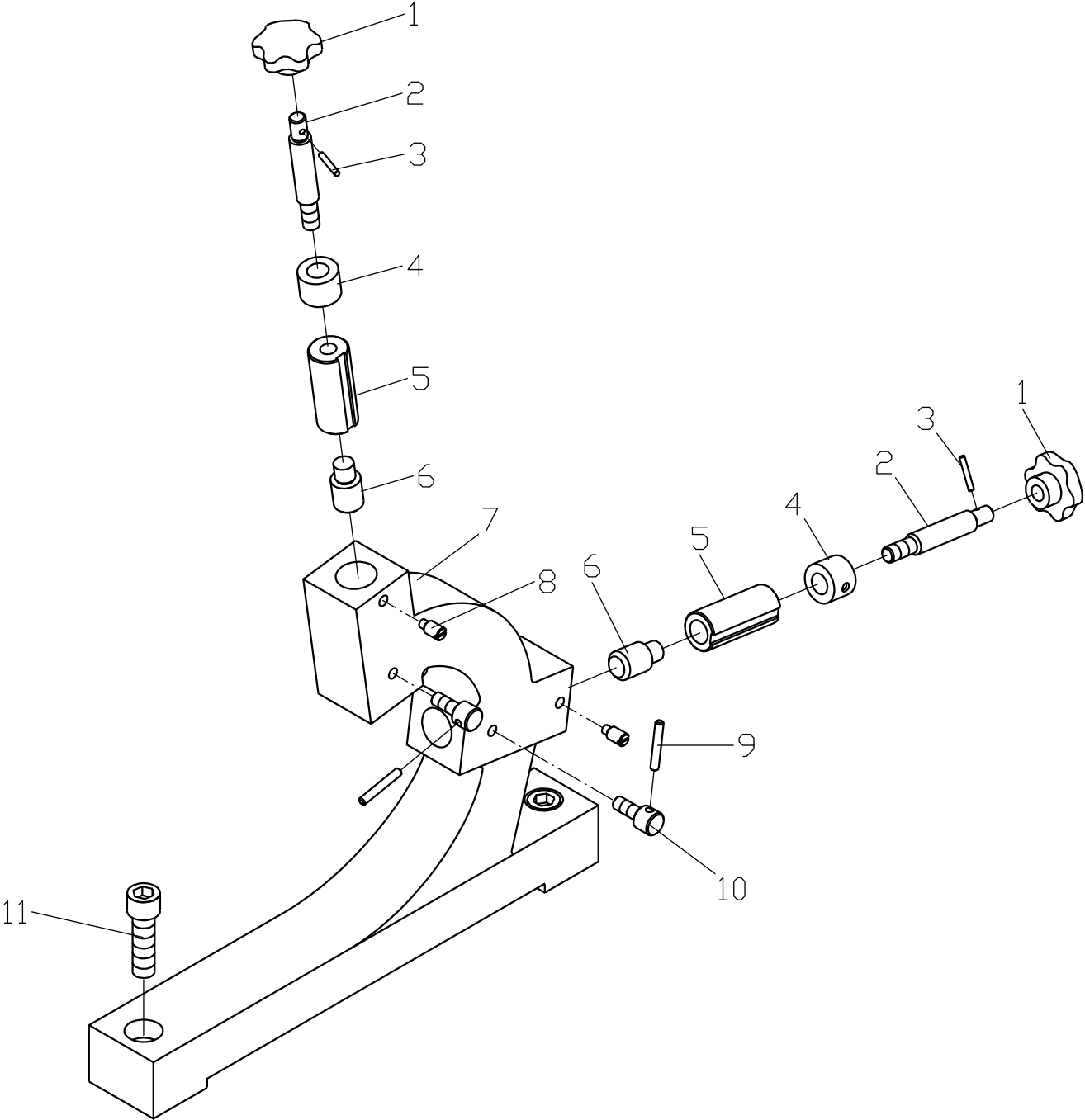
Steady Rest Assembly



Steady Rest Assembly

Index No.	Part No.	Description	Size	Qty.
1	GB4141.29-Φ12	A Type Asterisk Handle	Φ12	3
2	C6266C10702	Sliding Sleeve		3
3	GB117-4x25	Pin	4x25	3
4	C6266C10701	Slotted Set Screw		3
5	C6140ZK10B701	Lever (serial #1601ZH0794 and higher)		3
6	6000-2RS	Bearing (serial #1601ZH0794 and higher)	10x26x8	3
6a	C6140ZK10B702	Shaft (serial #1601ZH0794 and higher)		3
7	GB4141.29-M12	B Type Asterisk Handle	M12	1
8	C6250B10A102-G	Steady Rest Upper Body		1
9	C6140W10701	Screw		1
10	GB75-M10x16	Slotted Set Screw	M10x16	3
11	C6140W10704	Set Screw		3
12	GB119-A6x45	Pin	A6x45	3
13	GB119-A16x55	Pin	A16x55	1
14	C6250B10A101-G	Steady Rest Lower Body		1
15	GB119-A8x55	Pin	A8x55	1
16	GB56-M20	Hex Extra Thick Nut	M20	1
17	GB97.2-20	Washer	20	1
18	C6140W10104-G	Clamping Plate		1
19	C6140W10706	Square Head Bolt		1

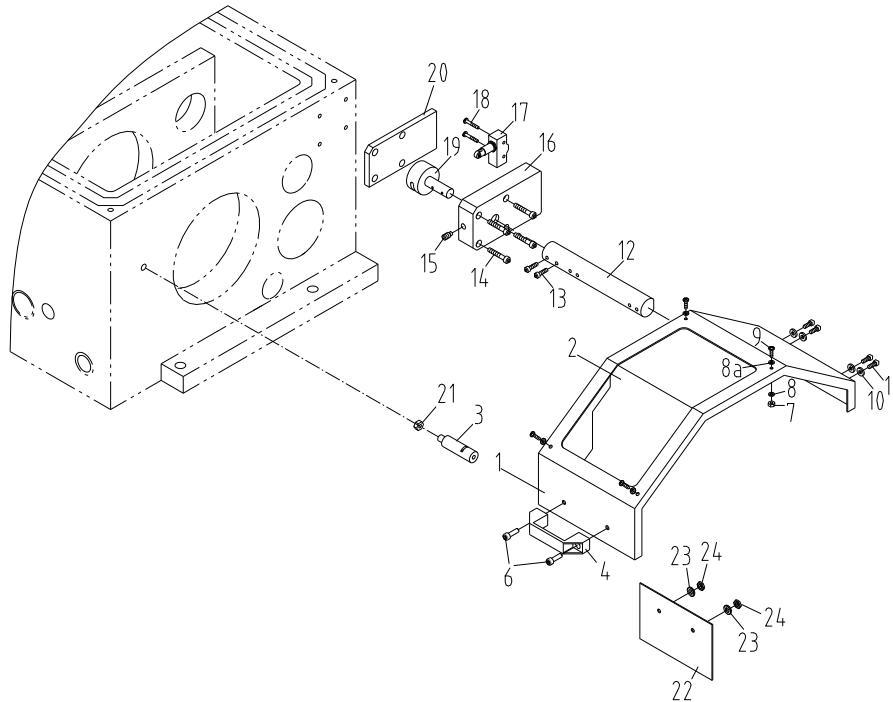
Follow Rest Assembly



Follow Rest Assembly

Index	Part			
No.	No.	Description	Size	Qty.
1	GB4141.29-Φ12	A Type Asterisk Handle	Φ12	2
2	C6250B10701	Screw		2
3	GB117-4x25	Pin	4x25	2
4	C6266C10704	Nut		2
5	C6266C10706	Sliding Sleeve		2
6	C6266C10302	Block		2
7	C6250B10103-G	Follow Rest Casting		1
8	GB75-M10x14	Slotted Set Screw	M10x14	2
9	GB119-6x45	Pin	6x45	2
10	C6140W10704	Set Screw		1
11	GB70-M16x55	Hex Socket Cap Screw	M16x55	2

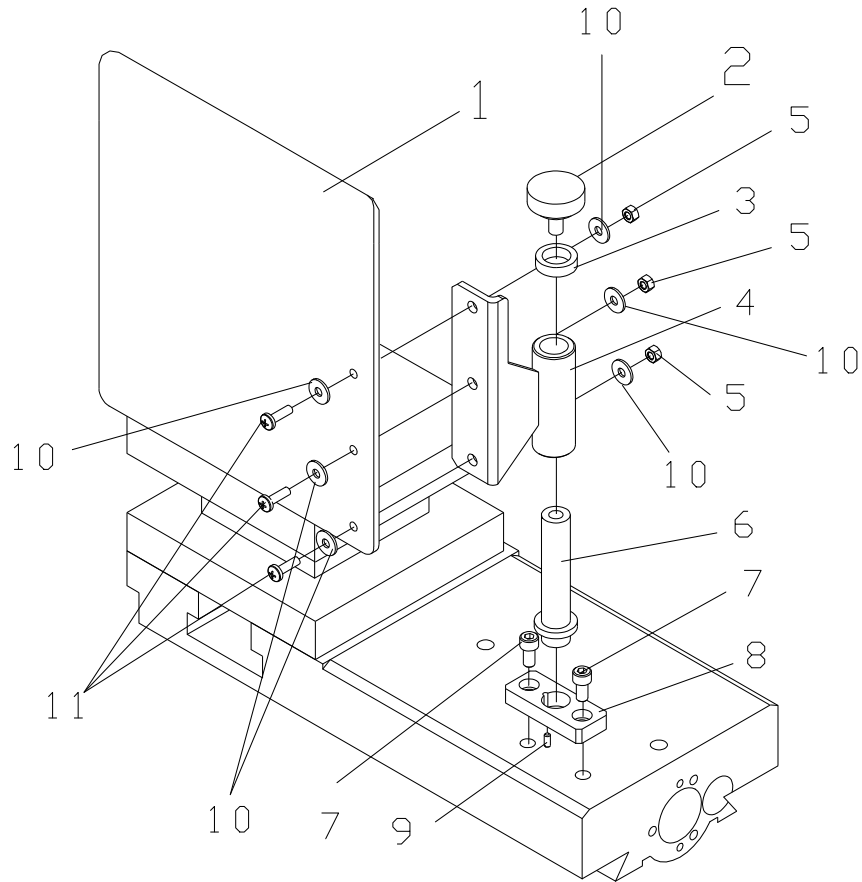
Safety Guard Cover



Safety Guard Cover

Index No.	Part No.	Description	Size	Qty.
1	C6250B19701	Protection Guard (serial #1601ZH0793 and lower)		1
	C6250B19701A	Protection Guard (serial #1601ZH0794 and higher)		1
2	ZX19501E	Protection Guard Visual Glass		1
3	ZX19704E	Fixing Rod		1
4	ZXS04E	Handle (serial #1601ZH0793 and lower)	Z96-6	1
	A=90 Black	Handle (serial #1601ZH0794 and higher)		1
6	GB70-M6x12	Hex Socket Cap Screw (serial #1601ZH0794 and higher)	M6x12	2
7	ZXS07E	Hexagon Thin Nut	M4	4
8	ZXS08E	Plain Washer	4	4
8a	GB96-4	Large Plain Washer	4	4
9	ZXS09E	Cross Recessed Pan Head Screw	M4x12	4
10	ZXS10E	Plain Washers	5	4
11	ZXS11E	Hexagon Socket Cap Head Screw	M5x16	4
12	ZX19703E	Rest Bar		1
13	ZXS13E	Slotted Set Screw	M8x10	2
14	ZXS14E	Hexagon Socket Cap Head Screw	M6x30	4
15	ZXS15E	Hexagon Socket Set Screw	M8x16	1
16	GH1440A19101E	Switch Box		1
17	SQ4E	Stroke Switch	LXW5-11Q1	1
18	ZXS18E	Slotted Pan Head Screw	M4x25	2
19	ZX19702E	Shaft		1
20	ZX19502E	Gasket		1
21	C6266CCGA21-M12	Nut	M12	1
22	C6250B19702	Board (serial #1601ZH0793 and lower)		1
	C6250B19702A	Board (serial #1601ZH0794 and higher)		1
23	GB6172-M6	Hex Nut	M6	2
24	GB97.2-6	Flat Washer	6	2

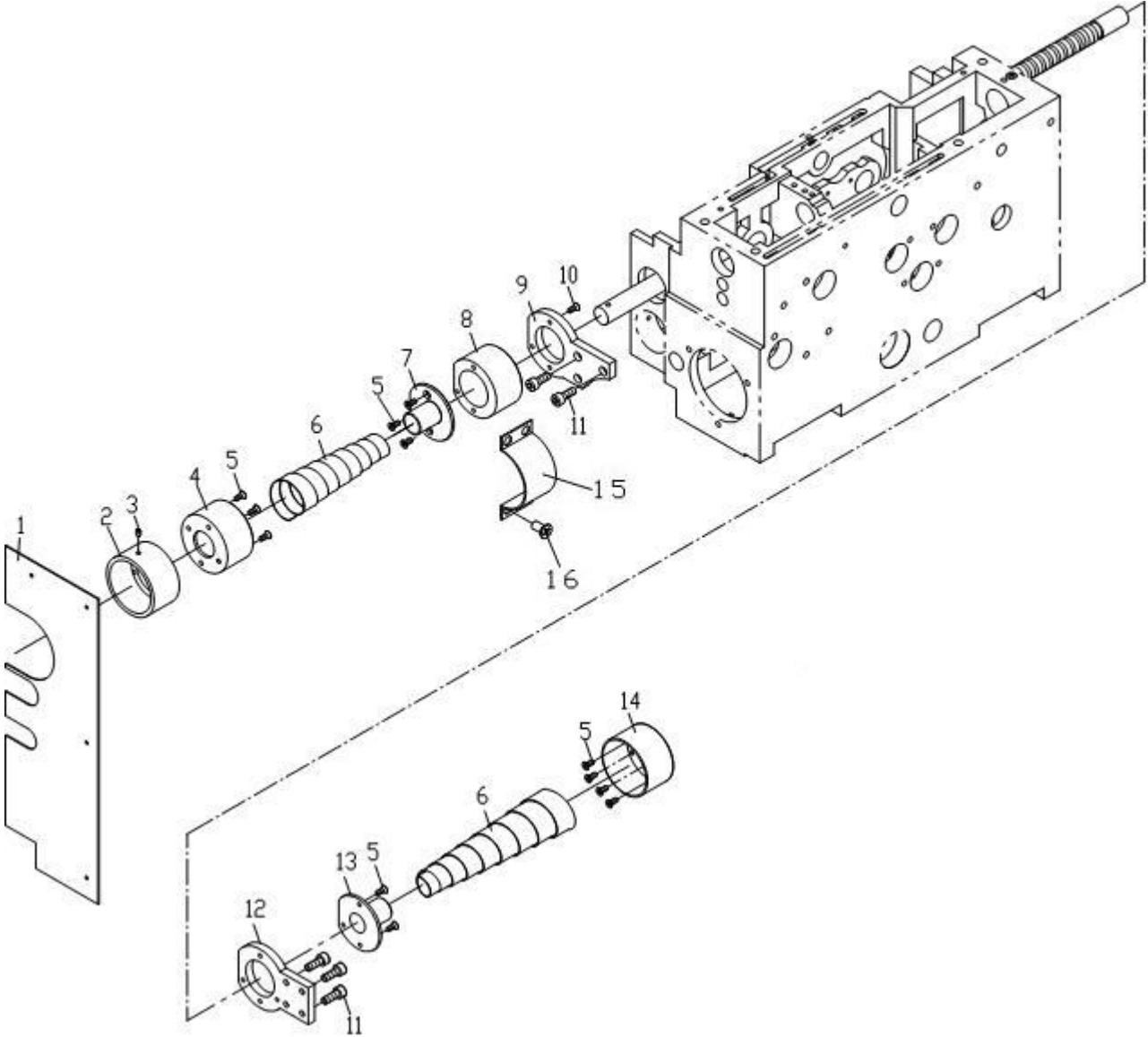
Parts List for Toolpost Protection Device



Parts List for Toolpost Protection Device

Index No.	Part No.	Description	Size	Qty.
1	C6266C20501	Shield		1
2	GH1640ZX20701	Clamping Screw		1
3	GH1640ZX20703	Washer		1
4	GH1640ZX20704	Sleeve		1
5	GB6170-M6	Nut	M6	3
6	GH1640ZX20705-1	Bracket		1
7	GB70-M8x16	Hex Socket Cap Screw	M8x16	2
8	GH1640ZX20705-2	Bracket		1
9	GB71-M4x8	Slotted Set Screw	M4x8	1
10	GB97.2-6	Flat Washer	6	6
11	GB818-M6x20	Cross Recessed Pan Head Screw	M6x20	3

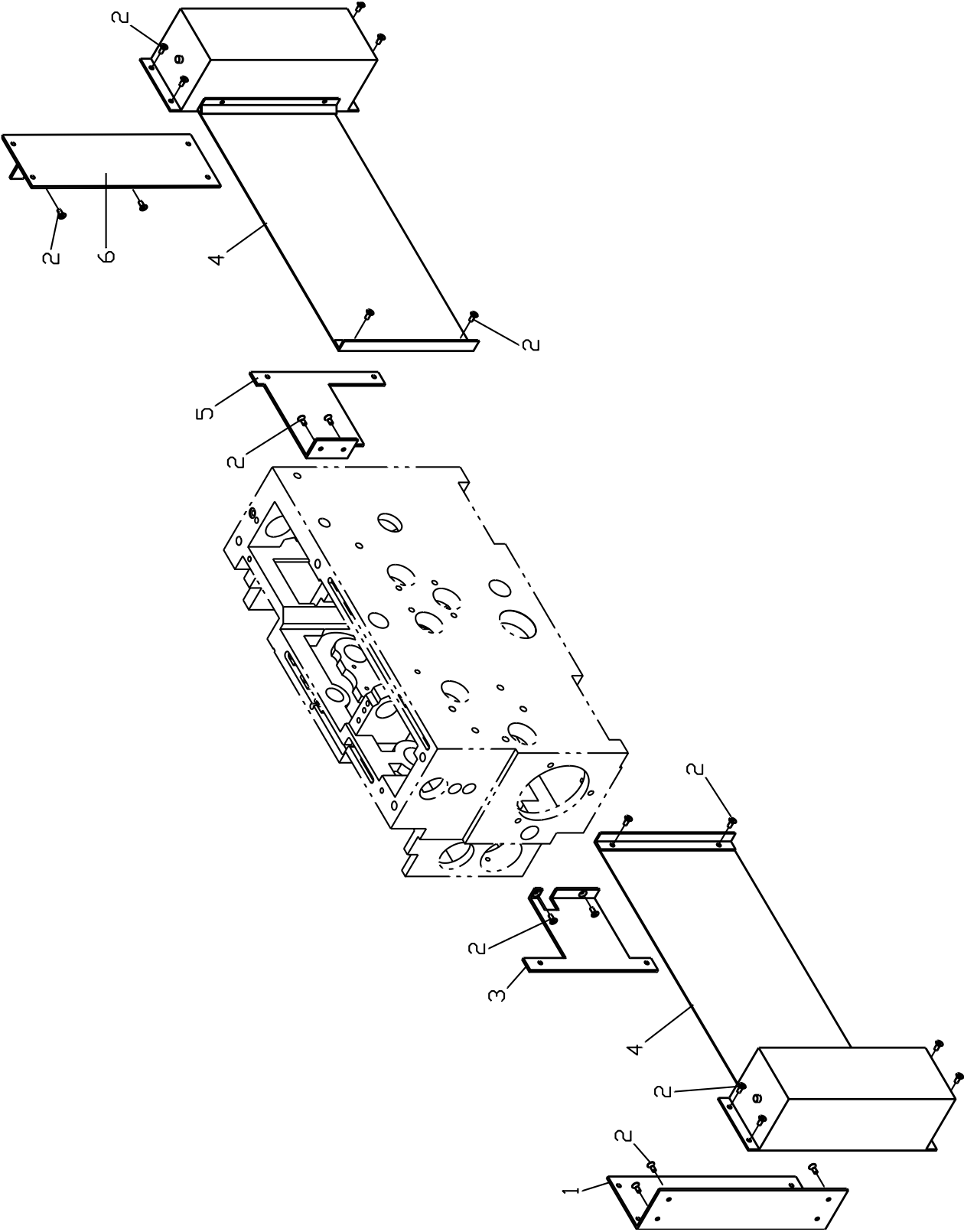
Parts List for Lead Screw Protection Device



Parts List for Lead Screw Protection Device

Index No.	Part No.	Description	Size	Qty.
1	C6140W05765-G	Side Plate		1
2	C6266C07701-1	Connect Sleeve		1
3	GB73-M5x8	Slotted Set Screw With Flat Point	M5x8	1
4	1440R07704	Sleeve		1
5	GB819-M5x12	Cross Recessed Countersunk Head Screw	M5x12	13
6	LGB-45-1000-75	Telescoping Sheet Cover (1000 Size)		2
	LGB-45-1500-100	Telescoping Sheet Cover (1500 Size)		2
	LGB-45-2000-120	Telescoping Sheet Cover (2000 Size)		2
7	1440R07702A	Flange		1
8	1440R07706A	Sleeve		1
9	C6266C07702A	Left Support		1
10	GB819-M5x18	Cross Recessed Head Screw	M5x18	3
11	GB70-M6x16	Hex Socket Cap Screw	M6x16	7
12	C6266C07703	Right Support		1
13	1440R07702A	Flange		1
14	1440R07705A	Right Flange		1
15	C6266C11708	Cover		1
16	GB819-M5x10	Cross Recessed Countersunk Head Screw	M5x10	4

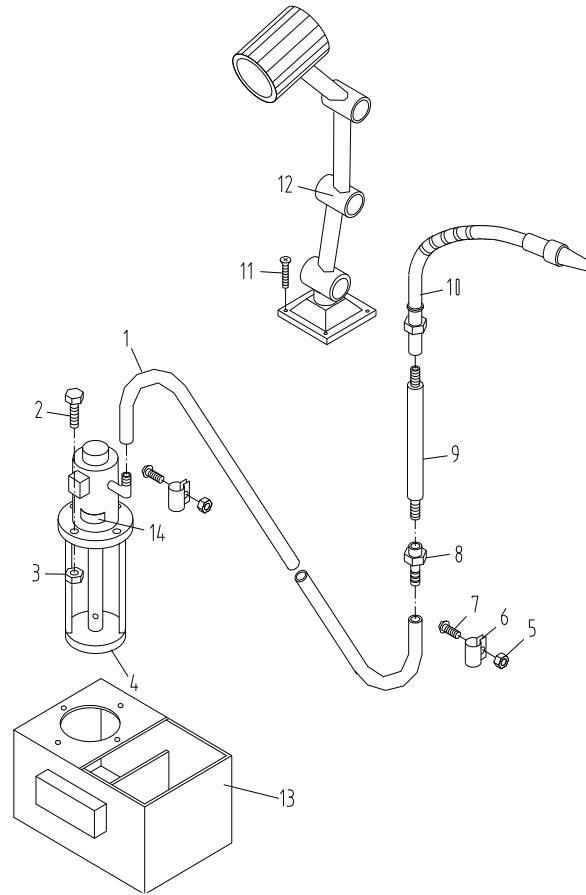
**Parts List for Lead Screw Protection Device
For GH-20120ZH**



**Parts List for Lead Screw Protection Device
For GH-20120ZH**

Index No.	Part No.	Description	Size	Qty.
1	C6266C07705-G	Front Left Support		1
2	GB819-M4x8	Cross Recessed Head Screw	M4x8	20
3	C6266C07706-G	Front Right Support		1
4	C6266CLSG004	Roll-up Cover	3000	2
5	C6266C07707-G	Back Left Support		1
6	C6266C07708-G	Back Right Support		1

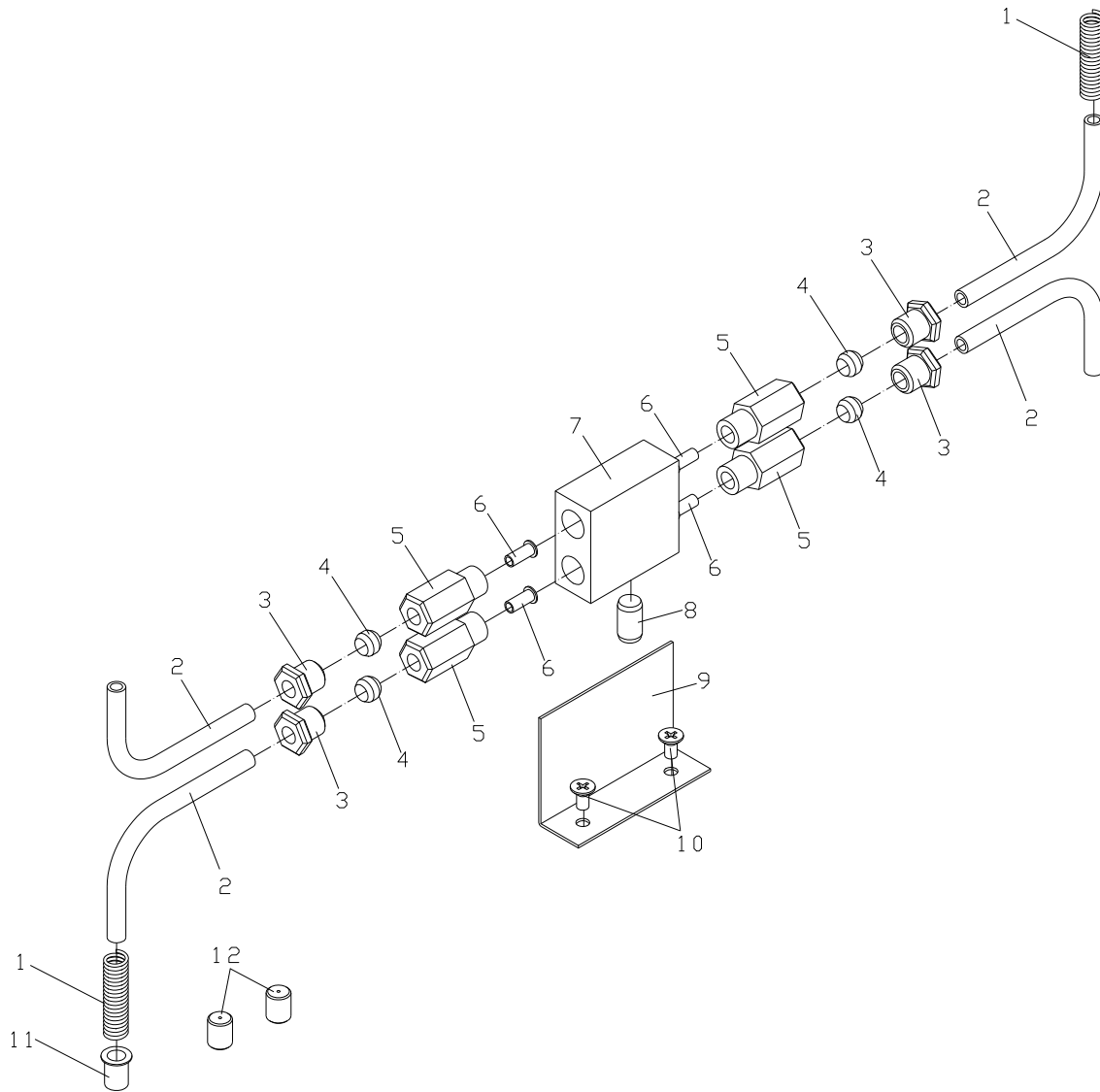
Coolant & Work Light Assembly



Coolant & Work Light Assembly

Index No.	Part No.	Description	Size	Qty.
1	AB-25-ID1/2" × 1280	Rubber Tube (For GH-2040ZH only)	ID 1/2" × 1280	1
	AB-25-ID1/2" × 1780	Rubber Tube (For GH-2060ZH only)	ID 1/2" × 1780	1
	AB-25-ID1/2" × 2280	Rubber Tube (For GH-2080ZH only)	ID 1/2" × 2280	1
	AB-25-ID1/2" × 3000	Rubber Tube (For GH-20120ZH only)	ID 1/2" × 3000	1
2	GB5782-M6×16	Hexagon Head Bolt (For GH-2040/60/80ZH)	M6×16	4
	GB70-M6 x16	Hex Socket Cap Screw (For GH-20120ZH only)	M6×16	4
3	GB6172-M6	Hex Nut	M6	4
4	AB-25-1/8HP	Coolant Pump	1/8HP	1
5	GB41-M6	Hex Nut	M6	2
6	C613601727	Clip For Rubber Tube		1
7	GB818-M6×20	Cross Recessed Pen Head Screw	M6×20	2
8	C6140W01731	Fitting		1
9	C6140W01730	Flow Pipe		1
10	AB-25-1/2" × 16×700	Coolant Tube	1/2" × 16×700	1
11	GB70-M6×20	Hex Socket Cap Screw	M6×20	4
12	JC52	Light (serial #1601ZH0793 and lower)	24V 50W	1
	JC52B	Light (serial #1601ZH0794 and higher)	24V 3W	1
	ZX-ELB	Bulb for led work light JC52B	3W,24V	1
13	ZX01510	Coolant Tank		1
14	K989	Label		1

Carriage Lubrication



Carriage Lubrication– Parts List

Index No.	Part No.	Description	Size	Qty.
1	GB2089-1x8x30	Spring	1x8x30	2
2		Nylon Pipe	Φ6x1	4
3	CB-6	Vitta Tie-in	M10x1	4
4	CS-6	Clip Sleeve	Φ6	4
5		Tie-in	M10x1	4
6	T1-6	Bushing	Φ6	4
7	C6266C04730	Connector		1
8	GB119-8x10	Pin	8x10	1
9	C6266C04731	Cover		1
10	GB819-M4x8	Cross Recessed Countersunk Head Screw	M4x8	2
11	C6266C04302Y	Bushing		1
12	C6266C04303Y	Plug		2

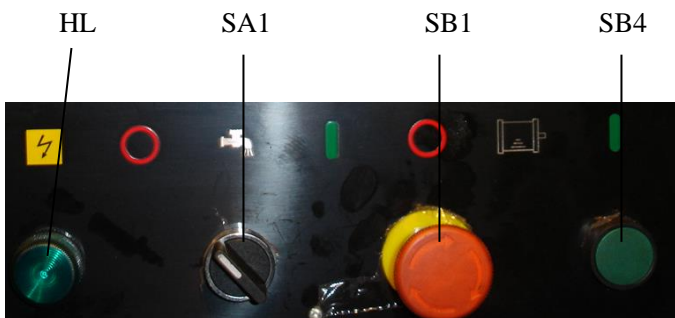
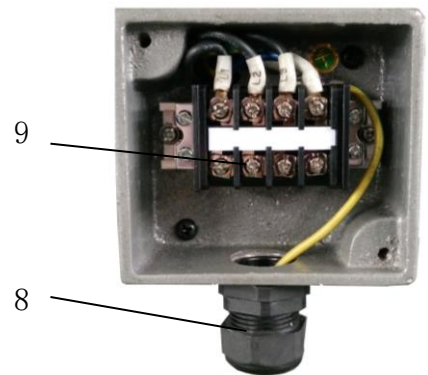
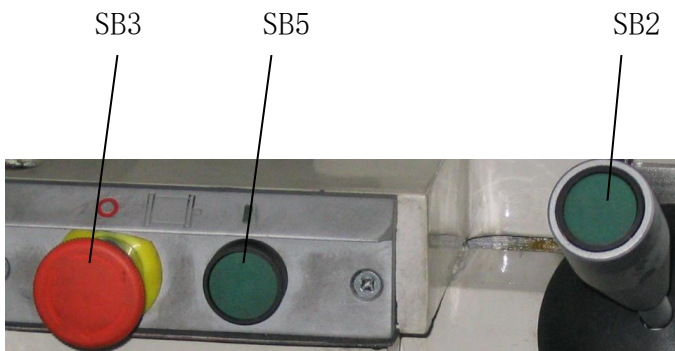
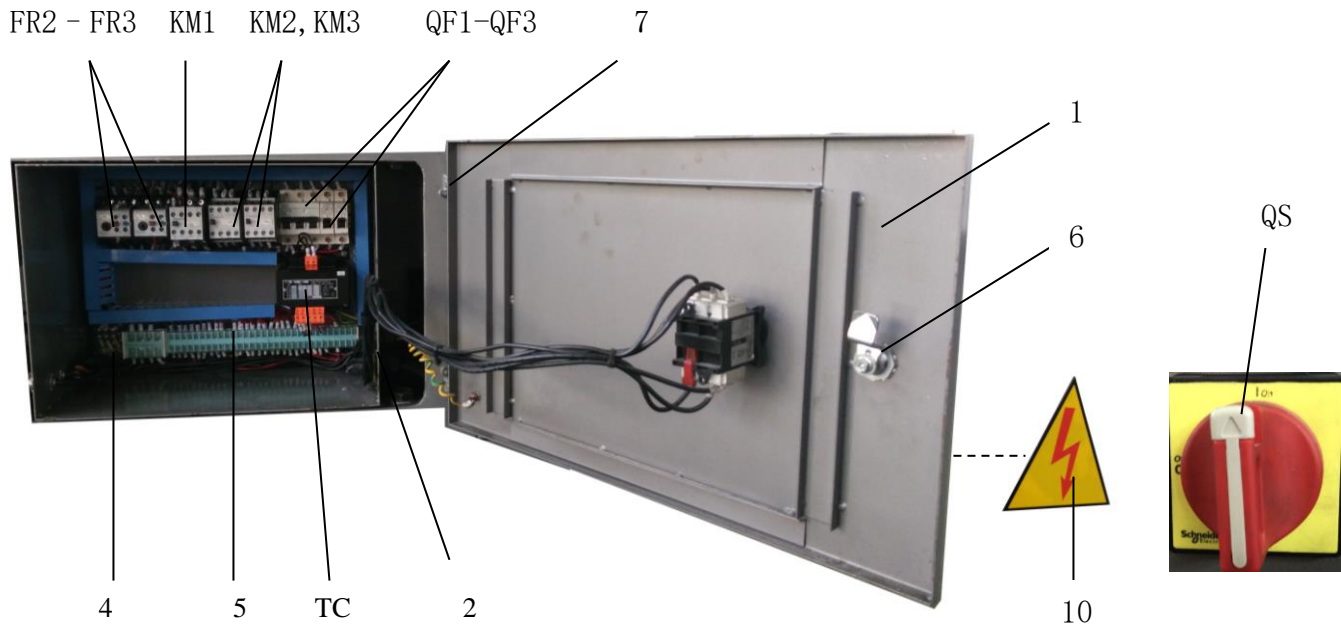
Toolbox, Accessories, and Attachments



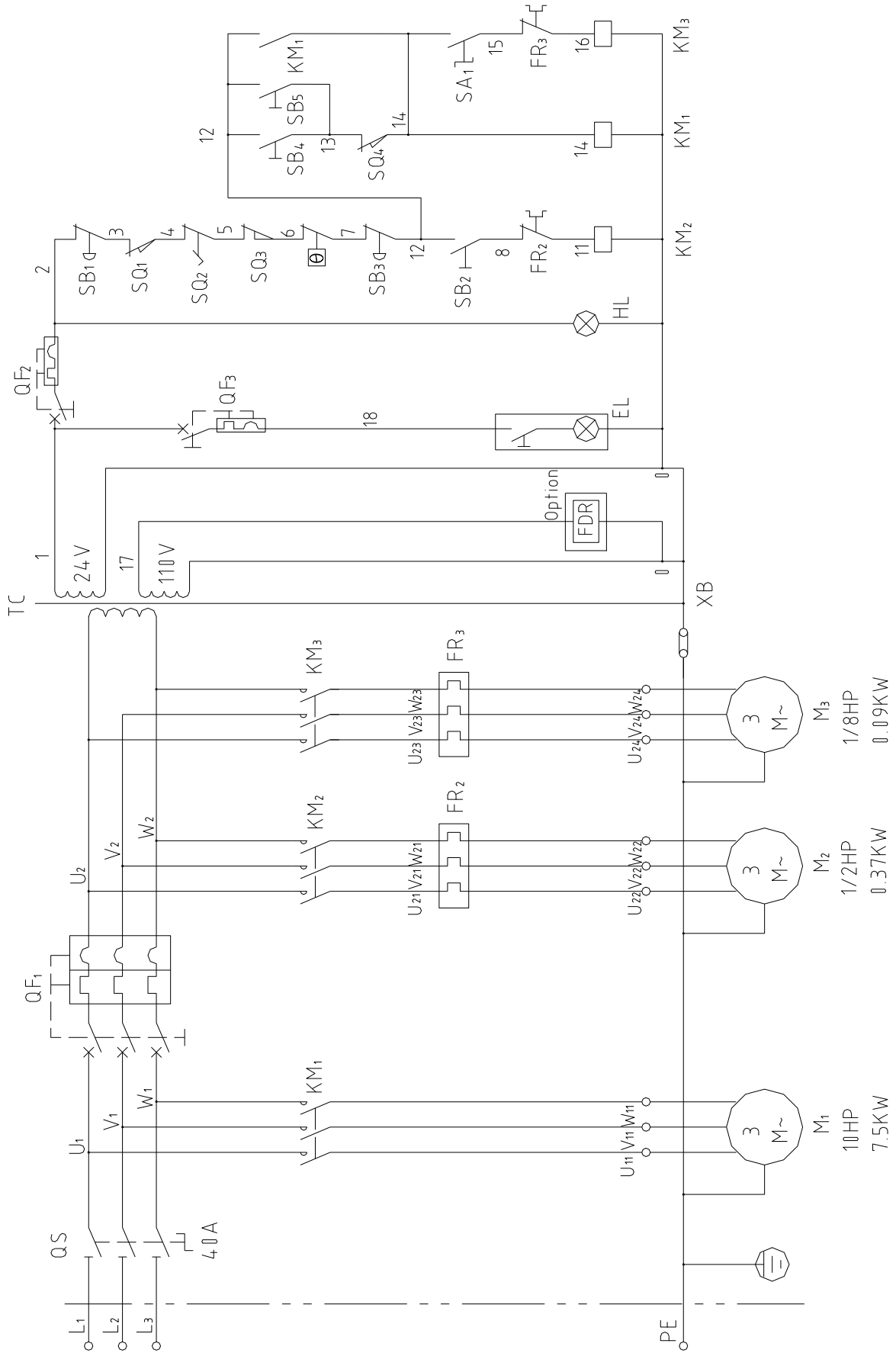
Toolbox, Accessories, and Attachments

Index No.	Part No.	Description	Size	Qty.
1	ZXOP-1A	3-Jaw Scroll Chuck (not shown)	.250, D1-8	1
2	ZXOP-2A	4-Jaw Independent Chuck (not shown)	.320, D1-8	1
3	1440R09103	Drive Plate		1
4	RNS-45-52	Round Nut Spanner	.45-52	1
	RNS-100-110	Round Nut Spanner	.100-110	1
	RNS-115-130	Round Nut Spanner	.115-130	1
5	ZXOP-03N	Face Plate	.400	1
6	C6266C11103	Helical Gear	m3.75z14	1
7	ZXOP-MT7/ZXOP-08	Morse Reduction Sleeve *	MT7/MT5	1
8	ZX-OP-07N	Live Center *	MT5	1
9	ZX-OP-06	Dead Center *	MT5	1
10	1440R09703	Drive Pin (not shown)		2
11	ZXOP-05	Cam Wrench *		1
12	ZXOP-2B	Chuck Wrench *		1
13	ZXOP-04	Tool Post Wrench *		1
14	ZH-2517	Gap Bridge Pin Driver *		1
15	ZH-2518	Drift Key *		1
16		Hex Key Set *	.2, 3, 4, 6, 8, 10, 12	one of each
17		Bolts (ZH-2040/60/80) *	M16x115	6
		Bolts (ZH-20120)	M16x115	8
18		Hex Nut (ZH-2040/60/80) *	M16	6
		Hex Nut (ZH-20120)	M16	8
19	DTH-120	Pads (ZH-2040/60/80) * (serial #1901ZH0962 and higher)		6
	DTH-120	Pads (ZH-20120) (serial #1901ZH0962 and higher)		8
20	ZX-OP-14	Flat Blade Screw Driver *		1
21	ZX-OP-15	Cross Point Screw Driver *		1
22		Open End Wrench Set *	.17-19	1
		Open End Wrench Set *	.19-22	1
23	ZX-OP-09	Oil Gun *		1
24	GB70- M16x50	Hex Socket Head Cap Screw	M16x50	2
25	ZH-TBC	Tool Box Complete, ZH Lathes (includes items with asterisk *)		

Electrical Components



Electrical Diagram



Electrical Components-Parts List

Index No.	Part No.	Description	Model	Size	Qty.
M1	Y132M-4TH/B3	Main Motor	Y132M-4TH/B3	10HP, 3PH, 400V, 50HZ	1
M2	YSS5634-G	Rapid Feed Motor	YSS5634-G	1/2HP, 3PH, 400V	1
M3	ZX-CW04E	Coolant Pump	ZX-CW04E	1/8HP, 3PH, 400V	1
QF	ZH-QF	Master Switch (serial #1601ZH0793 and lower)	JFD11	40A, 3P	1
QS	ZH-QS	Master Switch (serial #1601ZH0794 and higher)	V2C	40A, 3P	1
TC	ZH-TC	Control Transformer	JBK5-160VATH	400V/110V, 24V	1
FR2	ZH-FR2	Thermal Relay(serial #1905ZH1002 and lower)		3UA59	1
				1.6-2.5A	1
	ZH-FR2-1	Thermal Relay(serial #1907ZH1011and higher)		3US50 40-1C; 3US1950	1
				1.6-2.5A	1
FR3	ZH-FR3	Thermal Relay(serial #1905ZH1002 and lower)		3UA59	1
				0.25-0.4A	1
	ZH-FR3-1	Thermal Relay(serial #1907ZH1011and higher)		3US50 40-0E; 3US1950	1
				0.25-0.4A	1
KM1	ZX-KM3	A.C. Contactor	3TB43	Coil Voltage 24V, 22A	1
KM2, KM3	ZX-KM2	A.C. Contactor	3TB40	Coil Voltage 24V, 9A	2
QF1	ZH-QF1	Circuit Breaker (serial #1601ZH0794 and higher)	DZ47-63	3 Poles, 4A	1
QF2, QF3	ZH-QF2	Circuit Breaker (serial #1601ZH0794and higher)	DZ47-63	1 Pole, 3A	2
SQ1	ZH-SQ1	Door Switch	QKS8		1
SQ2	ZH-SQ2	Limit Switch	JW2A-11H/W1		1
SQ3	ZH-SQ3	Micro Switch	LXW5-11Q		1
SQ4	ZH-SQ4	Micro Switch	LXW5-11Q		1
SB1, SB3	ZH-SB1	Button	ZB2-BE102C; ZB2-BS54C	Red	2
SB2	ZH-SB2	Button	XB2-EA131	Green	1
SB4, SB5	ZH-SB4	Button(serial #1901ZH0983 and lower)			2
				XB7-EA1C	Green
	ZH-SB4-1	Button(serial #1904ZH0984 and higher)			2
				ZB2-BE101C; ZB2-BA3C	Green
SA1	ZH-SA1	Turning Switch	ZB2-BE101C; ZB2-BD2C	Black	1
HL	ZH-HL	Indicator Light	XB2EV163	24V, Green	1
1	C6266C18715-G	Electric Box Door			1
2	C6266C18713-G	Electric Box			1
4	C613218306	Copper Plate (for grounding)			1
5	JH9-2.5/4+1.5/31	Wiring Board			1
6	MS-705	Lock			1
7	C6140W18705	Small Shaft			2
	C6140W18706	Pin Shaft			2
	GB6170-M8	Hex Nut		M8	2
8	PG13.5-M20x1.5	Sheathed Wire Head		M20x1.5	1
9	AZ1-2004	Wiring Board			1
	GB818-M4x6	Cross Recessed Pan Head Screw		M4x6	2
	GB97.2-4	Flat Washer		4	2
10	GHB1340A18508-6	Warning Label			1

Digital Scale Units

Index	Part			
No.	No.	Description	Size	Qty.
1	Di Ma.....	Digital Scale Units (For GH-2040ZH only)	400 × 200 × 900	1Set
2	Di Ma.....	Digital Scale Units (For GH-2060ZH only)	400 × 200 × 1400	1Set
3	Di Ma.....	Digital Scale Units (For GH-2080ZH only)	400 × 200 × 1900	1Set
4	Di Ma.....	Digital Scale Units (For GH-20120ZH only)	400 × 200 × 2900	1Set

Flexible Stainless Wire Woven Tube

Index	Part			
No.	No.	Description	Size	Qty.
1	ZH-TPDRO40	Flexible Stainless Wire Woven Tube for Protecting DRO Cable (for 2040ZH with DRO)	M16×1.5-3m	1
2	ZH-TPDRO60	Flexible Stainless Wire Woven Tube for Protecting DRO Cable (for 2060ZH with DRO)	M16×1.5-3.5m	1
3	ZH-TPDRO80	Flexible Stainless Wire Woven Tube for Protecting DRO Cable (for 2080ZH with DRO)	M16×1.5-3.9m	1
4	ZH-TPDRO120	Flexible Stainless Wire Woven Tube for Protecting DRO Cable (for 26120ZH with DRO)	M16×1.5-5m	1
5	ZH-TPCG	Flexible Stainless Wire Woven Tube for Protecting Chuck Guard Cable	M16×1.5M16×1.5-1.6m	1