

J E T

JWL-1642

WOOD LATHE

708359LM

230/50/1

**PARTS LIST
ERSATZTEILLISTE
LISTE DE PIECES**

WMH Tool Group AG

Bahnstrasse 24, CH – 8603 Schwerzenbach

www.wmhtoolgroup.ch; info@wmhtoolgroup.ch

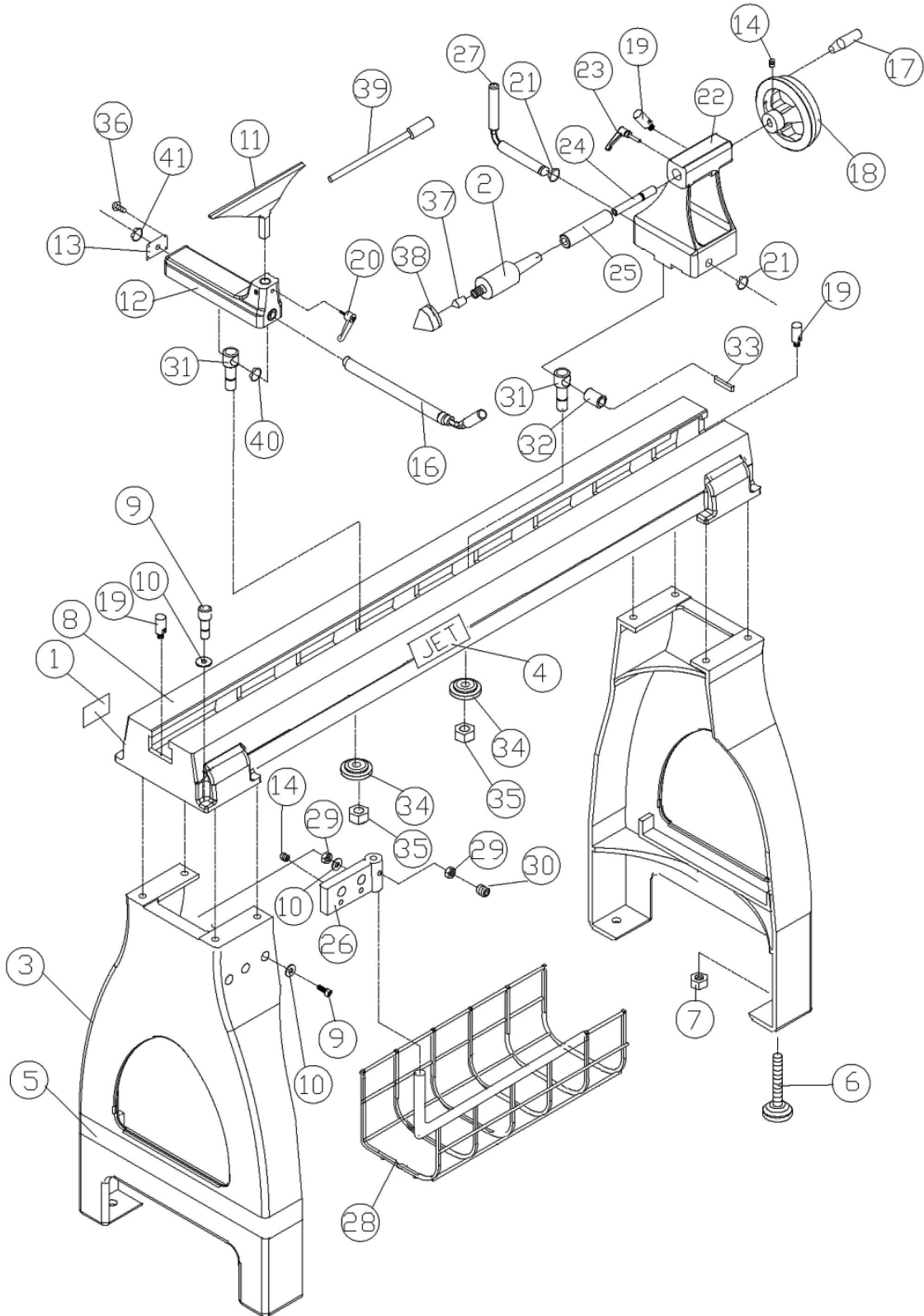
Tel +41 (0) 1 806 47 48

Fax +41 (0) 1 806 47 58



P-708359M 08/04

Stand and Bed Assembly



Parts List for the JWL-1642 Woodworking Lathe

Stand and Bed Assembly

Index No.	Part No.	Description	Size	Qty.
1	JWL1642-201E	I.D. Label		1
2	JWL1642-202	Live Center	MT2	1
3	JWL1642-203	Stand		2
4	JWL1442-219	JET Label		1
5	JWL1642-205	JET Stripe		2
6	JWL1642-206	Adjustable Foot	3/8"	4
7	TS-0561031	Hex Nut	3/8"	4
8	JWL1442-201	Bed		1
9	TS-0208081	Hex Socket Cap Screw	5/16"-18 x 1-1/2"	10
10	TS-0680032	Flat Washer	5/16"	12
11	JWL1642-211	Tool Rest		1
12	JWL1442-207	Tool Rest Base		1
13	JWL1442-208	End Cover		1
14	TS-0267021	Set Screw	1/4"-20 x 1/4"	4
16	JWL1442-210A	Tool Support Rod		1
17	JWL1442-211	Handle		1
18	JWL1442-212	Handwheel		1
19	JWL1442-202	Stud		3
20	JWL1442-206	Tool Support Handle	3/8"	1
21	JWL1442-124	C-Ring	S19	2
22	JWL1642-222	Tailstock		1
23	JWL1442-218	Tailstock Quill Handle	5/16"	1
24	JWL1442-214	Lead Screw		1
25	JWL1442-215E	Quill		1
26	JWL1642-226	Bracket		1
27	JWL1442-217	Tailstock Rod		1
28	JWL1642-228	Storage Basket		1
29	TS-0570021	Hex Nut	5/16"	3
30	TS-0270061	Set Screw	5/16"-18 x 5/8"	1
31	JWL1442-128	Clamp Bolt		2
32	JWL1442-127	Bushing		1
33	JWL1442-126	Key	5 x 5 x 30	1
34	JWL1442-154	Clamp		2
35	TS-0561081	Hex Nut	3/4"-10	2
36	6295736	Hex Socket Cap Screw	10-24 x 1/2"	4
37	JWL1642-237	Tip		1
38	JWL1642-238	Cap		1
39	JWL1642-239	Knockout Rod		1
40	JWL1442-228	C-Ring	S25	1
41	JWL1442-229	C-Ring	S18	1
	JWL1642-TCA	Tailstock Complete Assembly (not shown)		1
	JWL1642-TRCA	Tool Rest Complete Assembly (not shown)		1

Parts List for the JWL-1642 Woodworking Lathe

Headstock Assembly

Index No.	Part No.	Description	Size	Qty.
1	JWL1642-101E	Headstock		1
2	JWL1642-102	Spur Center	MT2	1
3	JWL1642-103E	Face Plate	6"	1
4	JWL1642-104E	Spindle		1
5	BB-6207ZZ	Ball Bearing	6207ZZ	1
6	VB-180J	Poly-V Belt	180J	1
7	TS-0270011	Set Screw	5/16"-18 x 1/4"	4
8	JWL1642-108	Spindle Pulley		1
9	JWL1642-109	Wave Washer	ø49	1
10	BB-6205ZZ	Ball Bearing	6205ZZ	1
11	TS-0207041	Hex Socket Cap Screw	1/4"-20 x 3/4"	1
12	JWL1642-112	Lock Nut	M22	1
13	TS-0207021	Hex Socket Cap Screw	1/4"-20 x 5/8"	4
14	JWL1642-114	Hand Wheel		1
15	JWL1442-164	Knockout Rod		1
16	JWL1642-116E	Motor	1.5 HP	1
	JWL1642-MFC	Motor Fan Cover (not shown)		1
	JWL1642-MF	Motor Fan (not shown)		1
17	JWL1642-117	Handle	3/8"-16 x 1"	1
18	TS-0680042	Flat Washer	3/8"	1
19	TS-228820	Flat Head Screw	M8 x 20	4
20	TS-0209051	Hex Socket Cap Screw	3/8"-16 x 1"	1
21	TS-0720091	Lock Washer	3/8"	1
22	JWL1642-122	Motor Assembly Plate		1
23	JWL1642-123	Knob		1
24	JWL1642-124	Motor Pulley		1
25	TS-0267021	Set Screw	1/4"-20 x 1/4"	4
26	TS-0206031	Socket Head Cap Screw	#10-24 x 5/8"	4
27	JWL1642-127	Tap Screw	M3x10	4
28	JWL1642-128E	DRO Cover		1
29	JWL1642-129	Plate		1
30	JWL1642-130E	Digital Readout		1
31	TS-1540011	Nut	M3	2
32	TS-236103	Lock Washer	M3	2
33	TS-2283202	Round Head Screw	M3 x 20	2
34	JWL1642-134	Tapping Screw	1/4" x 1/2"	2
35	JWL1642-135	Bracket		1
36	JWL1642-136	Label Control Panel		1
37	JWL1642-137	Push/Pull Switch		1
38	TS-0206011	Socket Head Cap Screw	#10-24 x 3/8"	8
39	JWL1642-139	Panel Cover		1
40	JWL1442-116	Spring		1
41	JWL1642-141	Fwd/Rev Switch		1
42	JWL1642-142	Variable Speed Control		1
43	JWL1642-143	Variable Speed Knob		1
44	JWL1642-144E	Speed Label		1
45	JWL1642-145	Belt Door		1
46	JWL1642-146E	Knob		1
47	JWL1642-147	O-Ring		1
48	JWL1442-122	Spindle Lock Pin		1

Index No.	Part No.	Description	Size	Qty.
49	JWL1642-149	Retaining Washer		1
50	JWL1442-121	Bracket		1
51	JWL1442-153	Plate		1
52	TS-0720041	Lock Washer	#8	2
53	JWL1642-155	Pad		1
54	JWL1642-154	Door Hinge		1
55	TS-056006	Hex Nut	#8-32	2
56	JWL1442-127	Bushing		1
57	JWL1442-128	Clamp Bolt		1
58	JWL1442-154	Clamp		1
59	TS-0561081	Hex Nut	3/4"-10	1
60	JWL1442-124	C-Ring	S19	2
61	JWL1642-161	Lever		1
62	JWL1642-162	Handle		1
63	JWL1642-163	Key	5 x 5 x 40	1
64	JWL1642-164E	Inverter		1
65	JWL1642-165E	Strain Relief	PG9	1
66	JWL1642-166E	Bracket		1
67	TS-0270011	Set Screw	5/16"-18 x 1/4"	1
68	JWL1642-168	Plunger		1
69	JWL1642-169	Braking Resistor		1
70	JWL1642-170	Signal Cord		1
71	JWL1642-171E	Power Cord		1
72	JWL1642-172E	Motor Cord		1
73	JWL1642-173E	Motor Label		1
74	JWL1642-174	Collar		1
75	JWL1442-169	Index Pin		1
76	JWL1642-176	Key	8 x 8 x 90	1
77	TS-0051021	Hex Head Bolt	5/16"-18 x 5/8"	4
78	JWL1442-126	Key	5 x 5 x 30	1
79	JWL1642-179	Guard		1
80	JWL1642-180	Guard Bracket		1
81	TS-0209071	Hex Socket Cap Screw	3/8"-16 x 1-1/2"	2
82	TS-0720091	Lock Washer	3/8"	2
83	JWL1642-183	Cable Clamp		1
84	TS-056007	Hex Nut	#10	3
85	JWL1642-185	Cable Clamp		1
86	TS-0206021	Hex Socket Cap Screw	#10-24 x 1/2"	1
87	JWL1642-187	Collar		2
88	JWL1642-188	Hex Nut		2
89	TS-1524031	Set Screw	M8x12	2
90	JWL1642-190E	Pan Head Screw	#10-24x5/8"	2
91	JWL1642-191E	Flat Washer	#10	2
92	JWL1642-194E	Safety Plate		1
93	JWL1642-193E	Inverter Label		2
95	JWL1642-195E	Inverter Guard		1
96	JWL1642-196E	Strain Relief	PG13.5	4

JWL-1642 708359LM

	colour of strands	Litzenfarben	couleur des cordons
BK	black	schwarz	noir
WH	white	weiß	blanc
BU	blue	blau	bleu
YE	yellow	gelb	jaune
RD	red	rot	rouge
BN	brown	braun	brun
GY	grey	grau	gris
GNYE	green-yellow	grün-gelb	vert-jaune
OG	orange	orange	orange
VT	violet	violett	violet

	meaning of symbol	Bedeutung der Zeichen	interprétation
M	motor	Motor	moteur
S	switch	Schalter	interrupteur
C	condenser	Kondensator	condensateur
E	electronic unit	Elektronik Einheit	unité électronique
F	fuse	Sicherung	fusible
RS	reversing switch	Drehrichtungsschalter	commu. droite/gauche
S	centrifugal switch	Fliehkraftschalter	déclencheur centrifuge
OL	overload cut-off	Überlastschuttschalter	déclencheur surcharge
LS	limit switch	Positionsendschalter	micro

230/50/1

