

JET

**HBS-1319V
MBS-1319VS**

HORIZONTAL BANDSAW

HBS-1319V...50000441T .. 3~400V, 50Hz

MBS-1319VS..50000442T.. 3~400V, 50Hz

PARTS LIST



JPW Tool Group Hong Kong Limited

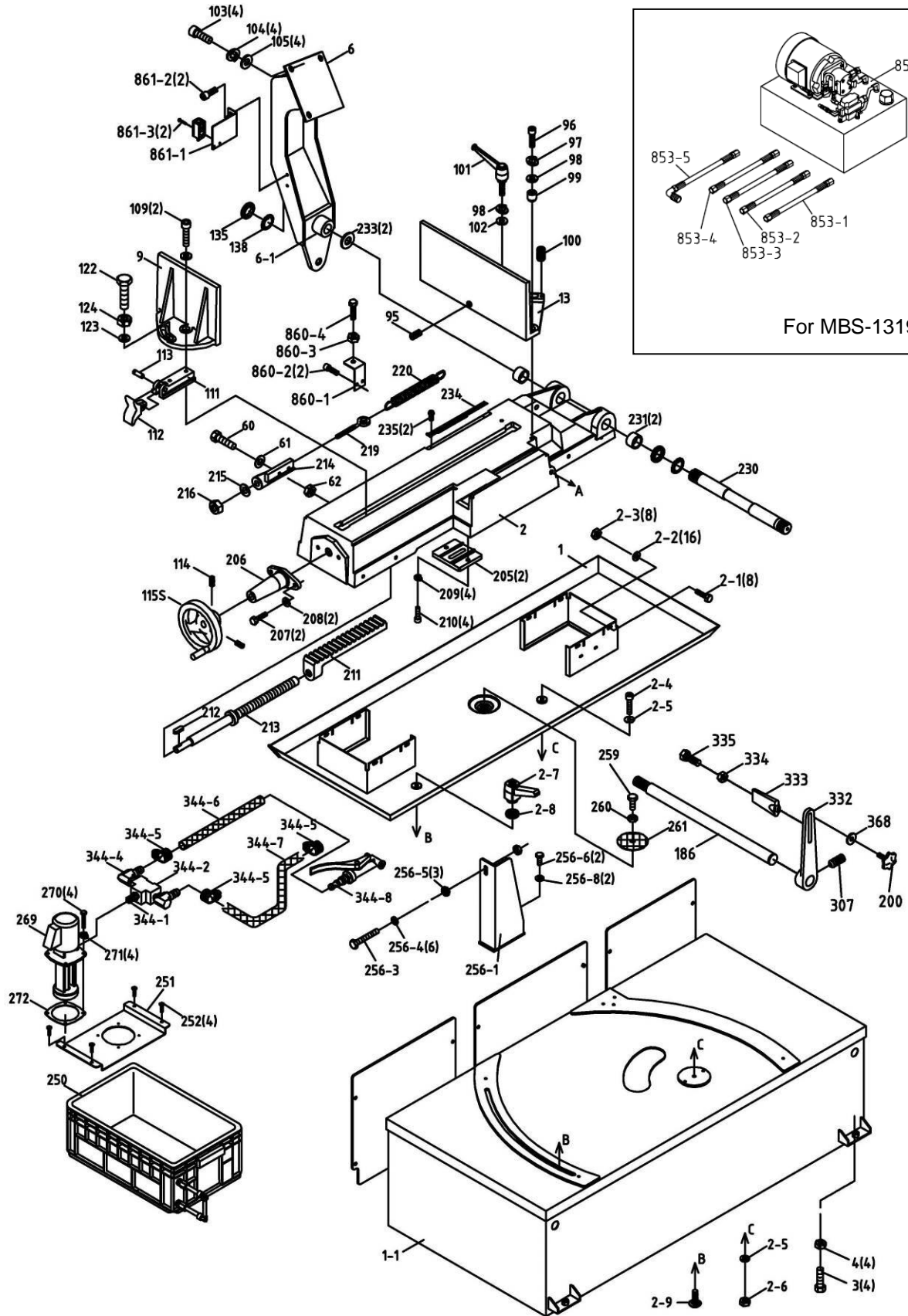
98 Granville Road, Tsimshatsui East, Kowloon, Hong Kong, PRC
www.jettools.com

Импортер в РФ: ООО «ИТА Технолоджи»

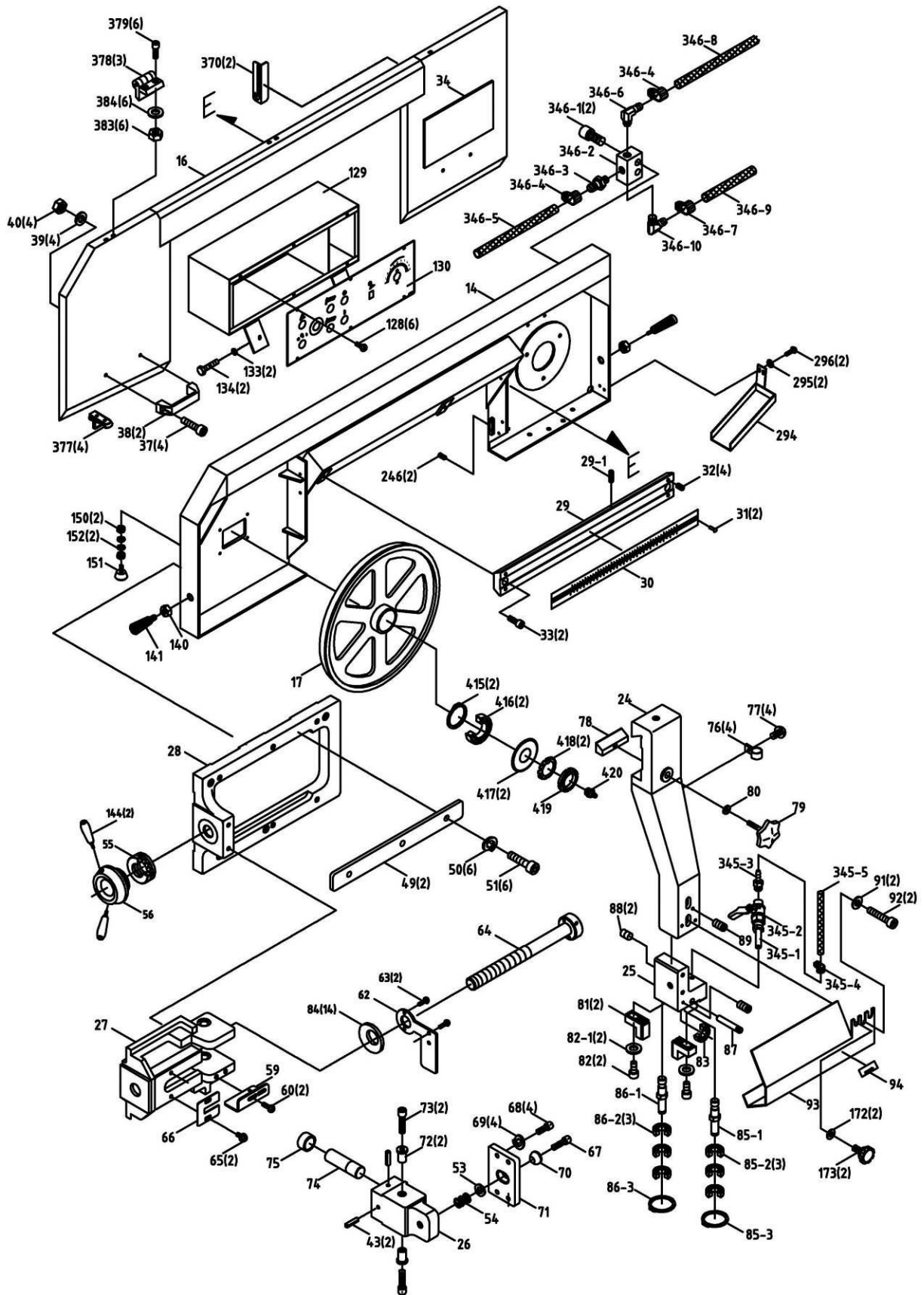
105082, Москва, Переведеновский пер., д. 17
www.jettools.ru

Made in Taiwan / Сделано на Тайване

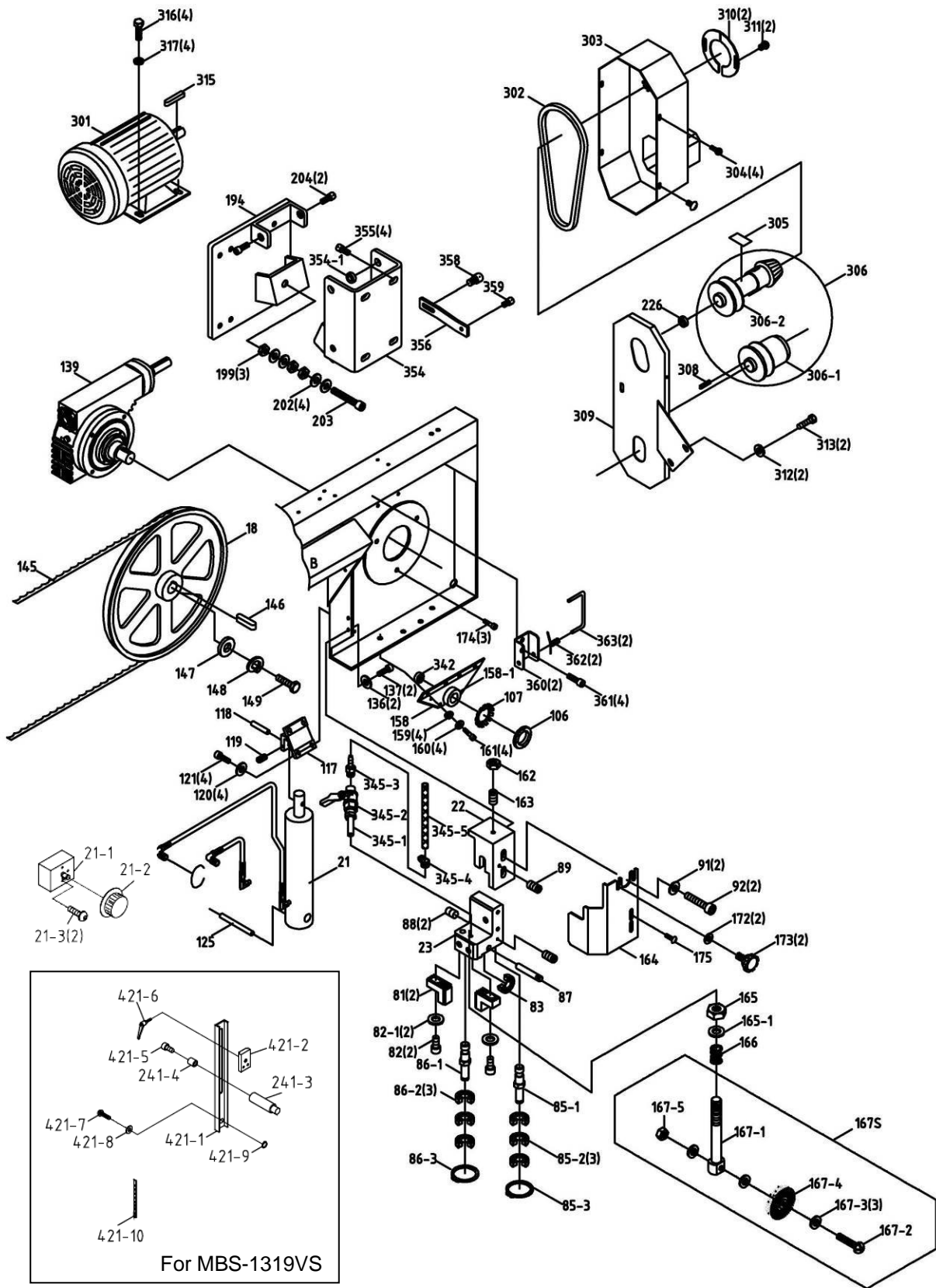
HBS-1319V / MBS-1319VS Breakdown for Stand and Base Assembly



HBS-1319V / MBS-1319VS Breakdown for Bow Assembly



HBS-1319V / MBS-1319VS Breakdown for Bow Assembly



HBS-1319V / MBS-1319 VS Part list

Index No.	Part No.	Description	Size	Q'ty
1	HBS1319V-1	Fluid Collected Plate		1
1-1	HBS1319V-1-1	Stand		1
2	HBS1319V-2	Base		1
2-1	HBS1319V-2-1	Hex. Head Screw	M8x1.25x40L	8
2-2	HBS1319V-2-2	Washer	5/16"x23x2mm	16
2-3	HBS1319V-2-3	Hex. Nut	M8	8
2-4	HBS1319V-2-4	Hex. Socket Head Screw	M10x25L	1
2-5	HBS1319V-2-5	Washer	M10x27x2	2
2-6	HBS1319V-2-6	Hex. Nut	M10	1
2-7	HBS1319V-2-7	Knob		1
2-8	HBS1319V-2-8	Washer	M10x27x2	1
2-9	HBS1319V-2-9	Carriage Screw	3/8"	1
2-10	HBS1319V-2-10	Cross Round Head Screw	M6x10L	12
3	HBS1319V-3	Hex. Head Screw	M12x50L	4
4	HBS1319V-4	Hex. Nut	M12	4
6	HBS1319V-6	Rear Pivot Bracket		1
6-1	HBS1319V-6-1	Bushing		1
9	HBS1319V-9	Vise Jaw Bracket(Front)		1
13	HBS1319V-13	Vise Jaw Bracket(Rear)		1
14	HBS1319V-14	Body Frame		1
16	HBS1319V-16	Blade Back Cover		1
17	HBS1319V-17	Idler Wheel Assembly		1
18	HBS1319V-18	Drive Wheel		1
21	HBS1319V-21	Cylinder Assembly for HBS-1319V		1
	MBS1319VS-21	Cylinder Assembly for HBS-1319VS		1
21-1	HBS1319V-21-1	Valve Assembly		1
21-2	HBS1319V-21-2	Valve Knob		1
21-3	TS-2245102	Round Head Screw	M5x10L	1
22	HBS1319V-22	Arm (Right)		1
23	HBS1319V-23	Blade Adjustable (Rear)		1
24	HBS1319V-24	Arm (Left)		1
25	HBS1319V-25	Bearing Bracket (Left)		1
26	HBS1319V-26	Blade Angle Adjusting Bracket		1
27	HBS1319V-27	Blade Tension Sliding Plate		1
28	HBS1319V-28	Anchor Block		1
29	HBS1319V-29	Column		1
30	HBS1319V-30	Scale		1
31	HBS1319V-31	Rivet	ø2x5L	2
32	HBS1319V-32	Hex. Socket Headless Screw	M8x20L	4
33	HBS1319V-33	Hex. Socket Head Screw	M12x20L	2
34	HBS1319V-34	Blade Select Chart		1
37	HBS1319V-37	Hex. Socket Head Screw	M8x20L	4
38	HBS1319V-38	Knob		2
39	HBS1319V-39	Washer	M8	4
40	HBS1319V-40	Hex. Nut	M8	4
43	HBS1319V-43	Pin	ø5x45L	2
49	HBS1319V-49	Gib		2
50	HBS1319V-50	Spring Washer	M8	6
51	HBS1319V-51	Hex. Socket Head Screw	M8x45L	6
53	HBS1319V-53	Washer	M10	1
54	HBS1319V-54	Spring		1
55	HBS1319V-55	Bearing	51203	1
56	HBS1319V-56	Blade Tension Handle		1
57	HBS1319V-57	Bracket		1

Index No.	Part No.	Description	Size	Q'ty
58	HBS1319V-58	Cross Round Head Screw	M5x10L	2
59	HBS1319V-59	Switch Base		1
60	HBS1319V-60	Hex. Head Screw	M8x40L	2
61	HBS1319V-61	Washer	8x18x2.0 (M8)	2
62	HBS1319V-62	Hex. Nut	M8	2
63	HBS1319V-63	Cross Round Head Screw	M4x20L	2
64	HBS1319V-64	Leadscrew		1
65	HBS1319V-65	Cross Round Head Screw	M5x10L	2
66	HBS1319V-66	Tension Indicating Plate		1
67	HBS1319V-67	Hex. Socket Head Screw	M10x40L	1
68	HBS1319V-68	Hex. Socket Head Screw	M6x15L	4
69	HBS1319V-69	Spring Washer	M6	4
70	HBS1319V-70	Hemicycle Washer		1
71	HBS1319V-71	Washer		1
72	HBS1319V-72	Shaft Bushing		2
73	HBS1319V-73	Hex. Socket Head Screw	M6x25L	2
74	HBS1319V-74	Shaft		1
75	HBS1319V-75	Bushing		1
76	HBS1319V-76	Hose Clamp	ø12	4
77	HBS1319V-77	Cross Round Head Screw	M5x10L	4
78	HBS1319V-78	Gib		1
79	HBS1319V-79	Blade Adjustable Knob		1
80	HBS1319V-80	Washer	M10	1
81	HBS1319V-81	Carbide Guide		4
82	HBS1319V-82	Hex. Socket Head Screw	M6x20L	4
82-1	HBS1319V-82-1	Washer	6.5x13x0.8 (M6)	4
83	HBS1319V-83	Bearing	609ZZ	2
84	HBS1319V-84	Disc Spring		14
85	HBS1319V-85	Bearing Shaft Assembly		2
85-1	HBS1319V-85-1	Bearing Shaft		2
85-2	HBS1319V-85-2	Bearing	609ZZ	6
85-3	HBS1319V-85-3	C-Retainer Ring	S10	2
86	HBS1319V-86	Eccentric Shaft Assembly		2
86-1	HBS1319V-86-1	Eccentric Shaft		2
86-2	HBS1319V-86-2	Bearing	609ZZ	6
86-3	HBS1319V-86-3	C-Retainer Ring	S10	2
87	HBS1319V-87	Bearing Pin		2
88	HBS1319V-88	Hex. Socket Headless Screw	M5x10L	4
89	HBS1319V-89	Hex. Socket Headless Screw	M6x10L	2
91	HBS1319V-91	Washer	M8	4
92	HBS1319V-92	Hex. Socket Head Screw	M8x25L	4
93	HBS1319V-93	Blade Guard (Front)		1
94	HBS1319V-94	Label		1
95	HBS1319V-95	Hex. Headless Screw	M8x1.25x30L	1
96	HBS1319V-96	Hex. Head Screw	M12x1.5Px35L	1
97	HBS1319V-97	Spring Washer	ø10.2x3	2
98	HBS1319V-98	Washer	ø10.5xø21x2	2
99	HBS1319V-99	Bushing		1
100	HBS1319V-100	Hex. Headless Screw	M6x1.0x10L	1
101	HBS1319V-101	Knob		1
102	HBS1319V-102	Washer	ø10.5xø27x3	2
103	HBS1319V-103	Hex. Socket Head Screw	M10x25L	4
104	HBS1319V-104	Spring Washer	M10	4
105	HBS1319V-105	Washer	M10	4
106	HBS1319V-106	Nut		2
107	HBS1319V-107	Washer		2

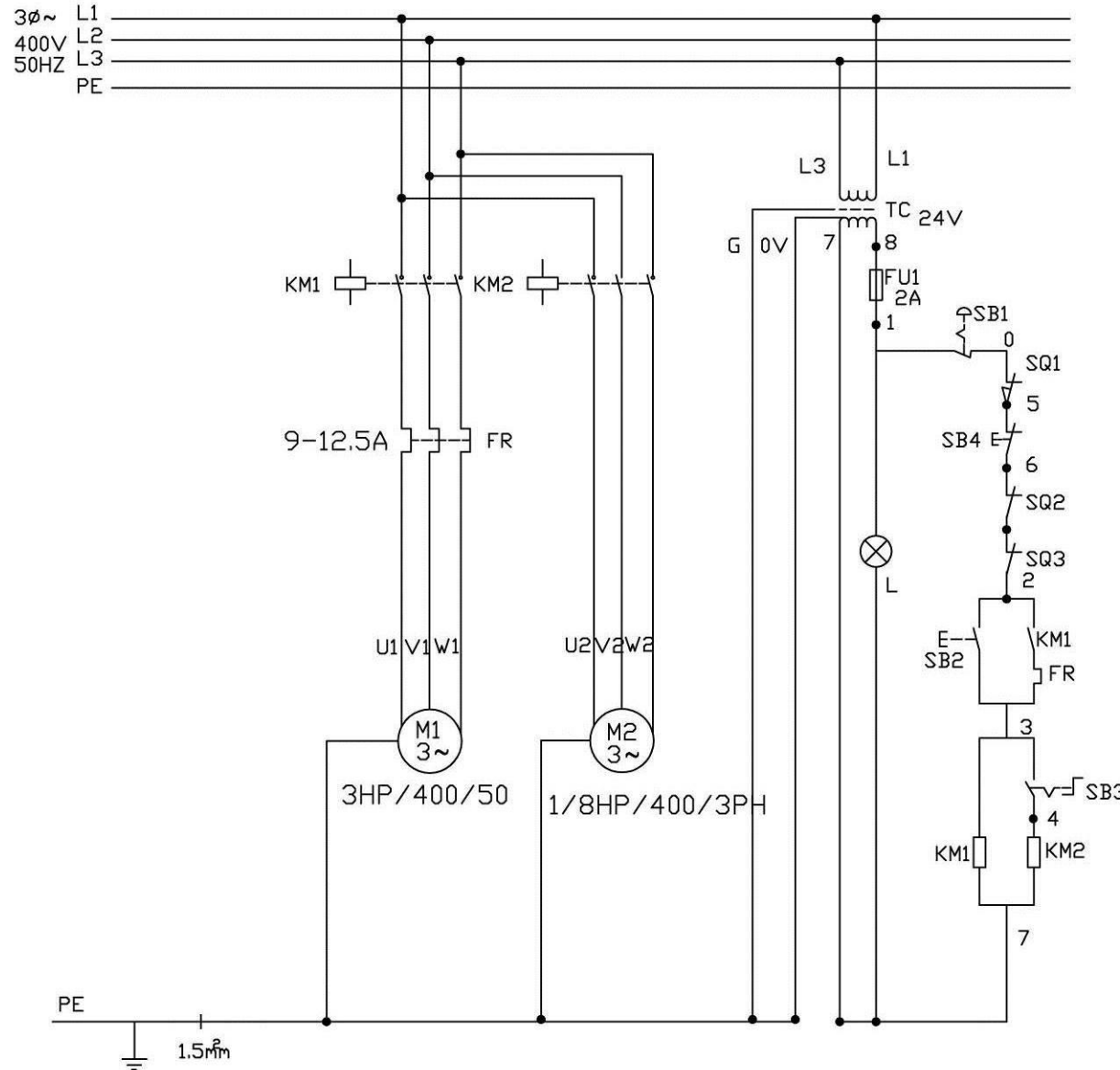
Index No.	Part No.	Description	Size	Q'ty
109	HBS1319V-109	Hex. Socket Head Screw	M10x55L	1
111	HBS1319V-111	Bracket		1
112	HBS1319V-112	Rack Hook		1
113	HBS1319V-113	Pin		1
114	HBS1319V-114	Hex. Socket Headless Screw	M6x10L	1
115S	HBS1319V-115S	Handwheel assembly		1
117	HBS1319V-117	Cylinder Upper Support		1
118	HBS1319V-118	Pivot Pin		1
119	HBS1319V-119	Hex. Socket Headless Screw	M6x10L	1
120	HBS1319V-120	Washer	M8	4
121	HBS1319V-121	Hex. Socket Head Screw	M8x20L	4
122	HBS1319V-122	Hex. Head Screw	M8x40L	1
123	HBS1319V-123	Washer	8.5x18x1.6 (M8)	1
124	HBS1319V-124	Hex. Nut	M8	1
125	HBS1319V-125	Pivot Pin		1
128	HBS1319V-128	Cross Round Head Screw	M5x10L	6
129	HBS1319V-129	Control Box Ass		1
130	HBS1319V-130	Control Plate for HBS-1319V		1
	MBS1319VS-130	Control Plate for HBS-1319VS		1
133	HBS1319V-133	Washer	M6	2
134	HBS1319V-134	Hex. Head Screw	M6x10L	2
135	HBS1319V-135	Nut		2
136	HBS1319V-136	Washer	M8	2
137	HBS1319V-137	Hex. Socket Head Screw	M8x20L	2
138	HBS1319V-138	Washer		2
139	HBS1319V-139	Gear Box Assembly		1
140	HBS1319V-140	Hex. Nut	3/8"	2
141	HBS1319V-141	Handle		2
142	HBS1319V-142	Cross Round Head Screw	M5x10L	2
143	HBS1319V-143	Bracket		1
144	HBS1319V-144	Knob		2
145	HBS1319V-145	Blade	27x0.9x3810 4/6T	1
146	HBS1319V-146	Key	7x7x30L	1
147	HBS1319V-147	Washer	M10	1
148	HBS1319V-148	Spring Washer	M10	1
149	HBS1319V-149	Hex. Head Screw	M10x25L	1
150	HBS1319V-150	Hex. Nut	M8x1.25	2
151	HBS1319V-151	Screw	M8x1.25	1
152	HBS1319V-152	Washer	8.5x18x1.6 (M8)	1
158	HBS1319V-158	Bracket		1
158-1	HBS1319V-158-1	Bushing		1
159	HBS1319V-159	Spring Washer	M10	4
160	HBS1319V-160	Washer	M10	4
161	HBS1319V-161	Hex. Socket Head Screw	M10x20L	4
162	HBS1319V-162	Hex. Nut	M8	1
163	HBS1319V-163	Hex. Socket Headless Screw	M8x25L	1
164	HBS1319V-164	Blade Guard (Rear)		1
165	HBS1319V-165	Hex. Nut	M10	1
165-1	HBS1319V-165-1	Washer	M10x20x2	1
166	HBS1319V-166	Spring		1
167S	HBS1319V-167S	Brush Assemble		1
167-1	HBS1319V-167-1	Brush Shaft		1
167-2	HBS1319V-167-2	Cross Round Head Screw	M6x1.0x40L	1
167-3	HBS1319V-167-3	Washer	6.5x13x0.8 (M6)	3
167-4	HBS1319V-167-4	Brush		1
167-5	HBS1319V-167-5	Hex. Nut	M6	1

Index No.	Part No.	Description	Size	Q'ty
172	HBS1319V-172	Washer	M6	4
173	HBS1319V-173	Plum Screw	M6x10L	4
174	HBS1319V-174	Hex. Socket Head Screw	M10x20L	3
175	HBS1319V-175	Cross Round Head Screw	M5x8L	1
186	HBS1319V-186	Distance Set Rod		1
194	HBS1319V-194	Motor Plate		1
199	HBS1319V-199	Hex. Nut	M10	3
200	HBS1319V-200	Plum Screw		1
202	HBS1319V-202	Washer	ø10x27x3	4
203	HBS1319V-203	Hex. Socket Head Screw	M10x65L	1
204	HBS1319V-204	Hex. Socket Head Screw	M12x50L	2
205	HBS1319V-205	Rack Support		2
206	HBS1319V-206	Axle Base		1
207	HBS1319V-207	Hex. Head Screw	M10x30L	2
208	HBS1319V-208	Washer	M10	2
209	HBS1319V-209	Spring Washer	M8	4
210	HBS1319V-210	Hex. Socket Head Screw	M8x20L	4
211	HBS1319V-211	Rack		1
212	HBS1319V-212	Key	5x5x15L	1
213	HBS1319V-213	Acme Screw		1
214	HBS1319V-214	Spring Bracket		1
215	HBS1319V-215	Washer	M12	1
216	HBS1319V-216	Hex. Nut	M12	1
219	HBS1319V-219	Eye Bolt		1
220	HBS1319V-220	Spring	ø10	1
226	HBS1319V-226	Washer Ring		1
230	HBS1319V-230	Pivot Shaft		1
231	HBS1319V-231	Axle Bushing	35x39x40B	2
233	HBS1319V-233	Gap Ring		2
234	HBS1319V-234	Meter		1
235	HBS1319V-235	Cross Tablet Head Screw	M5x0.8x8L	2
246	HBS1319V-246	Hex. Head Screw	M8x20L	2
250	HBS1319V-250	Coolant Tank		1
251	HBS1319V-251	Coolant Bracket		1
252	HBS1319V-252	Screw	M5x15L	4
256-1	HBS1319V-256-1	Bracket		1
256-3	HBS1319V-256-3	Hex. Head Screw	M10x60L	1
256-4	HBS1319V-256-4	Washer	M10	4
256-5	HBS1319V-256-5	Hex. Nut	M10	2
256-6	HBS1319V-256-6	Hex. Head Screw	M8x20L	2
256-8	HBS1319V-256-8	Washer	M8	2
259	HBS1319V-259	Hex. Head Screw	M6x10L	1
260	HBS1319V-260	Hex. Nut	M6	1
261	HBS1319V-261	Filter		1
269	HBS1319V-269	Cooling Pump	1/8 HP,400V,3PH	1
270	HBS1319V-270	Hex. Head Screw	M6x15L	4
271	HBS1319V-271	Spring Washer	M6	4
272	HBS1319V-272	Rubber Cushion		1
294	HBS1319V-294	Splash Board		1
296	HBS1319V-296	Cross Round Head Screw	M6x12L	2
301	HBS1319V-301	Motor	3HP,400V,50HZ,3PH	1
302	HBS1319V-302	Belt	(1422) 360V	1
303	HBS1319V-303	Motor Pulley Cover		1
304	HBS1319V-304	Cross Round Head Screw	M5x10L	4
305	HBS1319V-305	Speed Label	E=1/30	1

Index No.	Part No.	Description	Size	Q'ty
306	HBS1319V-306	Spindle Pulley		1
306-1	HBS1319V-306-1	Spindle Pulley	2HP ø24	1
306-2	HBS1319V-306-2	Variable Speed Pulley	2HP ø24	1
307	HBS1319V-307	Hex. Headless Screw	M6x1.0x10L	1
308	HBS1319V-308	Key	7x7x30L	1
309	HBS1319V-309	Pulley Lower Cover		1
310	HBS1319V-310	Cover		2
311	HBS1319V-311	Cross Round Head Screw	M5x5L	2
312	HBS1319V-312	Washer	M6	2
313	HBS1319V-313	Hex. Head Screw	M6x10L	2
315	HBS1319V-315	Washer	M8	4
316	HBS1319V-316	Hex. Head Screw	M8x15L	4
317	HBS1319V-317	Key	7x7x35L	1
332	HBS1319V-332	Support Rod		1
333	HBS1319V-333	Distance Set Bracket		1
334	HBS1319V-334	Hex. Nut	M10x1.5	1
335	HBS1319V-335	Hex. Head Screw	M10x1.5x25L	1
336	HBS1319V-336	Hex. Head Screw	M10x40L	1
337	HBS1319V-337	Hex. Nut	M10	1
338	HBS1319V-338	Hex. Socket Head Screw	M5x15L	2
339	HBS1319V-339	Lower Adjusting Support		1
342	HBS1319V-342	Gap Ring		1
344	HBS1319V-344	Spray Assembly		1
344-1	HBS1319V-344-1	Straight Connector	PT3/8"xPT3/8"	1
344-2	HBS1319V-344-2	3 Way Connector	PT3/8"xPT3/8"xPT3/8"	1
344-3	HBS1319V-344-3	Straight Connector	PT3/8"x1/2"	1
344-4	HBS1319V-344-4	Micro Control Block	PT3/8"x1/2"	1
344-5	HBS1319V-344-5	Hose Clamp	IDø19	3
344-6	HBS1319V-344-6	Net Tube	ID1/2"x2.8Tx126cm	1
344-7	HBS1319V-344-7	Net Tube	ID1/2"x2.8Tx320cm	1
344-8	HBS1319V-344-8	Spray		1
345S	HBS1319V-345S	Valve Assembly	PT1/8"x1/8"	1
346	HBS1319V-346	3 Way Valve Assembly		1
346-1	HBS1319V-346-1	Hex. Socket Head Screw	M6x30L	2
346-2	HBS1319V-346-2	3 Way Valve		1
346-3	HBS1319V-346-3	Straight Connector	PT1/4"x1/4"	1
346-4	HBS1319V-346-4	Hose Clamp	IDø12	2
346-5	HBS1319V-346-5	Net Tube	ID1/4"x2.2Tx143cm	1
346-6	HBS1319V-346-6	Micro Control Block	PT1/4"x1/4"	1
346-7	HBS1319V-346-7	Hose Clamp	IDø19	1
346-8	HBS1319V-346-8	Net Tube	ID1/4"x2.2Tx64cm	1
346-9	HBS1319V-346-9	Net Tube	ID1/2"x2.8Tx320cm	1
346-10	HBS1319V-346-10	Micro Control Block	PT1/4"x1/2"	1
354	HBS1319V-354	Motor Bracket		1
354-1	HBS1319V-354-1	Bushing		1
355	HBS1319V-355	Hex. Socket Head Screw	M8x20L	4
360	HBS1319V-360	Bracket		2
361	HBS1319V-361	Hex. Socket Head Screw	M6x10L	4
362	HBS1319V-362	Twisted Spring		2
363	HBS1319V-363	Support Rod		2
368	HBS1319V-368	Spring Washer	1/4"x19x1.5	1
370	HBS1319V-370	Bracket		2
377	HBS1319V-377	Ring		4
378	HBS1319V-378	Flexible Plate		3
379	HBS1319V-379	Hex. Socket Head Screw	M6x20L	6

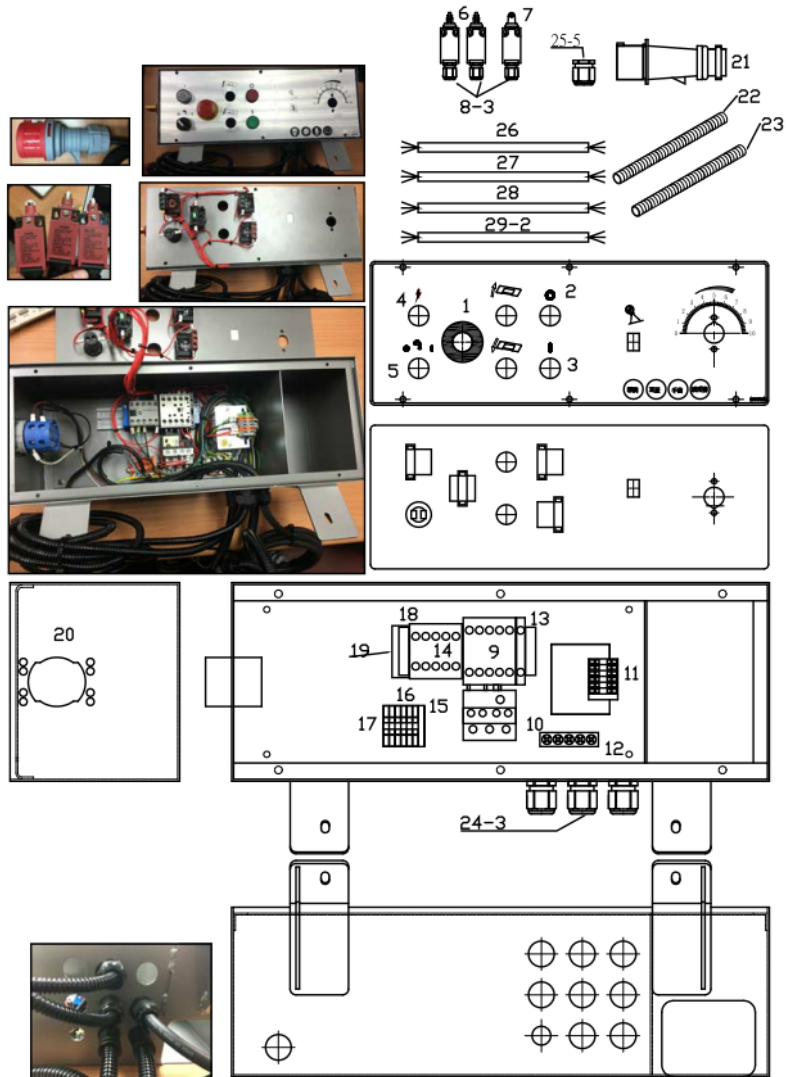
Index No.	Part No.	Description	Size	Q'ty
383	HBS1319V-383	Hex. Nut	M6	6
384	HBS1319V-384	Washer	M6	6
415	HBS1319V-415	C-Retainer Ring	R52	2
416	HBS1319V-416	Taper Roller Bearing	30205J	2
417	HBS1319V-417	Cover		3
418	HBS1319V-418	Star Washer		2
419	HBS1319V-419	Nut		1
420	HBS1319V-420	Grease Nipple	PT1/8"	1
421	MBS1319VS-421	Limit Switch Bracket Assembly		1
421-1	MBS1319VS-421-1	Limit Switch Adjusting Bracket		1
421-2	MBS1319VS-421-2	Limit Bracket		1
421-3	MBS1319VS-421-3	Shaft		1
421-4	MBS1319VS-421-4	Steady Shaft		1
421-5	MBS1319VS-421-5	Hex head cap screw	M6x25L	1
421-6	MBS1319VS-421-6	Knob	M8xP1.25*20L	1
421-7	MBS1319VS-421-7	Hex head screw	M6-1.0P*12L	1
421-8	MBS1319VS-421-8	Washer	M6	1
421-9	MBS1319VS-421-9	C-Retainer Ring	S15	1
421-10	MBS1319VS-421-10	Staff		1
853S	MBS1319VS-853S	Hydraulic Unit	3PH 1/4HP	1
853-1	MBS1319VS-853-1	Pressure pipe	1/4"W*1000mm	1
853-2	MBS1319VS-853-2	Pressure pipe	1/4"W*2000mm	1
853-3	MBS1319VS-853-3	Pressure pipe	1/4"W*3000mm	1
853-4	MBS1319VS-853-4	Pressure pipe	1/4"W*3800mm	1
853-5	MBS1319VS-853-5	Pressure pipe	1/4"W*1000mm	1

HBS-1319V...50000441T 3~400V, 50Hz Circuit Diagram



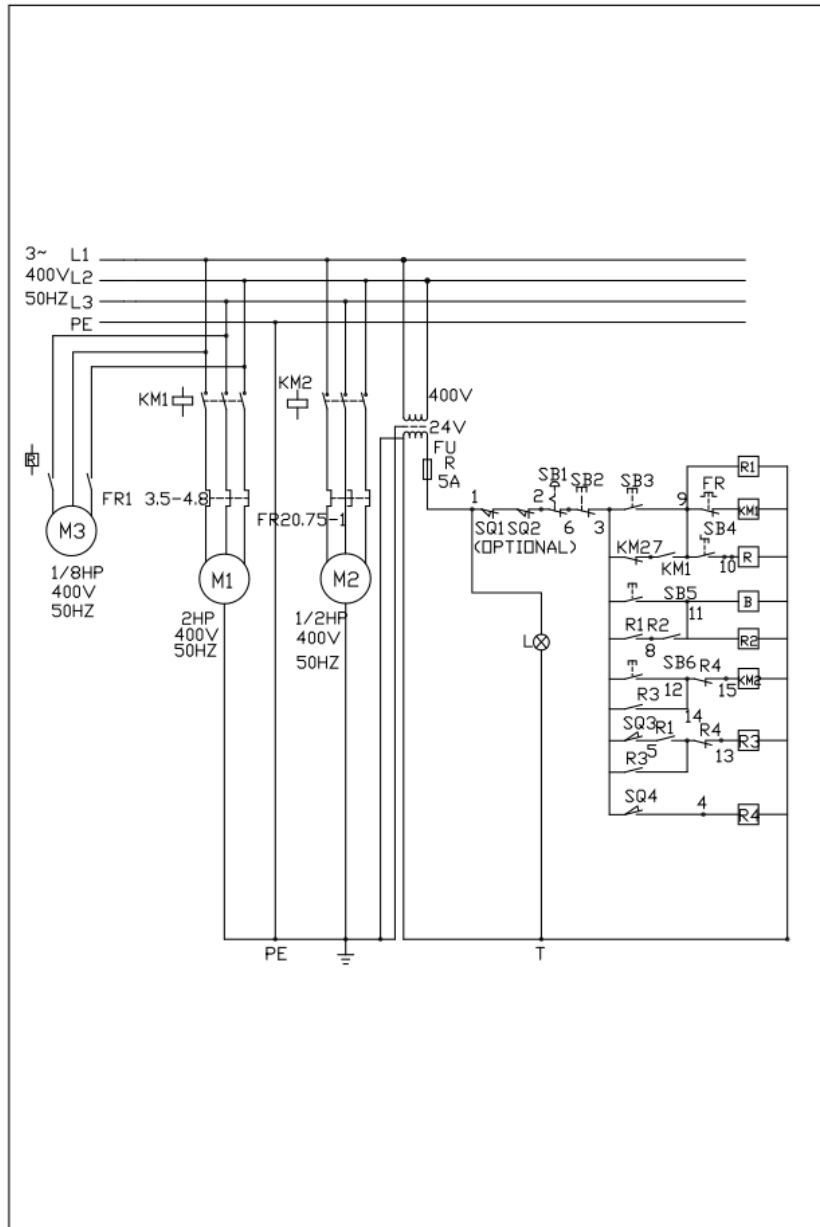
- FR: Overload
- M1: Motor
- FU1: fuse
- TC: Transformer
- SB1: Emergency Stop
- SB2: Start Switch
- SB3: Pump Switch
- SB4: OFF Switch
- KM1: Contactor
- KM2: Contactor
- L: Signal
- SQ1: Limit Switch MET1621
- SQ2: Limit Switch MET1621
- SQ3: Limit Switch MET1624
- M2: Colling Pump

HBS-1319V...50000441T 3~400V, 50Hz Control Box



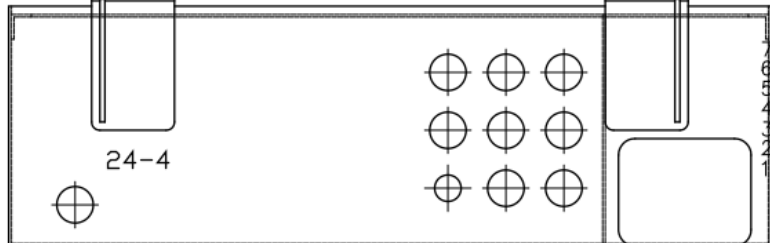
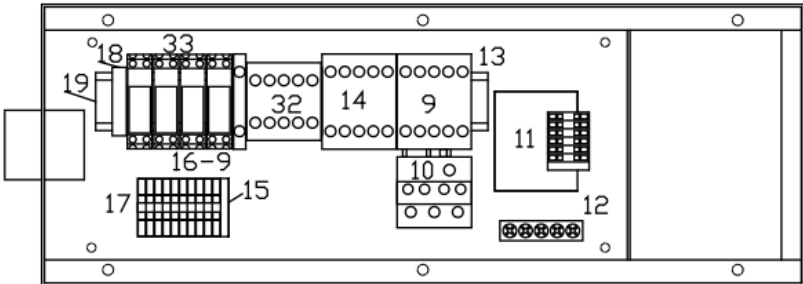
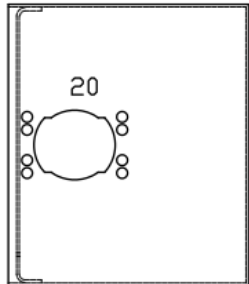
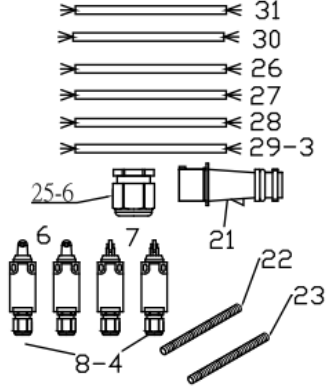
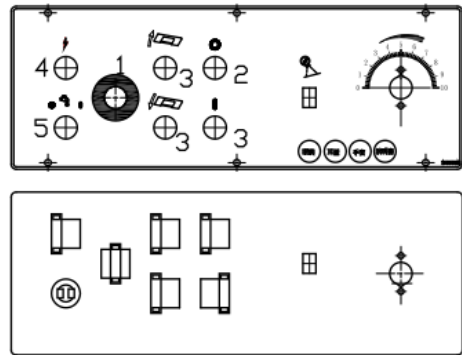
		SCHEDULE OF ELECTRICAL EQUIPMENT		
Item.	Designation and function	Technical data	QTY	
1	Emergency Switch	MET1245	1	
2	Start Switch	MET1217	1	
3	Off Switch	MET1216	1	
4	Signal	MET1415	1	
5	Slect Switch	MET1222	1	
6	Limit Switch	MET1621	2	
7	Limit Switch	MET1624	1	
8	Clamps	MET2110	3	
9	Contactor	MET1157	1	
10	Overload	MET2009	1	
11	Transformer	MET1315B	1	
12	Ground Copper	M181995	1	
13	Fuse Base&Fuse	MET1844	1	MET1820 1
14	Contactor	MET1148	1	
15	Side Panels	MET1516	1	
16	Terminal	MET1512	5	
17	Terminal	MET1539	1	
18	Fixed Piece	MET1517	1	
19	Aluminum Rails	MET2122	1	
20	Power Switch	MET1758	1	
21	Plug	MET2901	1	
22	Nylon Snake Tube	MET2126	3	
23	Nylon Snake Tube	MET2149	4.5	
24	Clamps	MET2111	3	
25	Wave Tube Joints	MET2150	5	
26	Power Cable	ME230432F	1	
27	Motor Cable	ME175432	1	
28	PUMP Cable	ME385412	1	
29	Limit Switch Cable	ME255212	2	

MBS-1319VS...50000442T 3~400V, 50Hz Circuit Diagram



		SCHEDULE OF ELECTRICAL EQUIPMENT			Sheet:	
Item.	Designation and function	Technical data	QTY	Supplier	Supplier reference	REMARK
SQ1	LIMIT SWITCH		1			
SQ2	LIMIT SWITCH		1			
SQ3	LIMIT SWITCH		1			
SQ4	LIMIT SWITCH		1			
SB1	EMERGENCY SWITCH		1			
SB2	OFF SWITCH		1			
SB3	START SWITCH		1			
SB4	PUMP SWITCH		1			
SB5	DOWN SWITCH		1			
SB6	UP SWITCH		1			
KM1	MEGNETIC SWITCH		1			
KM2	MEGNETIC SWITCH		1			
R	PUMP RELAY		1			
R1	CONTROL RELAY		1			
R2	CONTROL RELAY		1			
R3	CONTROL RELAY		1			
R4	CONTROL RELAY		1			
B	AC ELECTRIC VALVE		1			
L	LIGHT		1			
TR	TRANSFORMER	400/24V	1			
M1	MOTOR		1			
M2	OIR MOTOR		1			
M3	COOL PUMP		1			
FU	FUSE	5A	1			
FR1	OVER LOAD		1			
FR2	OVER LOAD		1			

MBS-1319VS...50000442T 3~400V, 50Hz Control Box



		SCHEDULE OF ELECTRICAL EQUIPMENT			
Item.	Designation and function	Technical data	QTY		
1	Emergency Switch	MET1245	1		
2	Start Switch	MET1217	1		
3	Off Switch	MET1216	3		
4	Signal	MET1415	1		
5	Slect Switch	MET1222	1		
6	Limit Switch	MET1621	2		
7	Limit Switch	MET1624	2		
8	Clamps	MET2110	4		
9	Contactor	MET1157	1		
10	Overload	MET2009	1		
11	Transformer	MET1327	1		
12	Ground Copper	M181995	1		
13	Fuse Base & Fuse	MET1844	1	MET1849	1
14	Contactor	MET1517	1		
15	Side Panels	MET1516	1		
16	Terminal	MET1512	9		
17	Terminal	MET1539	1		
18	Fixed Piece	MET1517	1		
19	Aluminum Rails	MET2122	1		
20	Power Switch	MET1758	1		
21	Plug	MET2901	1		
22	Nylon Snake Tube	MET2126-1	6.5		
23	Nylon Snake Tube	MET2149	8		
24	Clamps	MET2111	4		
25	Wave Tube Joints	MET2150	6		
26	Power Cable	ME230432H	1		
27	Motor Cable	ME175432	1		
28	PUMP Cable	ME385412	1		
29	Limit switch Cable	ME255212	3		
30	Oil Pump Cable	ME360412	1		
31	Limit switch Cable	ME390212A	1		
32	Contactor	MET1148	1		
33	Relay	MET1127	4		