

# **JET**

**JTS-1600-M**  
**JTS-1600-T**

**Table Saw**

**10000076M ~ 230V 50Hz**

**10000076T ~ 400V 50Hz**

## **PARTS LIST**

**JPW (TOOL) AG**

Tämperlistrasse 5

CH-8117 Fällanden

Switzerland

Phone +41 44 806 47 48

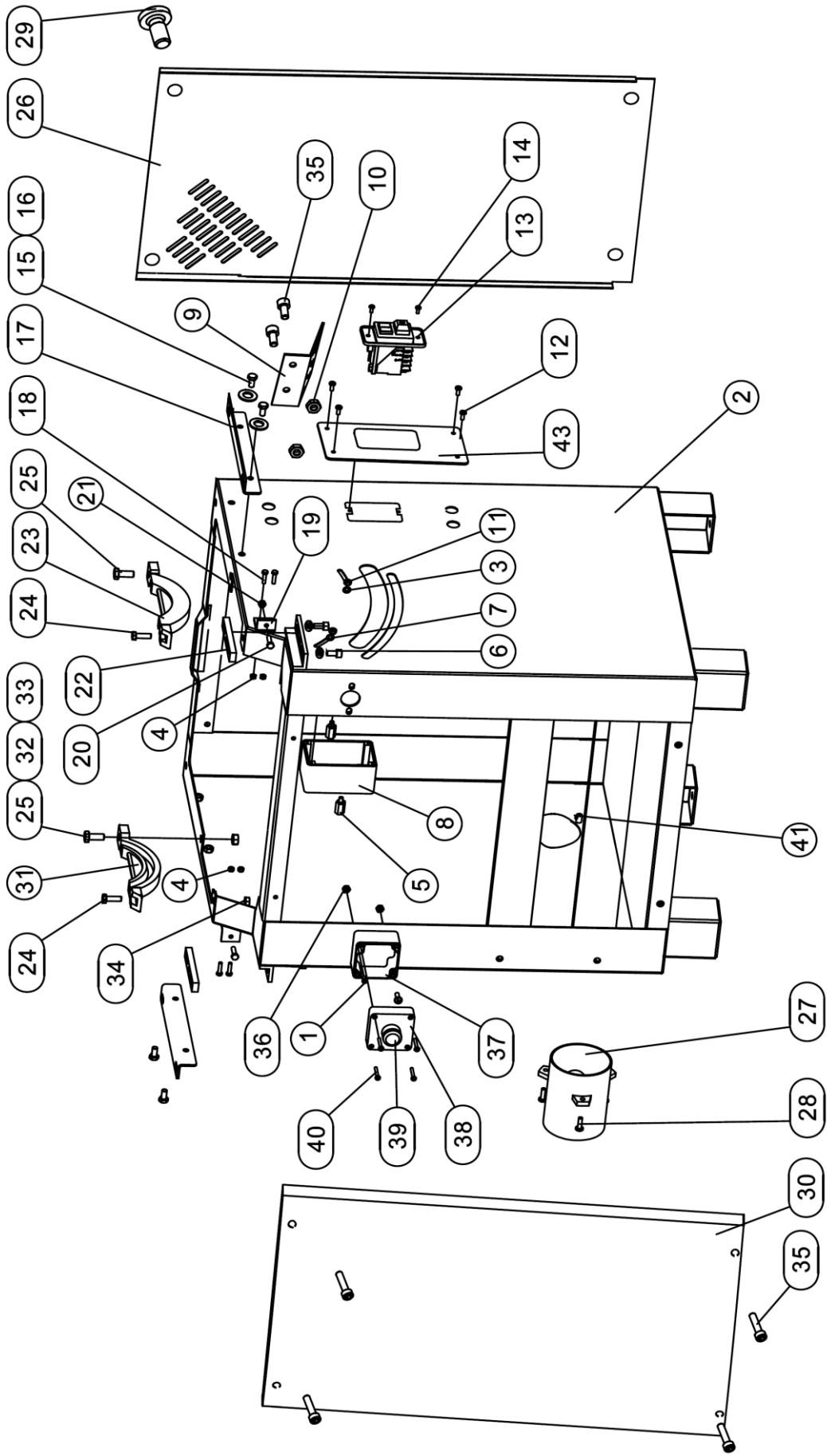
Fax +41 44 806 47 58

[www.jettools.com](http://www.jettools.com)

P-10000076M/T

2017-11

Parts Breakdown For JTS-1600-M/T Table Saw Stand Assembly



## Parts List for JTS-1600-M/T Table Saw ----- Stand Assembly

Index No.	Part No.	Description	Size	Qty.
1	JTS1600-001	Pan Head Screw	M4x12	2
2	JTS1600-002	Stand		1
3	JTS1600-003	Flat Washer	8	5
4	JTS1600-004	Washer	5mm	2
5	JTS1600-005	Limit Block		2
6	JTS1600-006	Soket Head Cap Screw	M8x16	4
7	JTS1600-007	Flat Washer	6mm	12
8	JTS1600-008	Switch Box		1
9	JTS1600-009	Tool Rack		1
10	JTS1600-010	Locking Nut	M6	8
11	JTS1600-011	Locking Nut	M8	2
12	JTS1600-012	Main Switch		1
13	JTS1600-013	Switch	KJD11/400V	1
14	JTS1600-014	Pan Head Screw	M5x20	2
15	JTS1600-015	Hexagon Bolt	M8x16	4
16	JTS1600-016	Flat Washer	8	14
17	JTS1600-017	Supporting Plate		1
18	JTS1600-018	Pan Head Screw	M5x16	4
19	JTS1600-019	Locking Plate		2
20	JTS1600-020	Hexagon Bolt	M6x25	2
21	JTS1600-021	Nut	M6	7
22	JTS1600-022	Adjusting Plate		2
23	JTS1600-023	Sliding Seat(Right)		1
24	JTS1600-024	Hexagon Bolt	M8x25	2
25	JTS1600-025	Hexagon Bolt	M10x35	2
26	JTS1600-026	Right Cover		1
27	JTS1600-027	Dust Collection Port		1
28	JTS1600-028	Pan Head Screw	M6X20	3
29	JTS1600-029	Pan Head Screw	M6x16	4
30	JTS1600-030	Left Cover		1
31	JTS1600-031	Sliding Seat(Left)		1
32	JTS1600-032	Flat Washer	10	4
33	JTS1600-033	Nut	M10	3
34	JTS1600-034	Hex Nut	M8	2
35	JTS1600-035	Soket Head Cap Screw	M6x12	8
36	JTS1600-036	Hex Nut	M4	2
37	JTS1600-037	Bottom Cover for Emergency Switch		1
38	JTS1600-038	Top Cover For Emergency Switch		1
39	JTS1600-039	Emergency Switch	HY57B	1
40	JTS1600-040	Pan Head Screw	M4X30	4
41	JTS1600-041	Rivet Nut	M6	3
42	JTS1600-042	E-Stop Box Assembly(#37,38,39,40)		1
43	JTS1600-043	KJD11 Switch Plate		1



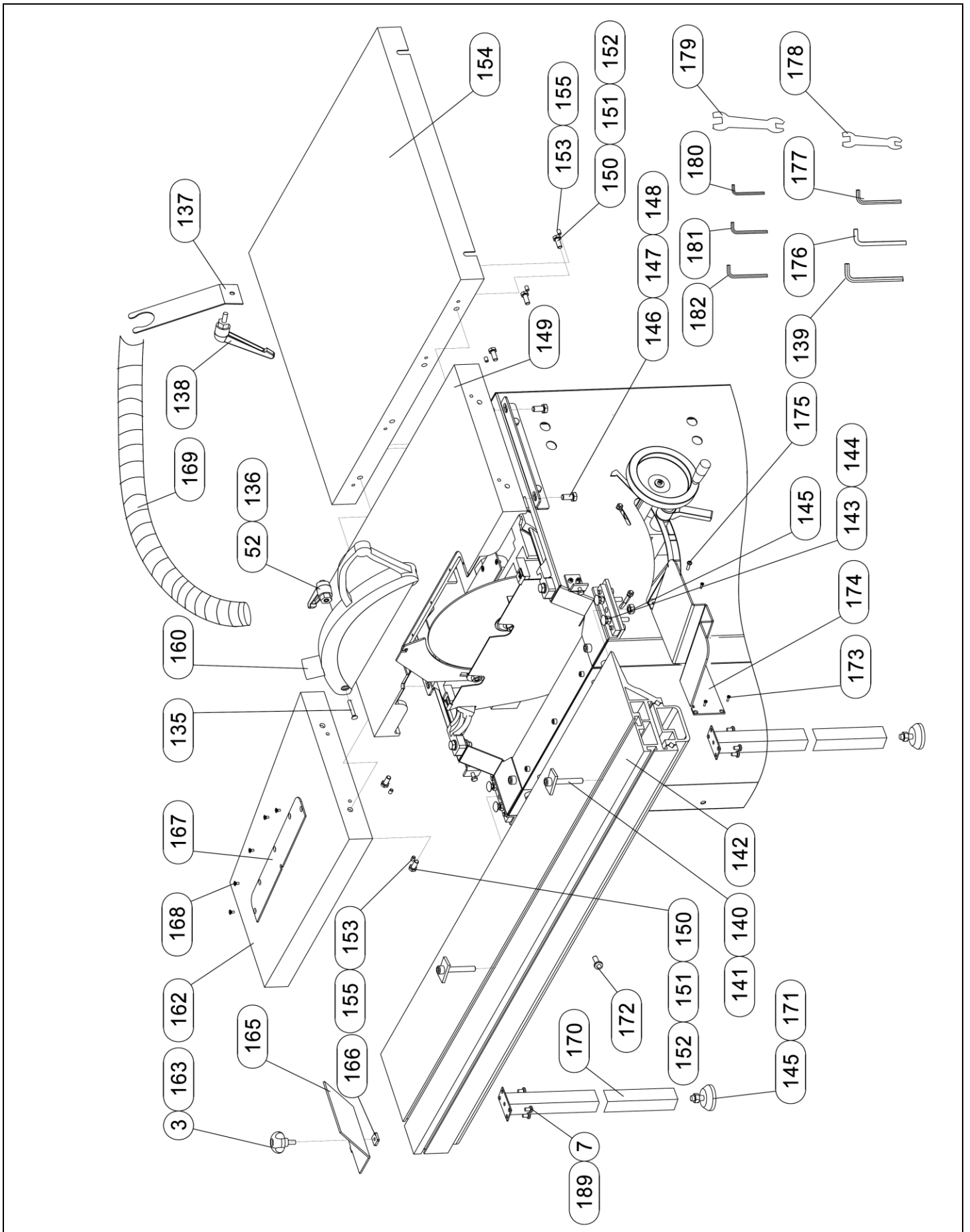
## Parts List for JTS-1600-M/T Table Saw ---- Saw Blade Assembly

Index No.	Part No.	Description	Size	Qty.
50	JTS1600-050	Key	A4X12	2
51	JTS1600-051	Soket Head Cap Screw	M5x12	5
52	JTS1600-052	Flat Washer	6	2
53	JTS1600-053	Handle Wheel		1
54	JTS1600-054	Soket Head Cap Screw	M6x16	1
55	JTS1600-055	locking handle		1
56	JTS1600-056	Spring		1
57	JTS1600-057	Screw		1
58	JTS1600-058	Lead Screw		1
59	JTS1600-059	Locking Screw		1
60	JTS1600-060	Flat Washer	10	1
61	JTS1600-061	Spider		1
62	JTS1600-062	Flat Washer	5	5
63	JTS1600-063	Indicator		1
64	JTS1600-064	Nut		1
65	JTS1600-065	Set Screw	M6x25	1
66	JTS1600-066	Bush		2
67	JTS1600-067	Pin	6X30	2
68	JTS1600-068	Limit Screw		1
69	JTS1600-069	Set Screw	M6x6	2
70	JTS1600-070	Soket Pan Head Screw	M6x25	1
71	JTS1600-071	Nut For Lead Screw		1
72	JTS1600-072	Guide Sleeve		1
73	JTS1600-073	Support Sleeve		1
74	JTS1600-074	Curved Plate		1
75	JTS1600-075	Locking Nut	M6	6
76	JTS1600-076	Washer	Ø6.5XØ23X2	1
77	JTS1600-077	Soket Head Cap Screw	M6x35	3
78	JTS1600-078	Spindle		1
79	JTS1600-079	Saw Body		1
80	JTS1600-080	Soket Flange Head Screw	M6x8	1
81	JTS1600-081	Soket Pan Head Screw	M6x25	1
82	JTS1600-082	Locking Nut	M10	1
83	JTS1600-083	Motor Assembly(The Cable Directly)	400V 3PH	1
	JTS1600-083MF	Motor Fan (not shown)		1
	JTS1600-083MC	Motor Cover (not shown)		1
84	JTS1600-084	Hex Bolt	M6x16	6
85	JTS1600-085	Flat Washer	6	2
86	JTS1600-086	Motor Base		1
87	JTS1600-087	Tooth Washer	6	4
88	JTS1600-088	Driving Pulley		1
89	JTS1600-089	Soket Head Cap Screw	M6x20 Left	1
90	JTS1600-090	Belt	8PJ160	1
91	JTS1600-091	Soket Head Cap Screw	M12x27	1
92	JTS1600-092	Washer	Ø35XØ6.5X4	1
93	JTS1600-093	Ball Bearing	6204	1
94	JTS1600-094	Spacer Sleeve		1
95	JTS1600-095	Set Screw	M5X6	1
96	JTS1600-096	Bush		1
97	JTS1600-097	Key	A5X20	1
98	JTS1600-098	Belt Pulley		1
99	JTS1600-099	Main Saw Base		1
100	JTS1600-100	bearing	6005	2
101	JTS1600-101	Hex. Nut	M12	1
102	JTS1600-102	Screw	M6x16	2
103	JTS1600-103	Connecting Rod		1

## Parts List for JTS-1600-M/T Table Saw ---- Saw Blade Assembly

Index No.	Part No.	Description	Size	Qty.
104	JTS1600-104	Mounting Plate		1
105	JTS1600-105	Pressing Plate		2
106	JTS1600-106	Circlip	55	1
107	JTS1600-107	Riving Knife		1
108	JTS1600-108	Saw Blade	Φ315xΦ30x3.2x2.2-48T	1
109	JTS1600-109	Nut	M12-Left	1
110	JTS1600-110	Flange		1
111	JTS1600-111	Saw Guard Cover		1
112	JTS1600-112	Hinge	38	2
113	JTS1600-113	Self-Plugging Rivets	4x8	8
114	JTS1600-114	Dust Cover		1
115	JTS1600-115	Axle		1
116	JTS1600-116	Bearing	619/8	2
117	JTS1600-117	Circlip	19	1
118	JTS1600-118	Bearing Seat		1
119	JTS1600-119	Hex Bolt	M6X20	4
120	JTS1600-120	Axle Sleeve		1
121	JTS1600-121	Nut	M6	2
122	JTS1600-122	Cardan		1
123	JTS1600-123	Pin	3X16	2
124	JTS1600-124	Incline Lead Screw		1
125	JTS1600-125	Main Saw Shaft		1
126	JTS1600-126	Incline Handle Wheel		1
127	JTS1600-127	Pressing Plate		1
128	JTS1600-128	Clamp	Φ90-110	1
129	JTS1600-129	Tube	Φ100x0.95mm	1
130	JTS1600-130	Clamp	Φ100-115	1
131	JTS1600-131	Pin	4X12	2
132	JTS1600-132	Pan Head Screw	M4X30	2
133	JTS1600-133	Microswitch	QKS7	1
134	JTS1600-134	Set Screw	M6x12	4

# Parts Breakdown for JTS-1600-M/T Table Saw -----Table Assembly

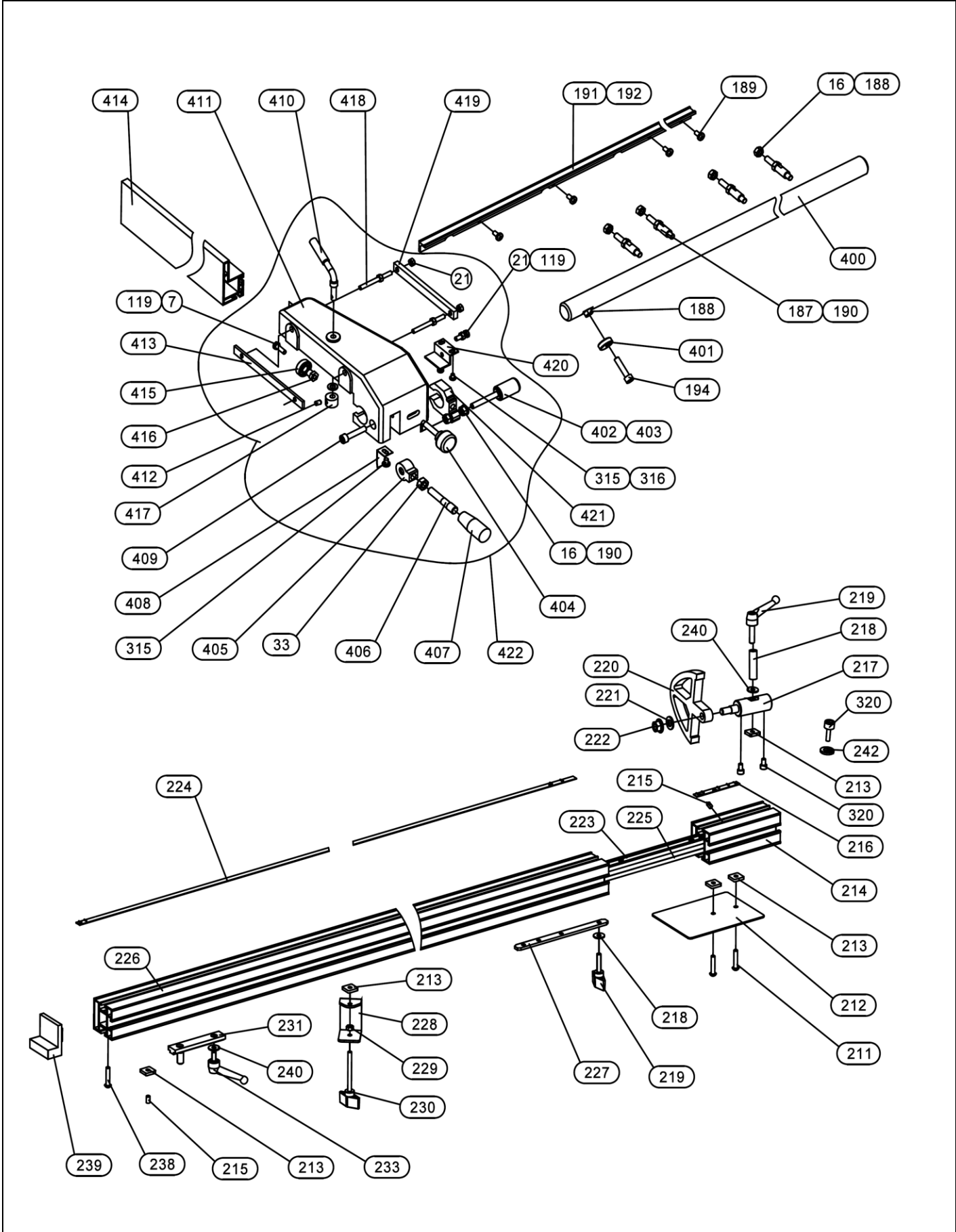


## Parts List for JTS-1600-M/T Table Saw ----- Table Assembly

Index No.	Part No.	Description	Size	Qty.
135	JTS1600-135	Locking Bolt		1
136	JTS1600-136	T Nut		1
137	JTS1600-137	Mounting Plate		1
138	JTS1600-138	Locking Handle		1
139	JTS1600-139	Wrench	6	1
140	JTS1600-140	Pressing Plate		2
141	JTS1600-141	Soket Head Cap Screw	M10X60	2
142	JTS1600-142	Sliding Table		1
143	JTS1600-143	Bolt	M8X45	4
144	JTS1600-144	Nut	M8	4
145	JTS1600-145	Nut	M10	4
146	JTS1600-146	Hex Bolt	M10x20	4
147	JTS1600-147	Spring Washer	10	4
148	JTS1600-148	Flat Washer	10	4
149	JTS1600-149	Table		1
150	JTS1600-150	Hex Bolt	M8X20	6
151	JTS1600-151	Spring Washer	8	10
152	JTS1600-152	Flat Washer		14
153	JTS1600-153	Screw	M6X20	6
154	JTS1600-154	Extension Table		1
155	JTS1600-155	Nut	M6	6
160	JTS1600-160	Safety Guard		1
162	JTS1600-162	Weld Part		1
163	JTS1600-163	Locking Handle		1
165	JTS1600-165	Plate		1
166	JTS1600-166	Sliding Block		1
167	JTS1600-167	Cover Plate		1
168	JTS1600-168	Pan Head Screw	M4X8	5
169	JTS1600-169	Bellows	Φ38	1
170	JTS1600-170	Support Rod		2
171	JTS1600-171	Support Feet		2
172	JTS1600-172	Soket Head Cap Screw	M6X8	1
173	JTS1600-173	Tapping Screw	M3X10	1
174	JTS1600-174	Protect Plate		1
175	JTS1600-175	Pan Head Screw	M5x8	1
176	JTS1600-176	Rod Wrench		1
177	JTS1600-177	Hex Wrench	5	1
178	JTS1600-178	Wrench	13X16	1
179	JTS1600-179	Wrench	17x19	1
180	JTS1600-180	Hex Wrench	2.5	1
181	JTS1600-181	Hex Wrench	3	1
182	JTS1600-182	Hex Wrench	4	1
183	JET-138R900	JET 3D Logo(not Shown)	138x57R900	1
184	JTS1600-184	ID Label(not Shown)		1
185	JTS1600-185	Motor Label(not Shown)		1
186	JTS1600-186	Warning Label(not Shown)		1



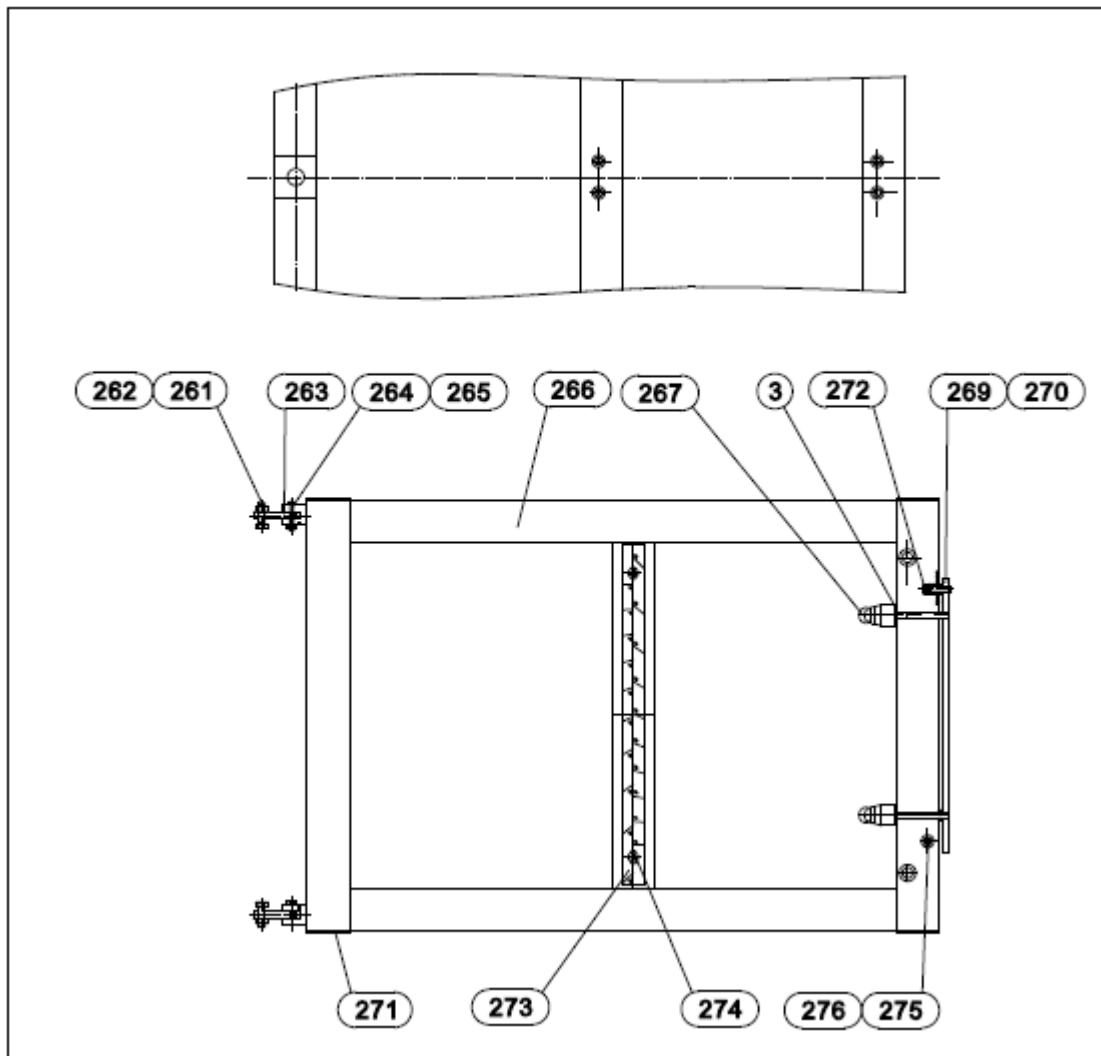
# Parts Breakdown for JTS-1600-M/T Table Saw -----Fence & Scale Assembly



## Parts List for JTS-1600-M/T Table Saw --- Fence & Scale Assembly

Index No.	Part No.	Description	Size	Qty.
187	JTS1600-187	Bolt		4
188	JTS1600-188	Nut	M8	5
189	JTS1600-189	Pan Head Screw	M6x12	12
190	JTS1600-190	Locking Nut	M8	8
191	JTS1600-191	Scaleplate Seat		1
192	JTS1600-192	Scaleplate		1
194	JTS1600-194	Soket Head Cap Screw	M8x35	1
400	JTS1600-400	Slider Bar		1
401	JTS1600-401	Eccentricity Ring		1
402	JTS1600-402	Fine Adjustment Handle		1
403	JTS1600-403	Wave Washer	8	1
404	JTS1600-404	Handle		1
405	JTS1600-405	Locking Seat		1
406	JTS1600-406	Screw		1
407	JTS1600-407	Handle Bar		1
408	JTS1600-408	Spring		1
409	JTS1600-409	Soket Head Cap Screw	M8x40	1
410	JTS1600-410	Locking Handle		1
411	JTS1600-411	Fine Adjustment Seat		1
412	JTS1600-412	Set Screw	M6x10	1
413	JTS1600-413	Locking Plate		1
414	JTS1600-414	Fence		1
415	JTS1600-415	Radial Ball Bearing	6000	1
416	JTS1600-416	Threaded Shaft		1
417	JTS1600-417	Eccentric Bushing		1
418	JTS1600-418	Lead Screw		2
419	JTS1600-419	Tensioning Plate		1
420	JTS1600-420	Plate		1
421	JTS1600-421	Fine Adjustment Block		1
422	JTS1600-422	Fence Base Assembly(#402 thru #421,#7,16,21,33)		1
211	JTS1600-211	Pan Head Screw	M6x12	2
212	JTS1600-212	Bottom Plate		1
213	JTS1600-213	Sliding Block		1
214	JTS1600-214	Fence Scale		1
215	JTS1600-215	Locking Screw	M6x10	2
216	JTS1600-216	Scale Plate		1
217	JTS1600-217	Locating Seat		1
218	JTS1600-218	Shaft		1
219	JTS1600-219	Locking Handle		2
220	JTS1600-220	Locking Plate		1
221	JTS1600-221	Flat Washer	10	1
222	JTS1600-222	Hex Nut	M10	1
223	JTS1600-223	Scale Plate A		1
224	JTS1600-224	Scale Plate B		1
225	JTS1600-225	Inner Scale		1
226	JTS1600-226	Long Scale		1
227	JTS1600-227	Locking Plate		1
228	JTS1600-228	Locking Plate		1
229	JTS1600-229	Hex Nut	M6	2
230	JTS1600-230	Locking Handle		1
231	JTS1600-231	Locking Plate		1
233	JTS1600-233	Handle Assembly		1
238	JTS1600-238	Tapping Screw	ST4.2x13	1
239	JTS1600-239	Front End Cap		1
240	JTS1600-240	Flat Washer	6	2
241	JTS1600-241	Thread		1
242	JTS1600-242	Spring Washer	6	1

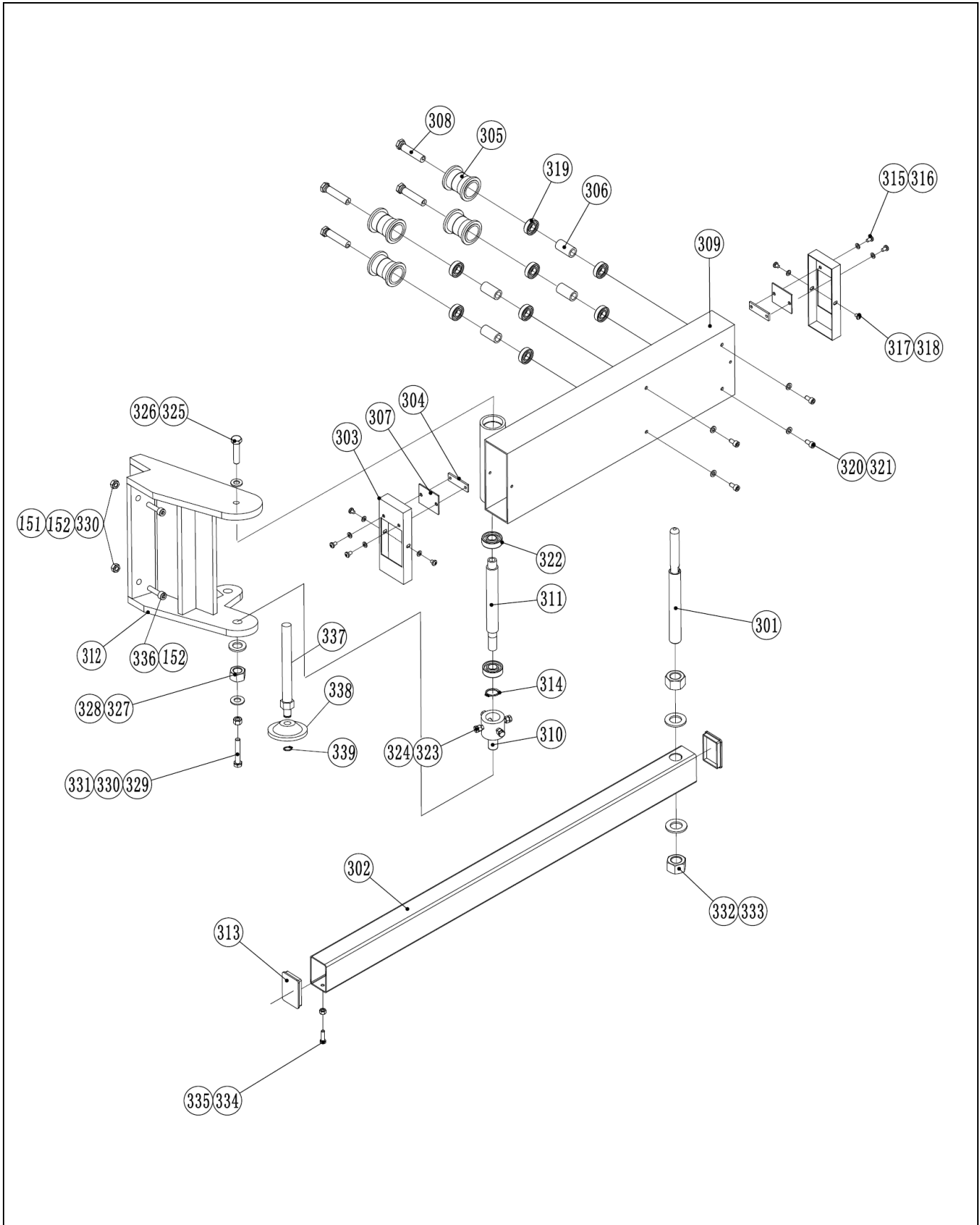
## Parts Breakdown for JTS-1600-M/T Table Saw----- Extension Table Assembly



## Parts List for JTS-1600-M/T Table Saw ----- Extension Table Assembly

Index No.	Part No.	Description	Size	Qty.
261	JTS1600-261	Hexagon Bolt	M6x20	3
262	JTS1600-262	Hex Nut	M6mm	2
263	JTS1600-263	Long Located Block		2
264	JTS1600-264	Soket Head Cap Screw	M4x25	2
265	JTS1600-265	Locking Nut	M4	2
266	JTS1600-266	Extension Table		1
267	JTS1600-267	Locking Handle		1
269	JTS1600-269	Pin		2
270	JTS1600-270	Connecting Plate		1
271	JTS1600-271	End Cap		4
272	JTS1600-272	Soket Head Cap Screw	M6x20	2
273	JTS1600-273	Angle Scale		1
274	JTS1600-274	Pan Head Screw	M5x6	2
275	JTS1600-275	Set Screw	M6x10	2
276	JTS1600-276	Hex Nut	M6	2

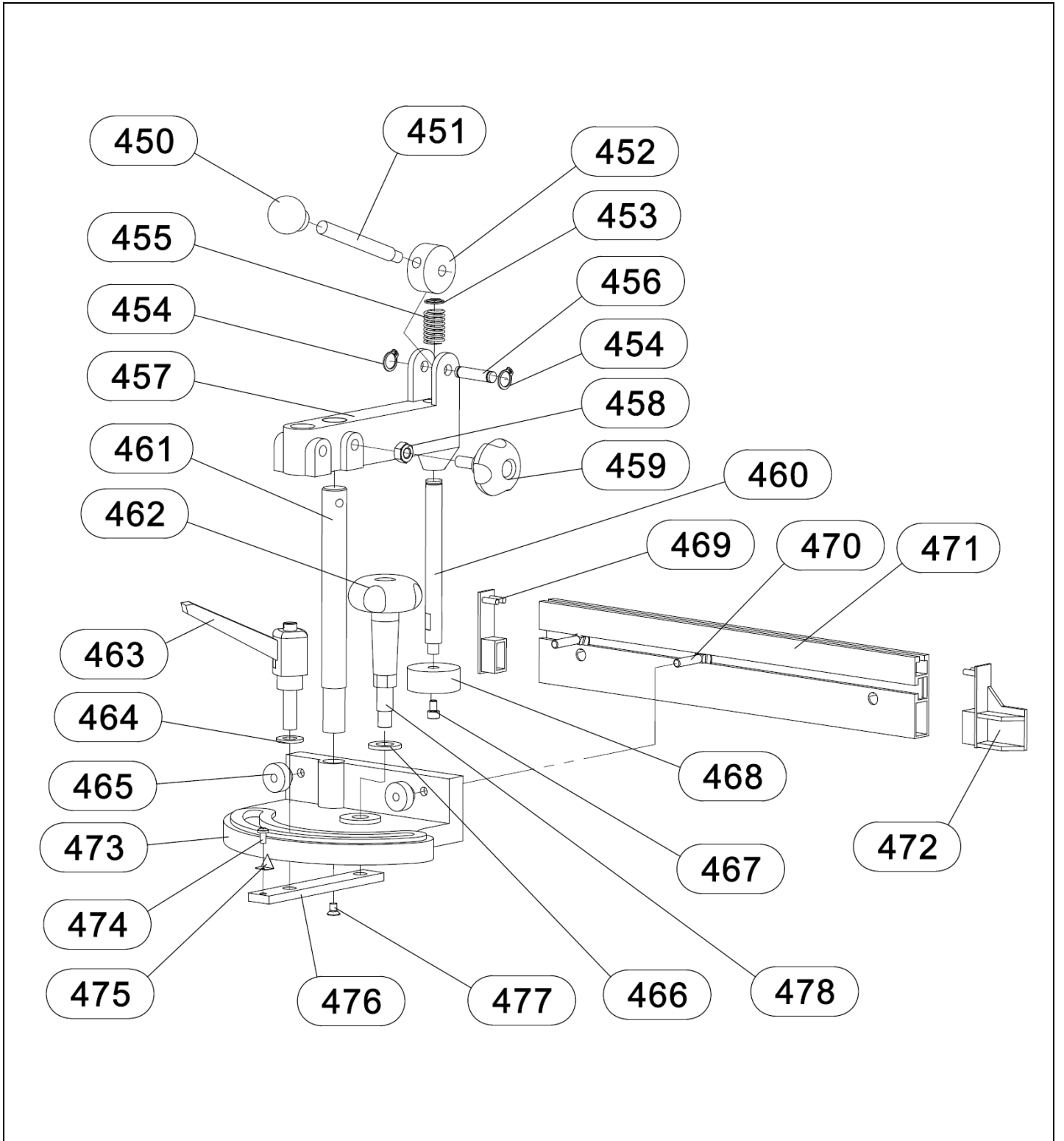
# Parts Breakdown for JTS-1600-M/T Table Saw -----Sliding Table Arm Assembly



## Parts List for JTS-1600-M/T Table Saw ----- Sliding Table Arm Assembly

Index No.	Part No.	Description	Size	Qty.
301	JTS1600-301	Supporting Bar		1
302	JTS1600-302	Arm Support Bar		1
303	JTS1600-303	End Cap		2
304	JTS1600-304	Nut Plate		2
305	JTS1600-305	Wheel		4
306	JTS1600-306	Wheel Cover		4
307	JTS1600-307	Felt		2
308	JTS1600-308	Eccentric Shaft		4
309	JTS1600-309	Arm		1
310	JTS1600-310	Shaft		1
311	JTS1600-311	Shaft		1
312	JTS1600-312	Support Bracket		1
313	JTS1600-313	End Cap		2
314	JTS1600-314	Circlip	15	1
315	JTS1600-315	Pan Head Screw	M5x8	7
316	JTS1600-316	Flat Washer	5	6
317	JTS1600-317	Pan Head Screw	M5x6	4
318	JTS1600-318	Flat Washer	5	6
319	JTS1600-319	Ball Bearing	6000	8
320	JTS1600-320	Soket Head Cap Screw	M6x12	5
321	JTS1600-321	Flat Washer	6	4
322	JTS1600-322	Ball Bearing	6202	2
323	JTS1600-323	Hex Bolt	M8x25	4
324	JTS1600-324	Hex Nut	M8	4
325	JTS1600-325	Hex Bolt	M10x25	1
326	JTS1600-326	Flat Washer	10	1
327	JTS1600-327	Hex Nut	M16	1
328	JTS1600-328	Flat Washer	16	1
329	JTS1600-329	Hex Bolt	M8x65	1
330	JTS1600-330	Hex Nut	M8	5
331	JTS1600-331	Flat Washer	8	1
332	JTS1600-332	Hex Nut	M20	2
333	JTS1600-333	Flat Washer	20	2
334	JTS1600-334	Pan Head Screw	M6x16	1
335	JTS1600-335	Hex Nut	M6	1
336	JTS1600-336	Soket Head Cap Screw	M8x35	4
337	JTS1600-337	Bolt		1
338	JTS1600-338	Base		1
339	JTS1600-339	Circlip		1

# Parts Breakdown for JTS-1600-M/T Table Saw ----- Mitre Gauge Assembly



## Parts List for JTS-1600-M/T Table Saw ----- Mitre Gauge Assembly

Index No.	Part No.	Description	Size	Qty.
450	JTS1600-450	Handle Ball		1
451	JTS1600-451	Handle		1
452	JTS1600-452	Eccentric Wheel		1
453	JTS1600-453	Circlip	12	1
454	JTS1600-454	Circlip	8	2
455	JTS1600-455	Spring		1
456	JTS1600-456	Pin		2
457	JTS1600-457	Arm Seat		1
458	JTS1600-458	Nut	M8	1
459	JTS1600-459	Locking Handle		1
460	JTS1600-460	Threaded Rod		1
461	JTS1600-461	Rocker Rod		1
462	JTS1600-462	Locking Handle		1
463	JTS1600-463	T Locking Handle		1
464	JTS1600-464	Flat Washer	10	1
465	JTS1600-465	Set Nut		2
466	JTS1600-466	Flat Washer	12	1
467	JTS1600-467	Soket Head Cap Screw	M5x8	1
468	JTS1600-468	Hold Down Block		1
469	JTS1600-469	End Cap		2
470	JTS1600-470	Bolt	M6X30	2
471	JTS1600-471	Fence		1
472	JTS1600-472	End Cap		1
473	JTS1600-473	Swivel Base		1
474	JTS1600-474	Pan Head Screw	M4x6	1
475	JTS1600-475	Indicator		1
476	JTS1600-476	Guide Plate		1
477	JTS1600-477	Flat Head Cap Screw	M8x16	1
478	JTS1600-478	Locking Handle		1
479	JTS1600-479	Mitre Gauge Assembly (#450 Thru 478)		1

# Wiring Diagram for JTS-1600-M/T Table Saw

10000076T..... ~ 400V, 50Hz

## 3~400V, 50Hz

