

# **J E T**

**JBOS-5**

**Benchttop Oscillation  
Spindle Sander**

**708404 M  
230/50/1**

## **PARTS LIST**

**Walter Meier (Tool) AG**

Tämperlistrasse 5

CH-8117 Fällanden

Switzerland

Phone +41 44 806 47 48

Fax +41 44 806 47 58

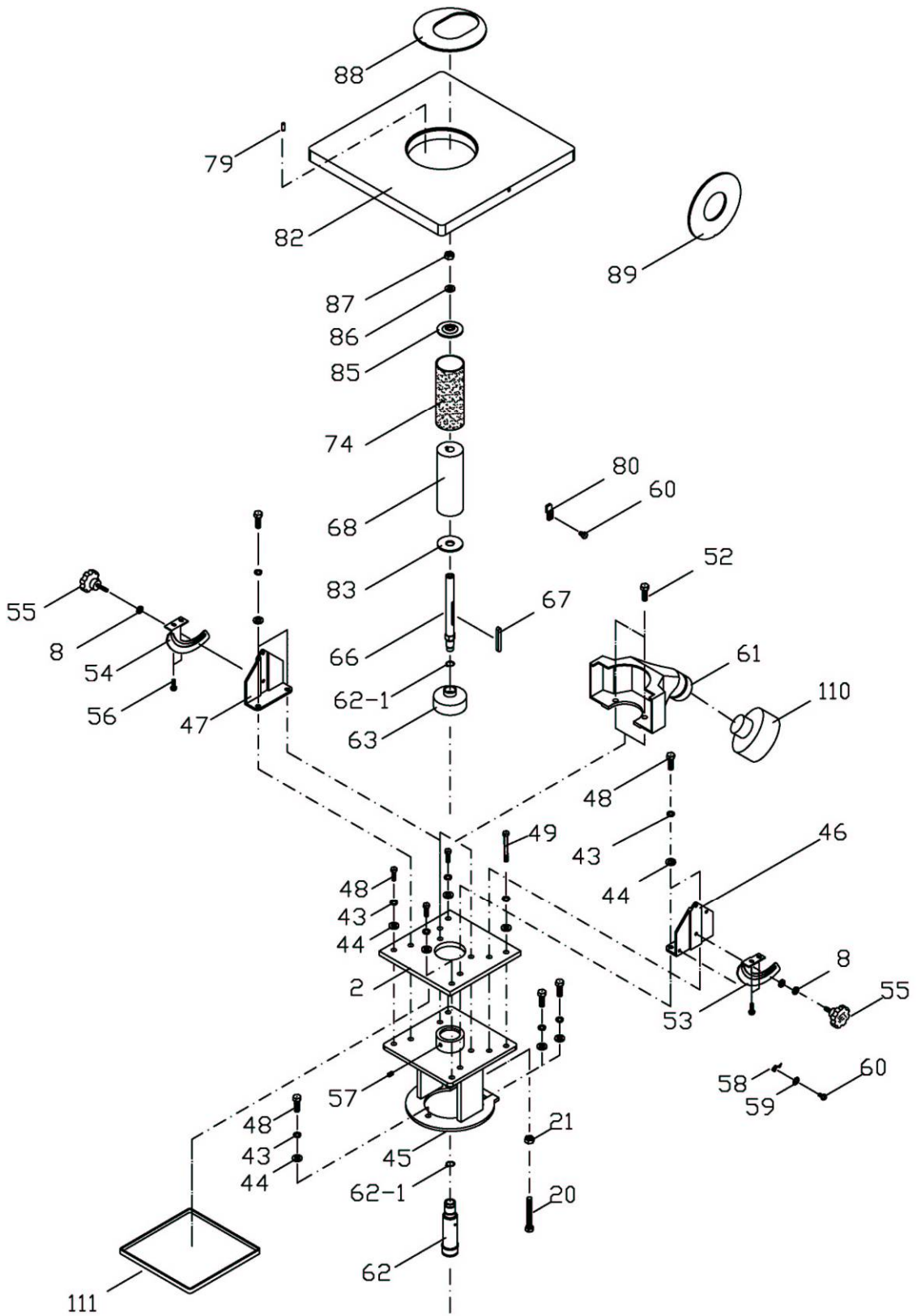
[jetinfo.eu@waltermeier.com](mailto:jetinfo.eu@waltermeier.com)

[www.jettools.com](http://www.jettools.com)

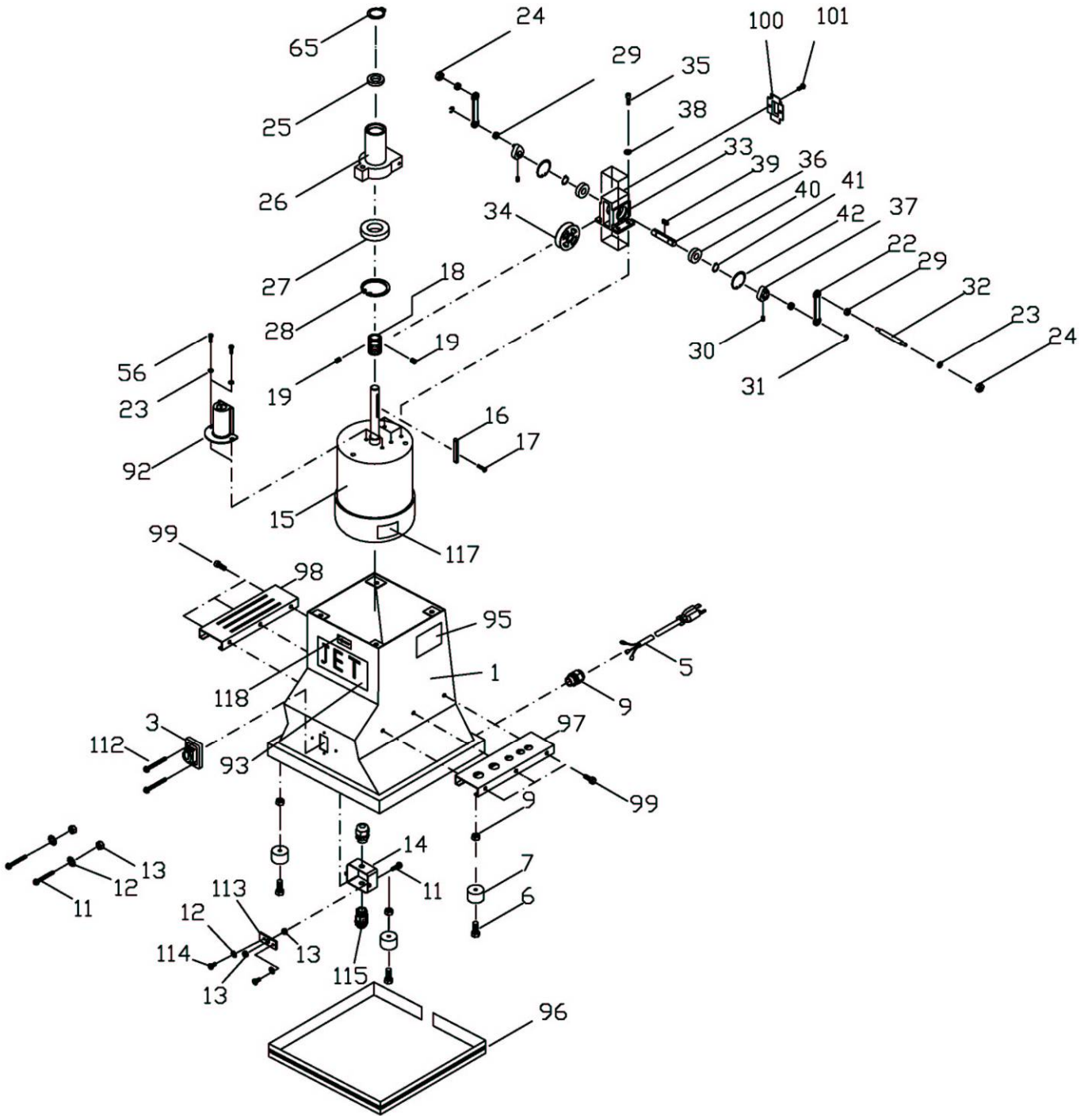


P-708404M 2010/06/25

# Table Assembly for the JBOS-5



# Base & Motor Assembly for the JBOS-5



## Parts List for the JBOS-5

Index No.	Part No.	Description	Size	Qty.
1	6286914E	Base		1
2	6286891	Top Plate		1
3	JBOS5-03E	On/Off Switch		1
4	JBOS5-04E	Strain Relief Bushing		1
5	6286916E	Power Cord	H05 RN-Fx0.75mm	1
6	6286485	Phillips Pan Head Screw	M6x22mm	4
7	6286918	Rubber Feet		4
8	6286919	Washer	1/4"	2
9	6286486	Hex Nut	M6	4
11	6286922	Phillips Pan Head Screw	3/16"-24x5/8"	3
12	6286923	Gear Washer	3/16"	4
13	6286924	Hex Nut	3/16"-24	2
14	JBOS5-14E	Switch Box		1
15	6286912E	Motor	1/2 HP	1
16	6286926	Key	6x6x50	1
17	6286927	Flat Head Screw	M4x10	1
18	6286928	Worm Shaft		1
19	6286487	Set Screw	M6x10	2
20	6286930	Transmission Rod		1
21	6286931	Hex Nut	M8	1
22	6286932	Connecting Rod		2
23	6286933	Washer	1/4"	4
24	6286488	Nylon Nut	M5	2
25	BB-6804	Ball Bearing	6804-2RS	1
26	6286470	Transmission		1
27	BB-6006ZZ	Ball Bearing	6006ZZ	1
28	6286938	C-Snap Ring	R60	1
29	6286939	Bushing		4
30	6286481	Set Screw	M5X6	2
31	6286482	E-Ring	ETW-4	2
32	6286471	Connecting Shaft		1
33	6286472	Bracket		1
34	6286473	Worm		1
35	6286490	Hex Socket Cap Screw	M6x15	4
36	6286476	Shaft		2
37	6286480	Crank Shaft		2
38	6286474	Spring Washer	1/4"	4
39	6286475	Key	4x4x15	1
40	BB-6001ZZ	Ball Bearing	6001ZZ	2
41	6286478	C-Snap Ring	S12	2
42	6286479	C-Snap Ring	R28	2
43	6286483	Spring Washer	5/16"	11
44	6286484	Flat Washer	5/16"	11
45	6286948	Housing		1
46	6286949	L-Type Bracket-Right		1
47	6286950	L-Type Bracket-Left		1
48	6286951	Screw	M8x25	11
49	JBOS5-49	Hex Cap Screw	M8x110	1
52	6286951	Screw	M8x16	2
53	JBOS5-53	Support Trunnion-Right		1
54	JBOS5-54	Support Trunnion-Left		1
55	JBOS5-55	JET Lock Knob	M6x15	2
56	JBOS5-56	Hex Socket Cap Screw	M5x15	6
57	6286492	Set Screw	M6x5	1
58	6286961	Pointer		1

Index No.	Part No.	Description	Size	Qty.
59	6286493	Gear Washer	1/4"	1
60	6286963	Round Cross Head Screw	M5x10	4
61	6286964	Dust Cover		1
62	6286894N	Main Spindle		1
62-1	S0520020	C-Ring	S20	2
63	6286967	Cover		1
65	JBOS5-65	C-Snap Ring	S28	1
66	JBOS5-66	5/8" Sanding Spindle		3
	JBOS5-71	1/2" Sanding Spindle (not shown)		1
	JBOS5-72	1/4" Sanding Spindle (not shown)		1
67	JBOS5-67	Key	6x6x50	2
68	6286904	2" P.V.C Bushing		1
	6286903	1-1/2" P.V.C Bushing (not shown)		1
79	6286495	Spring Pin	3x12	1
80	6286796	5/8" Clamp		1
	6286795	1/2" Clamp (not shown)		1
	6286794	1/4" Clamp (not shown)		1
82	6286973W	Table		1
83	6286798	2" Lower Follower Plate		2
	6286974	1-1/2" Lower Follower Plate (not shown)		1
85	6286799	2" Upper Follower Plate		1
	6286976	1-1/2" Upper Follower Plate (not shown)		1
86	6286977	Washer	5/16"	3
87	6286978	Hex Nut	5/16"	3
88	6286979	2" Oblong Table Insert		1
89	6286980	2" Table Insert		1
	6286981	3/4" Oblong Table Insert (not shown)		1
	6286982	3/4" Table Insert (not shown)		1
92	JBOS5-92	Oil Cap		1
93	JBOS5-93	JET Label		1
95	JBOS5-95E	I.D Label		1
96	JBOS5-96	Stripe		1
97	JBOS5-97	Storage Plate for Drums		1
98	JBOS5-98	Storage Plate for Table Inserts		1
99	TS-1514011	Hex Socket Cap Screw	M6x12	6
100	JBOS5-100	Oil Cover		1
101	JBOS5-101	Pan Hand Screw	3/16"x1/4"	2
110	JBOS5-110E	Dust Collect		1
111	JBOS5-111	Safety strip		1
112	JBOS5-112	Hex Cap Bolt	3/16"-36x3/8"	2
113	JBOS5-113	Sheet Copper		1
114	JBOS5-114	Pan Head Screw	3/16"-24x1/4"	2
115	JBOS5-115E	Clamp	PG11	3
117	JBOS5-117E	Motor Label		1
118	JBOS5-118E	Direction Label		1
	JBOS5-105	Special Wrench (not shown)	17mm	1
	JBOS5-106	Open End Wrench (not shown)		1
	709530	Hardware Kit (not shown)		1

### Individual Replacement Sanding Sleeves

575800	1/4"	100 Grit
575801	1/4"	120 Grit
575806	1/2"	60 Grit
575807	1/2"	80 Grit
575808	1/2"	100 Grit
575809	1/2"	120 Grit
575810	5/8"	60 Grit
575811	5/8"	80 Grit
575812	5/8"	100 Grit
575813	5/8"	120 Grit
575838	1-1/2"	60 Grit
575839	1-1/2"	80 Grit
575840	1-1/2"	100 Grit
575841	1-1/2"	150 Grit
575842	2"	60 Grit
575843	2"	80 Grit
575844	2"	100 Grit
575845	2"	150 Grit

### 3" Optional Accessories

575846	3"	60 Grit
575847	3"	80 Grit
575848	3"	100 Grit
575849	3"	150 Grit
709539	3"	Table Insert
709534	3"	Spindle Assembly
709538	3"	Rubber Drum and Sleeve

### Available accessories

709534	Complete spindle assembly 76mm with rubber sanding drum and sleeve
709538	Rubber sanding drum and sleeve 76mm
709539	Table insert 76mm
30203000A	Complete spindle assembly 6mm
30203000B	Complete spindle assembly 12mm
30203000I	Complete spindle assembly 16mm
30203000D	Complete spindle assembly 38mm
30203000E	Complete spindle assembly 50mm

# JBOS-5 708404 M

230/50/1

	colour of strands	Litzenfarben	couleur des cordons
BK	black	schwarz	noir
WH	white	weiß	blanc
BU	blue	blau	bleu
YE	yellow	gelb	jaune
RD	red	rot	rouge
BN	brown	braun	brun
GY	grey	grau	gris
GNYE	green-yellow	grün-gelb	vert-jaune
OG	orange	orange	orange
VT	violet	violett	violet

	meaning of symbol	Bedeutung der Zeichen	interprétation
M	motor	Motor	moteur
S	switch	Schalter	interrupteur
C	condenser	Kondensator	condensateur
E	electronic unit	Elektronik Einheit	unité électronique
F	fuse	Sicherung	fusible
RS	reversing switch	Drehrichtungsschalter	commu. droite/gauche
CS	centrifugal switch	Fliehkraftschalter	déclencheur centrifuge
OL	overload cut-off	Überlastschuttschalter	déclencheur surcharge
LS	limit switch	Positionsendschalter	micro

