

# **JET**

**JWL-1640EVS WOOD LATHE**

**JWL-1640EVS-M...719500M...  
1~ 230V, 50Hz**

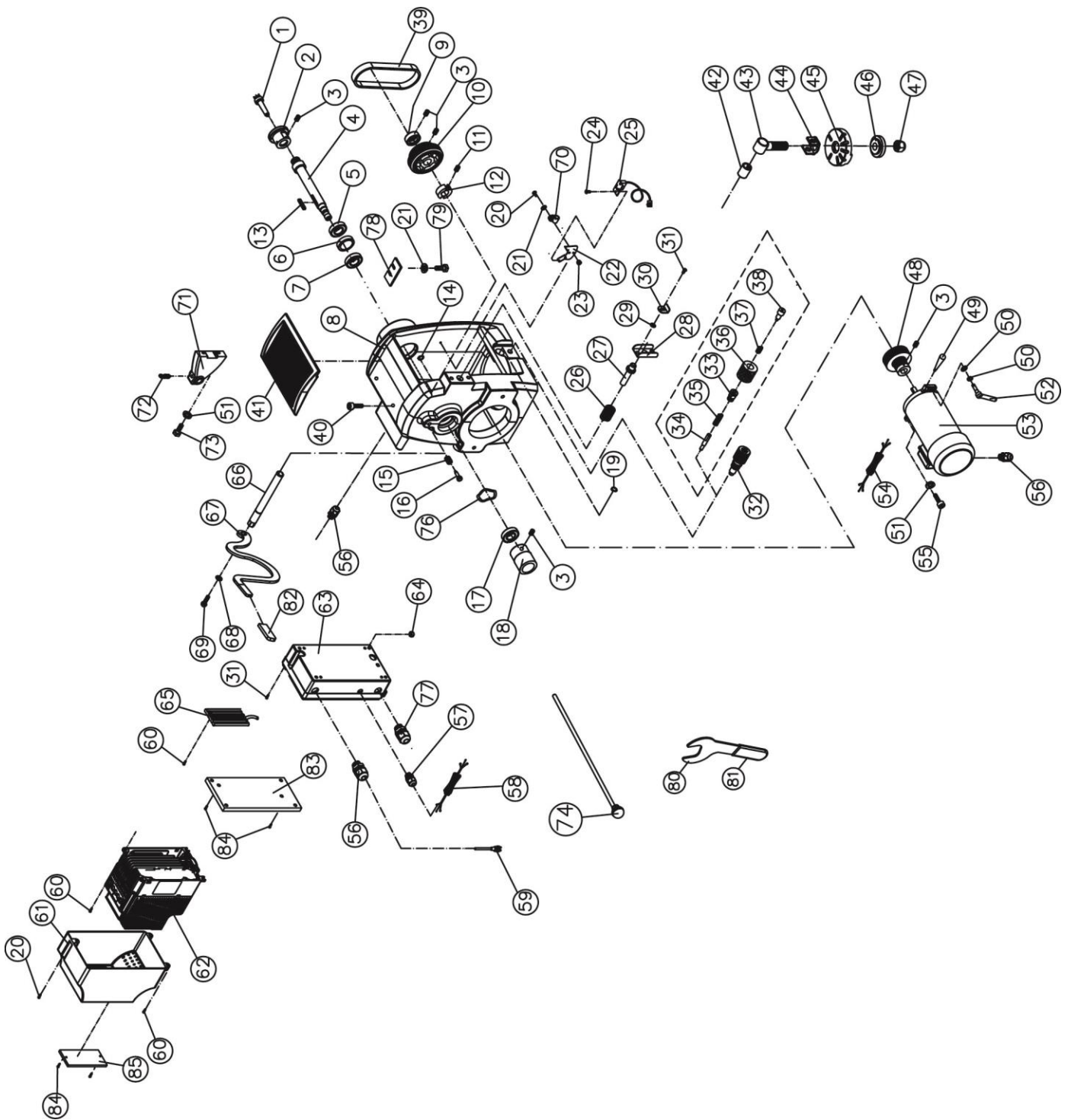
## **PARTS LIST**

**JPW (Tool) AG**  
Tämplerlistrasse 5  
CH-8117 Fällanden  
Switzerland  
Phone +41 44 806 47 48  
Fax +41 44 806 47 58  
[www.jettools.com](http://www.jettools.com)



P-719500M 2016-09

# JWL-1640EVS Headstock Assembly – Exploded View

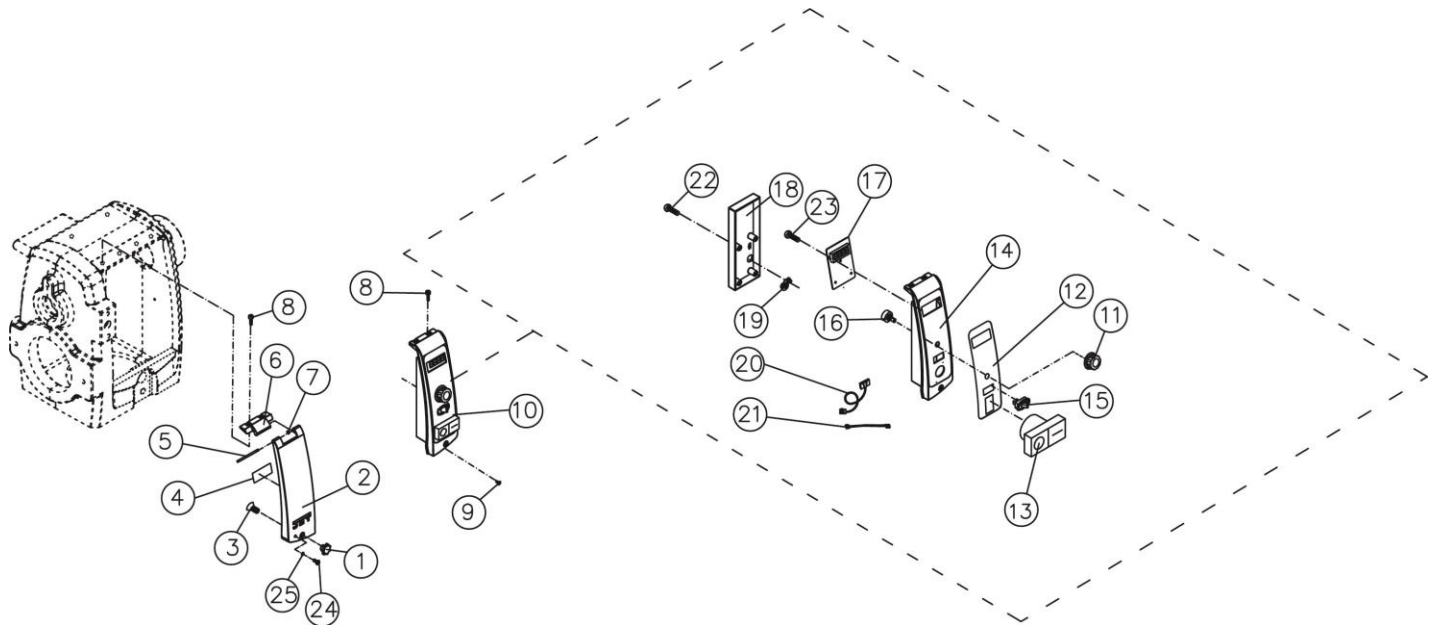


## JWL-1640EVS Headstock Assembly – Parts List

Index No.	Part No.	Description	Size	Qty
1	JWL1642-102	Spur Center	MT2	1
2	6294736E	Faceplate	3"	1
3	6295796	Nylon Insert Socket Set Screw	1/4-20x3/8"	10
4	JWL1640EVS-104E	Spindle		1
5	BB-6207VV	Bearing	6207-LLB	1
6	3520B-208	Bushing		1
7	BB-6207ZZ	Bearing	6207ZZ	1
8	JWL1640EVS-108E	Headstock Casting		1
9	JWL1640EVS-109	Sensor Collar		1
10	JWL1640EVS-110	Spindle Pulley		1
11	TS-0270031	Set Screw	5/16"-18x3/8"	2
12	JWL1642-174	Locking Collar		1
13	JWL1640EVS-113	Key	8 x 8 x 80	1
14	JWL1640EVS-114	C-Ring	S-8	1
15	JWL1640EVS-115	Spring		1
16	JWL1640EVS-116	Index Pin		1
17	BB-6205ZZ	Bearing	6205ZZ	1
18	JWL1640EVS-118	Handwheel		1
19	JWL1640EVS-119	C-Ring	S-19	2
20	TS-081C052	Pan Head Screw	#10-24x3/4"	4
21	TS-069204	Flat Washer	#10	2
22	JWL1640EVS-122	Cover for Sensor		1
23	TS-0560071	Hex Nut	#10-24	3
24	TS-2283102	Pan Head Screw	M3x10	2
25	JWL1640EVS-125	Sensor for Spindle		1
26	JWL1442-116	Spring		1
27	JWL1640EVS-127	Spindle Lock Pin		1
28	JWL1442-121	Bracket		1
29	4224B-143	Resist Washer		1
30	4224B-1122E	Sliding Plate		1
31	TS-0253031	Socket Head Button Screw	#10-24x1/2"	6
32	JWL1640EVS-PPA	Pivot Pin Assembly (includes #33 thru 38)		1
33	JWL1442-176	Index Bushing		1
34	JWL1640EVS-134	Pivot Index Pin		1
35	JWL1442-175	Spring		1
36	JWL1442-173	Index Knob		1
37	JWL1442-172	Spring		1
38	JWL1440-177	Socket Head Cap Screw		1
39	JWL1640EVS-139	Belt	200J-8	1
40	JWL1640EVS-140	Socket Head Cap Screw	10#-24x1/4"	2
41	JWL1640EVS-141	Cushion		1
42	JWL1442-127	Bushing		1
43	JWL1442-128A	Bolt		1
44	JWL1442-129	Support Bracket		1
45	JWL1440-133	Index Bracket		1
46	JWL1442-154	Clamp		1
47	TS-0650081	Nylon Nut	3/4"-10	1
48	JWL1640EVS-148	Motor Pulley		1
49	4224B-165	Handle		1
50	TS-0680041	Flat Washer	3/8"	2
51	TS-0720091	Lock Washer	3/8"	3
52	6350031	Lock Handle		1
53	JWL1640EVS-153E	Motor		1
54	JWL1642-172E	Motor Cord		1
55	TS-0209051	Socket Head Cap Screw	3/8"-16x1"	1
56	JWL1642-196E	Strain Relief	PG13.5	3
57	JML-70E	Strain Relief	PG9	1
58	JWL1640EVS-158E	Signal Cord		1
59	JWL1640EVS-159E	Power Cord		1
60	JWL1640EVS-160	Pan Head Screw	#10 - 24 x1"	8

Index No.	Part No.	Description	Size	Qty
61	JWL1640EVS-161E	Inverter Upper Cover		1
62	JWL1640EVS-162E	Inverter	VFD007E11A	1
63	JWL1640EVS-163	Inverter Lower Box		1
64	TS-0560071	Hex Nut	#10-24	7
65	JWL1642-169	Braking Resistor		1
66	JWL1640EVS-166	Eccentric Rod		1
67	JWL1640EVS-167	Handle with Rubber Grip (includes #82)		1
68	TS-0680042	Flat Washer	3/8"	1
69	TS-0209011	Socket Head Cap Screw	3/8"-16x1/2"	1
70	JWL1642-183	Clamp		2
71	JWL1640EVS-171	Safety Guard Bracket		1
72	6644005	Plunger		1
73	JWL1640EVS-173	Hex Bolt	3/8"-16 x 1-3/8"	2
74	JWL1442-164	Knock Out Rod		1
76	JWL1442-108	Wave Washer		1
77	JWL1642-196E	Strain Relief	PG 13.5	1
78	JWL1640EVS-178	Plate		1
79	TS-0206041	Socket Head Cap Screw	#10-24x 3/4"	2
80	JWL1221VS-269E	Wrench (includes #81)		1
81	JWL1221VS-270	Rubber Grip		1
82	JWL1640EVS-182	Rubber Grip		1
83	JWL1640EVS-183E	Adaptor Plate		1
84	JWL1640EVS-184E	Socket Head Button Screw	#10-24x5/16"	4
85	JWL1640EVS-185E	Plate		1
	LM000172E	Caution Label – Anti-rotation Block (not shown)		1

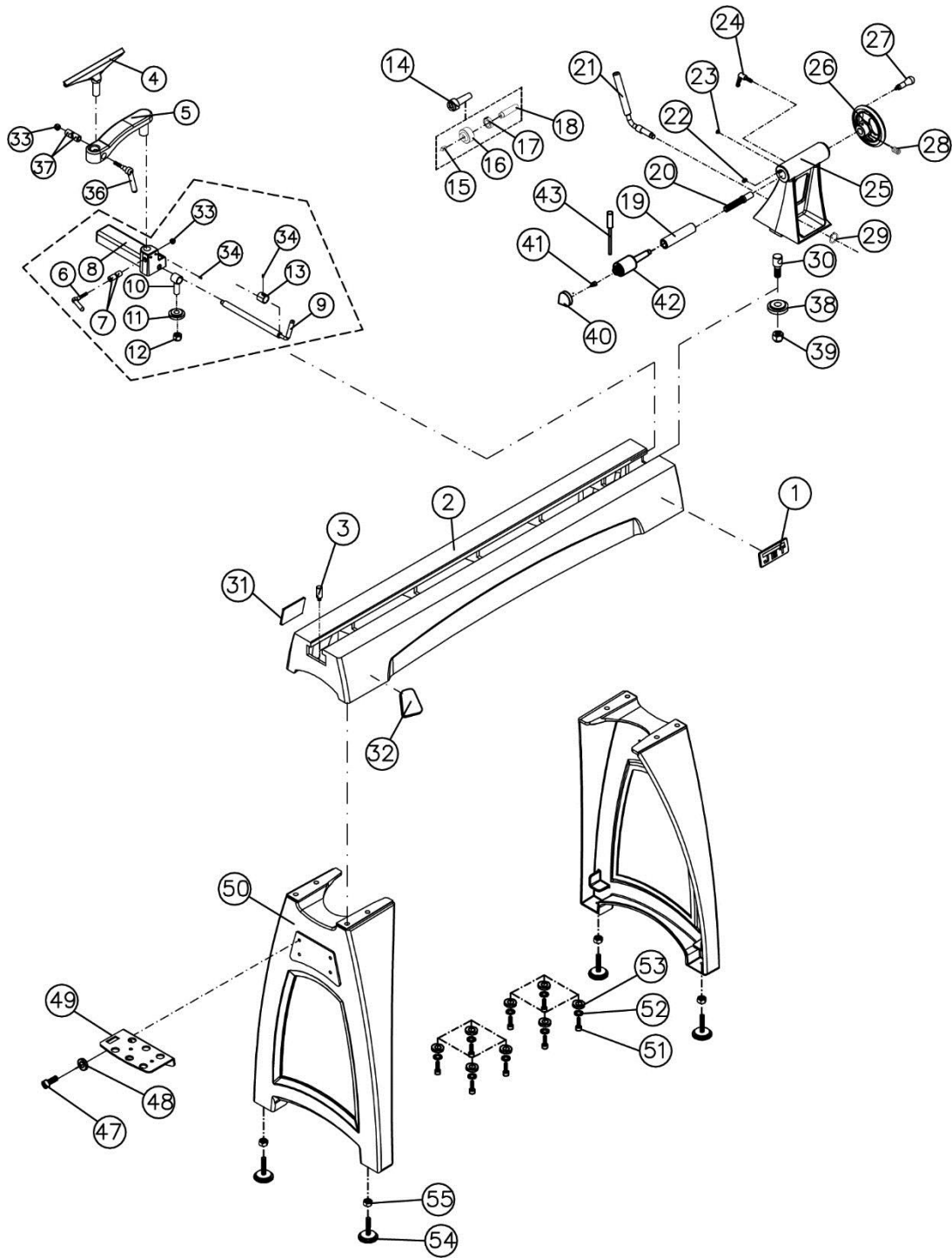
## JWL-1640EVS Controller Assembly – Exploded View



## JWL-1640EVS Controller Assembly – Parts List

Index No.	Part No.	Description	Size	Qty
1	JWL1640EVS-201	Knob		1
2	JWL1640EVS-202E	Access Door (With Magnets)		1
3	TS-2248252	Socket Head Button Screw	M8-1.25Px25	1
4	LM000171E	Speed Label		1
5	JWL1640EVS-205	Pin		1
6	JWL1640EVS-206	Hinge		1
7	JWL1640EVS-207	O- Ring		1
8	TS-0253031	Socket Head Button Screw	#10-24x1/2"	4
9	JWL1640EVS-160	Pan Head Screw	#10-24x1"	1
10	JWL1640EVS-CAE	Controller Assembly (includes #11 thru 23)		1
11	JWL1642-143	Variable Speed Knob		1
12	LM000066E	Control Panel Label		1
13	4224B-147E	Main Switch		1
14	JWL1640EVS-214E	Control Front Cover (includes #12)		1
15	4224B-148	Switch Fwd/Rev		1
16	6295915	Control Pot Assembly		1
17	JWL1640EVS-217	PC Board		1
18	JWL1640EVS-218	Back Box		1
19	JWL1221VS-320	Strain Relief		1
20	JWL1640EVS-220E	Signal Cord (inverter to control box)		1
21	JWL1640EVS-221	Connection Cord (Spindle Sensor to PC board)		1
22	TS-2284082	Machine Screw	M4x8	4
23	TS-2171012	Machine Screw	M4x6	4
24	JWL1640EVS-224E	Machine Screw	#10-24x1-1/4"	1
25	JWL1221VS-136E	O-Ring		1
26	JWL1640EVS-226E	Warning Label, Access door		1

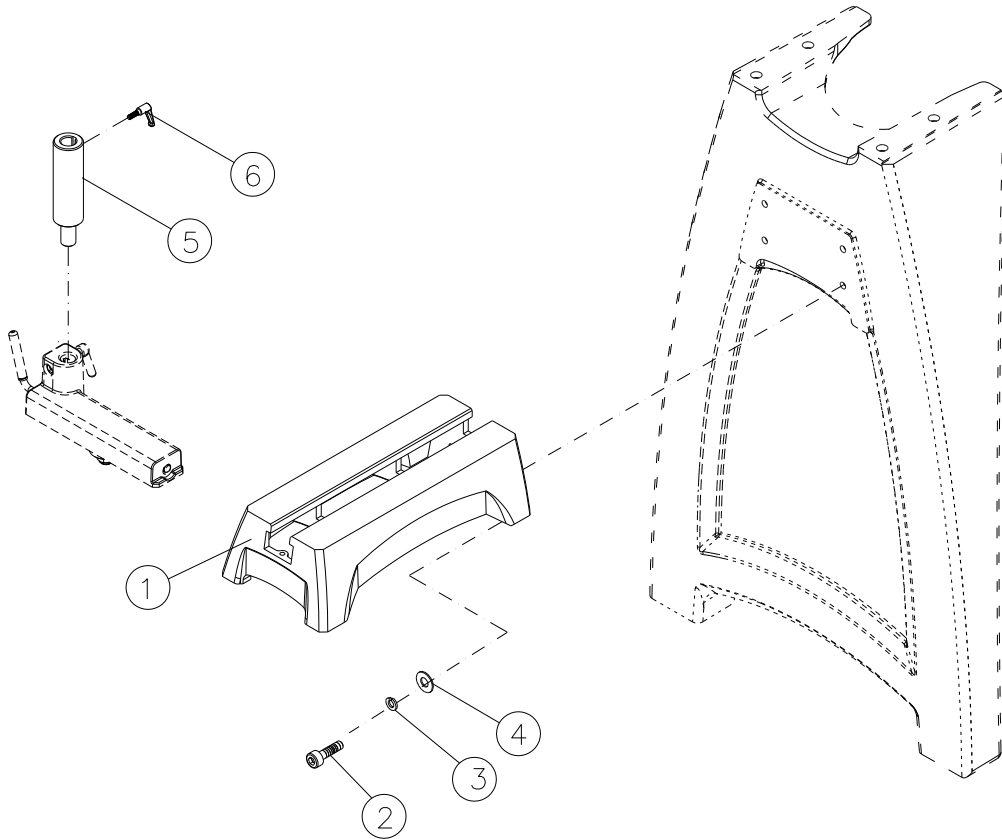
# JWL-1640EVS Bed and Stand Assemblies – Exploded View



## JWL-1640EVS Bed and Stand Assembly – Parts List

Index No.	Part No.	Description	Size	Qty
1	JET-113	JET Logo	113 x 47 mm	1
2	JWL1440-202	Bed		1
3	JWL1440-203	Stud		2
4	JWL1642-211	Tool Rest	14"	1
5	JWL1440-205	Tool Rest Extension		1
	JWL1440-TBA	Tool Rest Base Assembly (includes #6 thru 13, 33, 34)		1
6	JWL1440-206	Handle		1
7	JWL1440-207	Tool Rest Lock Bushing Set		1
8	JWL1440-208	Tool Rest Base		1
9	JWL1442-210A	Tool Support Rod		1
10	JWL1442-128	Clamp Bolt		1
11	JWL1442-154	Clamp		1
12	TS-0650081	Hex Nylon Lock Nut	3/4"-10	1
13	JWL1440-213	Bushing		1
14	708331	Live Center Assembly (includes #15 thru 18)		1
15	JML-52A	Center Point for Live Center		1
16	JML-52	Live Center Head		1
17	BB-6002ZZ	Ball Bearing	6002ZZ	1
18	JML-54	Live Center Shaft		1
	JWL1640EVS-TA	Tailstock Assembly (includes #19 thru 30, 38, 39)		1
19	JWL1640EVS-319	Quill	MT-2	1
20	JWL1640EVS-320	Lead Screw		1
21	JWL1440-221	Tailstock Rod		1
22	JWL1221VS-227	Key		1
23	F009674	Socket Head Button Screw	#10-32x5/8"	1
24	JML-59A	Tailstock Lock Handle		1
25	JWL1640EVS-325	Tailstock Casting		1
26	JWL1440-226	Handwheel		1
27	JWL1442-211	Handle		1
28	TS-0267041	Set Screw	1/4"-20x 3/8"	2
29	JWL1440-229	C-Ring	S-12	1
30	JWL1440-230	Bolt		1
31	LM000170E	ID Label		1
32	6294773P	Warning Label		1
33	TS-0570031	Hex Nut	3/8"-16	2
34	TS-0267021	Set Screw	1/4"-20x1/4"	4
36	JWL1440-206	Handle		1
37	JWL1440-207	Tool Rest Lock Bushing Set		1
38	JWL1442-154	Clamp		1
39	TS-0650081	Hex Nylon Lock Nut	3/4"-10	1
	6295902	Live Center Assembly (includes #40 thru 43)		1
40	6295905	Live Center Cone		1
41	6295904	Live Center Tip		1
42	6295903	Live Center Body		1
43	6295906	Live Center Rod		1
47	TS-0209061	Socket Head Cap Screw	3/8"-16x1-1/4"	2
48	TS-0680041	Flat Washer	3/8"	2
49	JWL1640EVS-349	Tool Shelf		1
50	JWL1440-401	Leg		2
51	TS-0208071	Socket Head Cap Screw	5/16"-18x1-1/4"	8
52	TS-0720081	Lock Washer	5/16"	8
53	TS-0680031	Flat Washer	5/16"	8
54	JWL1642-206	Adjustable Foot	3/8"	4
55	TS-0561031	Hex Nut	3/8"-16	4
	JWL1440-HP1	Hardware Package (includes #51, 52, 53)		

## JWL-1640EVS Extension Bed Assembly (OPTIONAL) – Exploded View

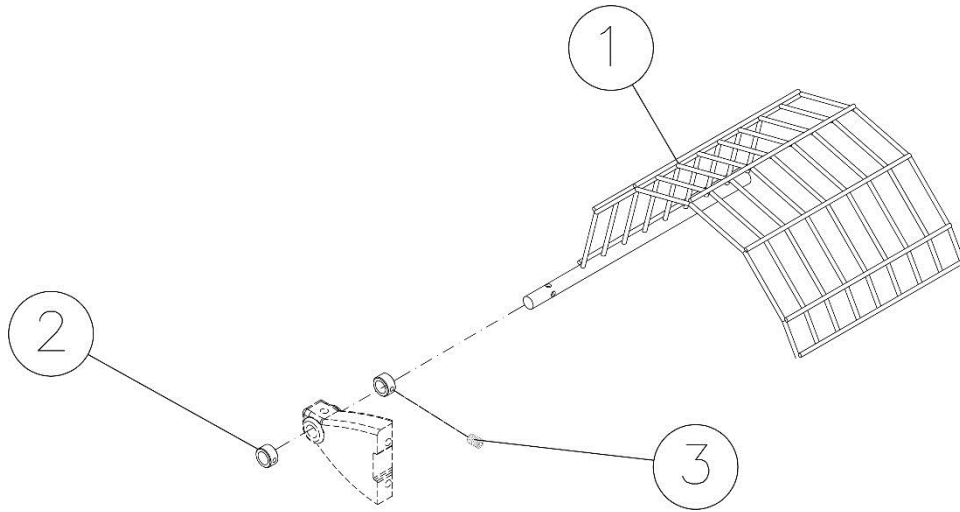


## JWL-1640EVS Extension Bed Assembly (OPTIONAL) – Parts List

Index No.	Part No.	Description	Size	Qty
.....	719401	20" Extension Bed w/ Post (includes #1 thru 6)	.....	1
1	JWL1440-301	Extension Bed	20"	1
2	TS-0209071	Socket Head Cap Screw	3/8"-16x1-1/2"	4
3	TS-0720091	Lock Washer	3/8"	4
4	TS-0680041	Flat Washer	3/8"	4
5	3520B-310	Extension Post	.....	1
6	6294763	Locking Handle	.....	1



## JWL-1640EVS Guard Assembly (OPTIONAL) – Exploded View



## JWL-1640EVS Guard Assembly (OPTIONAL) – Parts List

Index No.	Part No.	Description	Size	Qty
.....	719002	Lathe Guard Assembly (includes #1 thru 3)	.....	.....
1	JWL1642-179	Guard	.....	1
2	JWL1642-187	Collar	.....	2
3	TS-0270011	Set Screw	5/16"-18 x 1/4"	2

# JWL-1640EVS-M..... 719500M...1~230V, 50Hz

	colour of strands	Litzenfarben	couleur des cordons
BK	black	schwarz	noir
WH	white	weiß	blanc
BU	blue	blau	bleu
YE	yellow	gelb	jaune
RD	red	rot	rouge
BN	brown	braun	brun
GY	grey	grau	gris
GNYE	green-yellow	grün-gelb	vert-jaune
OG	orange	orange	orange
VT	violet	violett	violet

	meaning of symbol	Bedeutung der Zeichen	interprétation
M	motor	Motor	moteur
S	switch	Schalter	interrupteur
C	condenser	Kondensator	condensateur
E	electronic unit	Elektronik Einheit	unité électronique
F	fuse	Sicherung	fusible
RS	reversing switch	Drehrichtungsschalter	commu. droite/gauche
S	centrifugal switch	Fliehkraftschalter	déclencheur centrifuge
OL	overload cut-off	Überlastschutzschalter	déclencheur surcharge
LS	limit switch	Positionsendschalter	micro

