



**DC-1200**

**DC-1200CK-M**

**DC-1200CK-T**

## **Dust Collector**

**DC-1200.....10001057M ....1~230V, 50Hz**

**DC-1200.....10001057T .... 3~400V, 50Hz**

**DC-1200CK-M....10000078M ....1~230V, 50Hz**

**DC-1200CK-T....10000078T .... 3~400V, 50Hz**

## **PARTS LIST**

**JPW (Tool) AG**  
Ackerstrasse 45  
CH-8610 Uster  
Switzerland

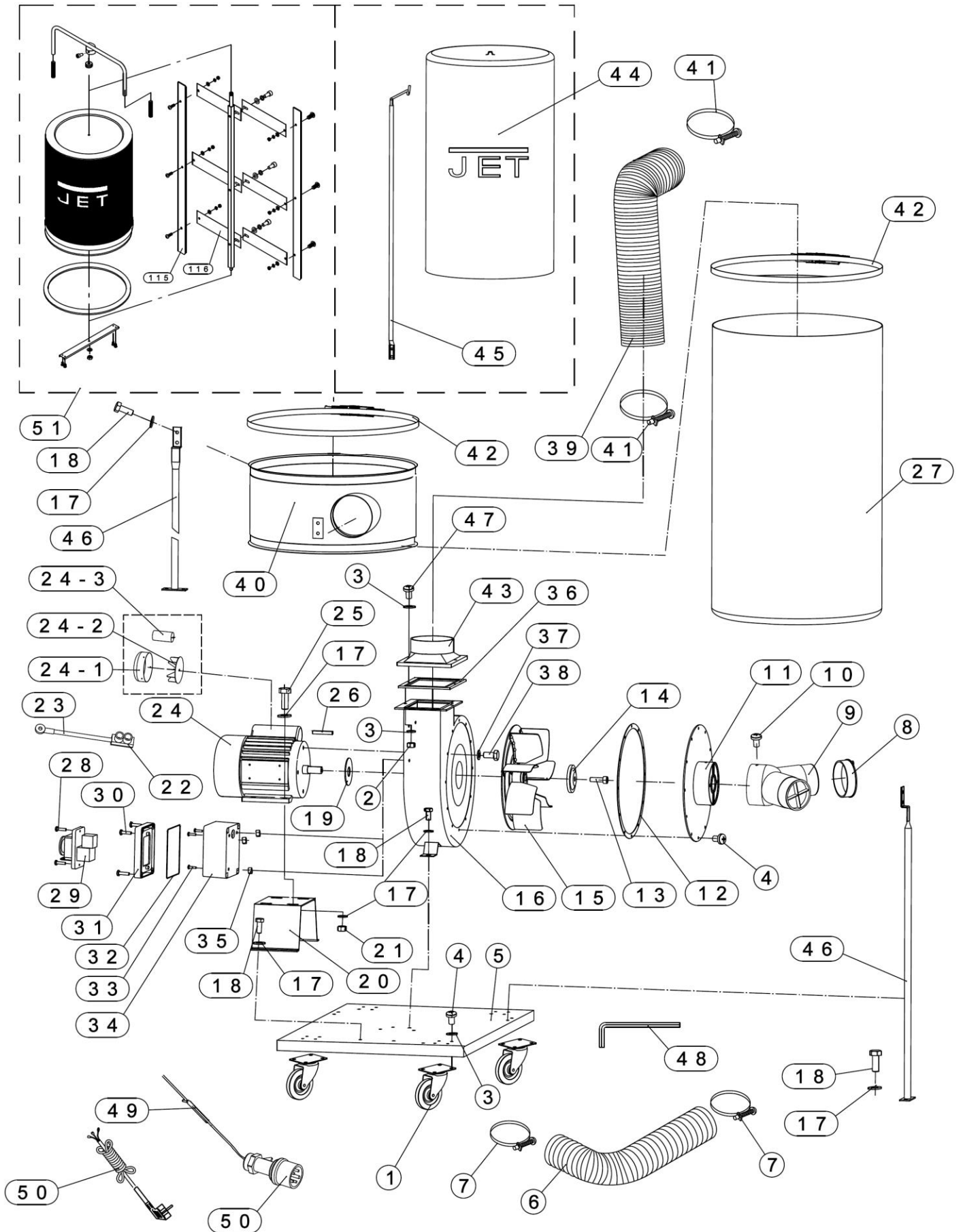


[www.jettools.com](http://www.jettools.com)

P-10001057M/T, 10000078M/T, 19500117

2019-04

# Parts Breakdown for DC-1200 / DC-1200CK-M / DC-1200CK-T Dust Collector



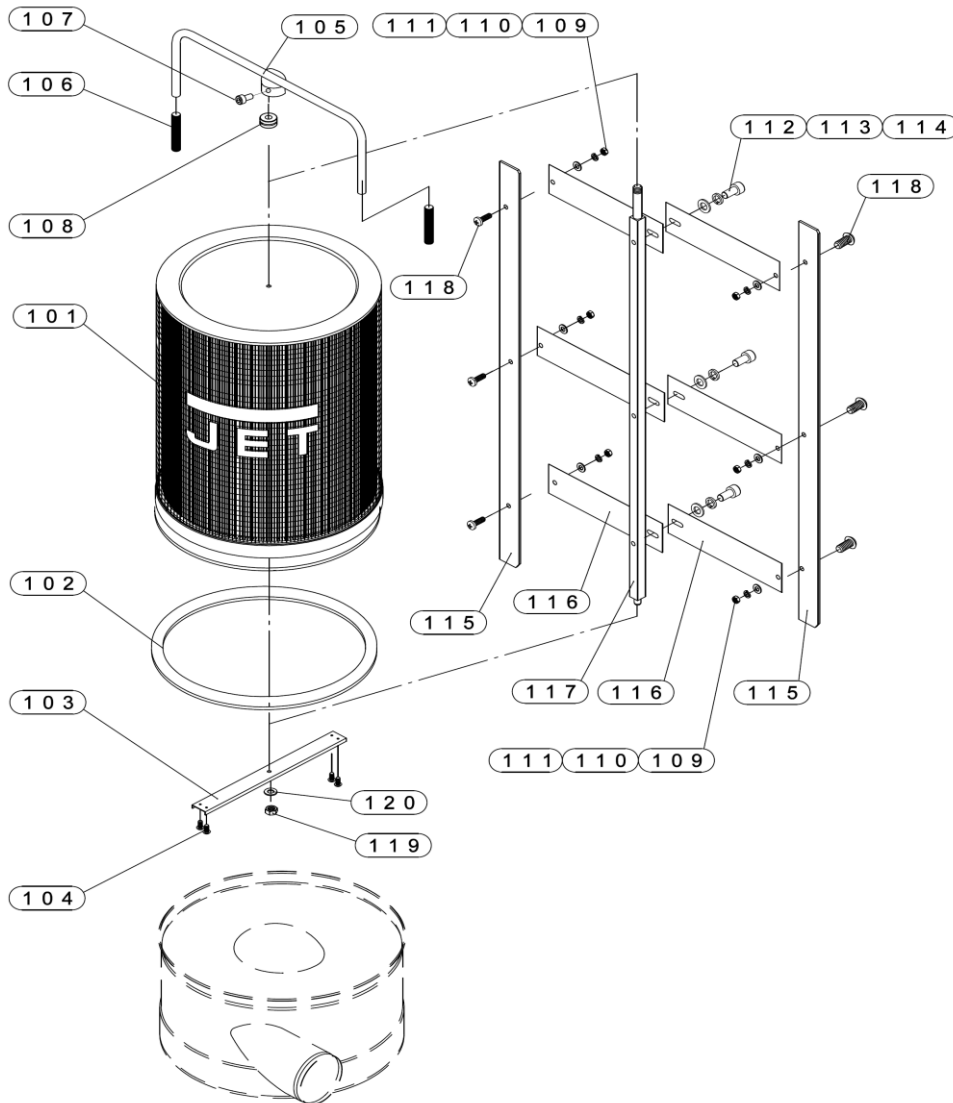
## Parts List for DC-1200 / DC-1200CK-M / DC-1200CK-T Dust Collector

Index No.	Part No.	Description	Size	Qty.
1	DC1200-001	Caster	3"	4
2	DC1200-003	Nut	M6	6
3	DC1200-003	Washer	6	28
4	DC1200-004	Hex. Bolt	M6x10	28
5	DC1200-005	Base		1
6	DC1200-006	Hose	4"x2000	1
7	DC1200-007	Hose Clamp 4"	M100	2
8	DC1200-008	Cap		2
9	DC1200-009	Inlet Port		1
10	DC1200-010	Screw	M5x8	1
11	DC1200-011	Inlet Guard		1
12	DC1200-012	Packing		1
13	DC1200-013	Cap Screw	M6x20-L	1
14	DC1200-014	Washer		1
15	DC1200-015	Impeller		1
16	DC1200-016	Impeller Housing		1
17	DC1200-017	Washer	8	26
18	DC1200-018	Bolt	M8x16	18
19	DC1200-019	Washer		1
20	DC1200-020	Motor Base		1
21	DC1200-021	Hex. Nut	M8	4
22	DC1200-022	Wire Connector		1
23	DC1200-023	Wire		1
24	DC1200T-024	Motor 400V,50Hz, 3PH, P1=1.5kW complete assembly		1
	DC1200M-024	Motor 230V, 50Hz, 1PH, P1=1.5kW complete assembly		1
24-1	DC1200-024-1	Motor Cover		1
24-2	DC1200-024-2	Motor Fan		1
24-3	DC1200-024-3	Capacitor 450V 50uf-- Capacitor for 230V		1
25	DC1200-025	Bolt	M8X25	4
26	DC1200-026	Key	A5x25	1
27	DC1200-027	Collector Bag		1
28	DC1200-028	Screw	ST4.2x12	2
29	DC1200T-029	Switch 400V 50Hz 3PH		1
	DC1200M-029	Switch 230V 50Hz 1PH		1
30	DC1200-030	Screw	ST4.2x16	4
31	DC1200-031	Switch Plate		1
32	DC1200-032	Packing		1
33	DC1200-033	Screw	M5x12	3
34	DC1200-034	Switch Box Base		1
35	DC1200-035	Hex. Nut	M5	3
36	DC1200-036	Packing		4
37	DC1200-037	Washer	10	4
38	DC1200-038	Hex. Bolt	M10x16	4
39	DC1200-039	Hose Tube	5"X750mm	1
40	DC1200-040	Collector		1
41	DC1200-041	Hose Clamp 5"	M125	2
42	DC1200-042	Bag Clamp		2
43	DC1200-043	Outlet		1
44	DC1200-044	Filter Bag		1
45	DC1200-045	Upper bag Support		1
46	DC1200-046	Collector Support		1
47	DC1200-047	Hex. Bolt	M6x20	6
48	DC1200-048	Hex. Wrench	5	1
49	DC1200-049	Wire		1
50	DC1200T-050	Plug 400V 50Hz 3PH		1
	DC1200M-050	Wire & Plug 230V 50Hz 1PH		1

### Filter Assembly Part List for DC-1200CK-M / DC-1200CK-T Models

Stock No.: 19500117

Index No.	Part No.	Description	Size	Qty.
51	19500117	Cartridge 20/24 Filter (#101 thru 119)		1
101	DC1200CK-101	Filter Assembly (Include #102)		1
102	DC1200CK-102	Rubber Pad		1
103	DC1200CK-103	Support		1
104	DC1200CK-104	Self-Tapping Screw	ST4.8x16	4
105	DC1200CK-105	Handle		1
106	DC1200CK-106	Soft Grip Handle		2
107	DC1200CK-107	Socket Head Cap Screw	M6x10	1
108	DC1200CK-108	Ball Bearing	6201	1
109	DC1200CK-109	Hex Nut	M5	6
110	DC1200CK-110	Lock Washer	5	6
111	DC1200CK-111	Flat Washer	5	6
112	DC1200CK-112	Socket Head Cap Screw	M6x12	3
113	DC1200CK-113	Lock Washer	6	3
114	DC1200CK-114	Flat Washer	6	3
115	DC1200CK-115	Scraper		2
116	DC1200CK-116	Press Plate		6
117	DC1200CK-117	Shaft		1
118	DC1200CK-118	Pan Head Machine Screw	M5x12	6
119	DC1200CK-119	Lock Nut	M12	1
120	DC1200CK-119	Flat Washer	12	1

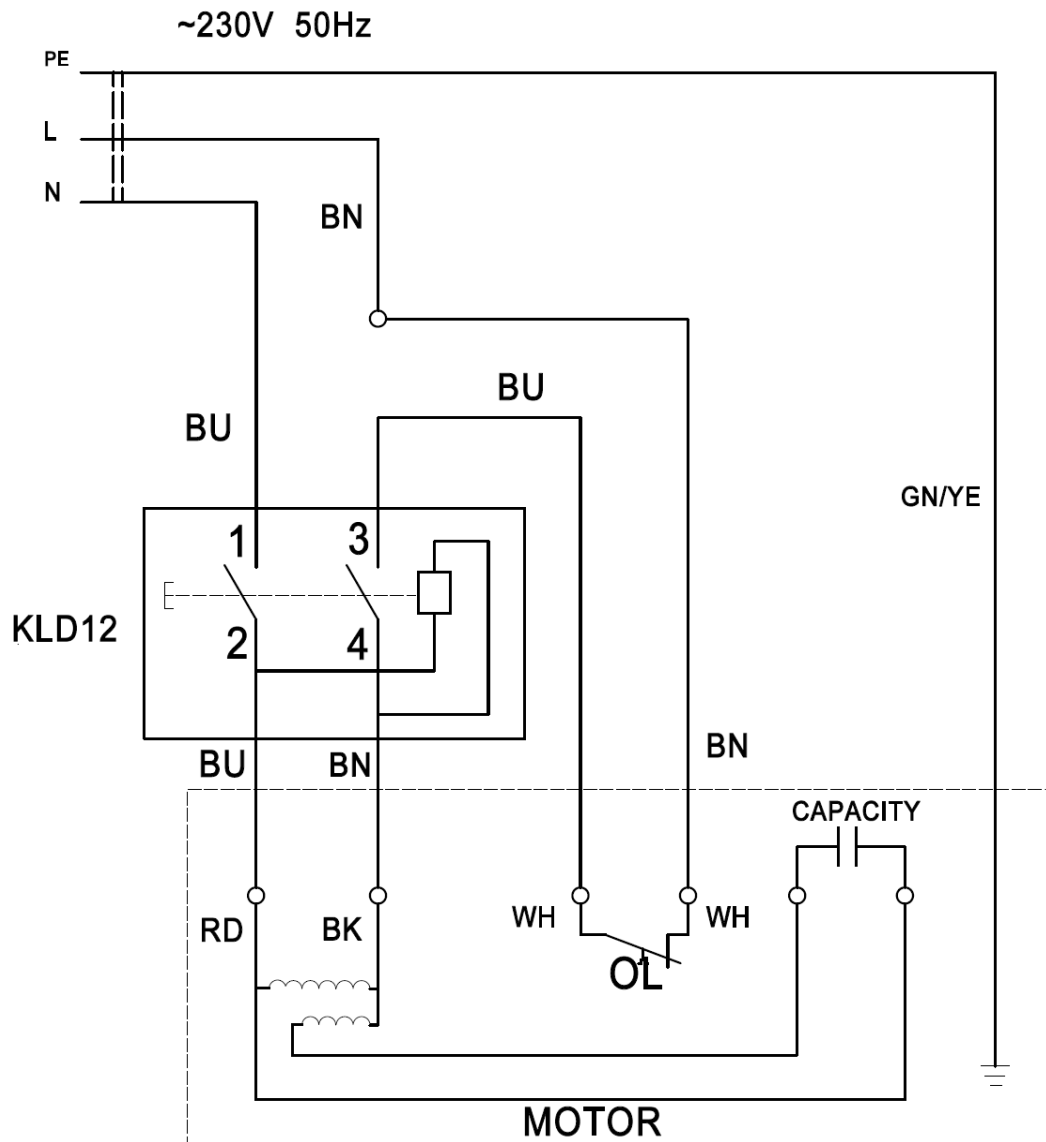


# Wiring Diagram for DC-1200 / DC1200CK-M Dust Collector

	colour of strands	Litzenfarben	couleur des cordons
BK	Black	Schwarz	Noir
WH	White	Weiß	blanc
BU	Blue	Blau	Bleu
BN	Brown	Braun	Brun
YE	Yellow	Gelb	Jaune
RD	Red	rot	rouge
GNYE	green-yellow	grün-gelb	vert-jaune

	meaning of symbol	Bedeutung der Zeichen	interprétation
M	motor	Motor	moteur
S	switch	Schalter	interrupteur
C	Condenser	Kondensator	Condensateur
OL	Overload cut-off	Überlastschuttschalter	Déclencheur surcharge

**10001057M** ..... ~230V, 50Hz  
**10000078M** ..... ~230V, 50Hz



# Wiring Diagram for DC-1200 / DC1200CK-T Dust Collector

10001057T ..... 3~400V, 50Hz  
 10000078T ..... 3~400V, 50Hz

3~400V 50Hz

