

# JET

**DC-1200**

**DUST COLLECTOR**

10001057M

~230V, 50Hz/1

10001057T

~400V, 50Hz/3

## PARTS LIST

**JPW (TOOL) AG**

Tämperlistrasse 5

CH-8117 Fällanden

Switzerland

Phone +41 44 806 47 48

Fax +41 44 806 47 58

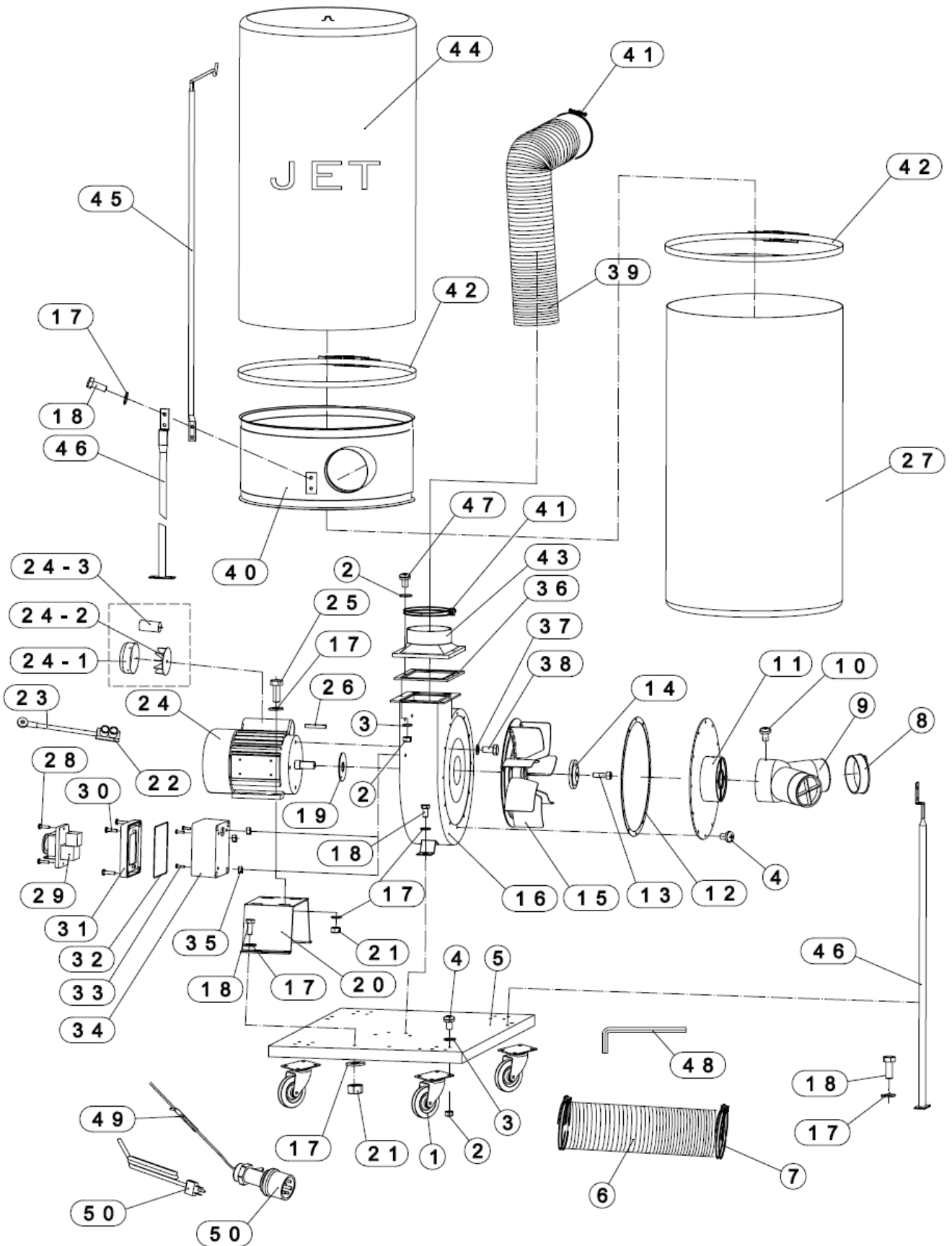


[www.jettools.com](http://www.jettools.com)

P-10001057M/T

2014-03

## Parts Breakdown for DC-1200 Dust Collector



## Parts List for DC-1200 Dust Collector

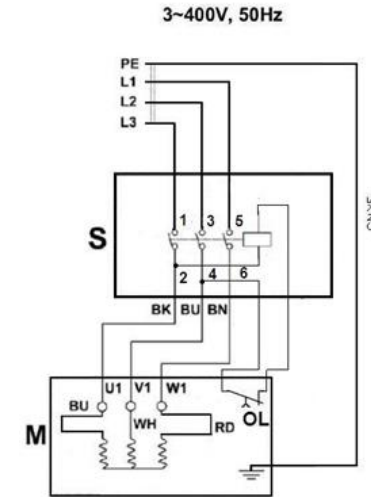
| Index No. | Part No.     | Description                                       | Size     | Qty. |
|-----------|--------------|---|----------|------|
| 1         | DC1200-001   | Caster  | 2.5"     | 4    |
| 2         | DC1200-002   | Hex. Nut  | M6       | 22   |
| 3         | DC1200-003   | Washer  | 6        | 28   |
| 4         | DC1200-004   | Hex. Bolt   | M6x10    | 28   |
| 5         | DC1200-005   | Base  |          | 1    |
| 6         | DC1200-006   | Hose  | 4"x2000  | 1    |
| 7         | DC1200-007   | Hose Clamp 4"                                     | M100     | 2    |
| 8         | DC1200-008   | Cap   |          | 2    |
| 9         | DC1200-009   | Inlet Port  |          | 1    |
| 10        | DC1200-010   | Screw   | M5x8     | 1    |
| 11        | DC1200-011   | Inlet Guard                                       |          | 1    |
| 12        | DC1200-012   | Packing   |          | 1    |
| 13        | DC1200-013   | Cap Screw   | M6x20-L  | 1    |
| 14        | DC1200-014   | Washer  |          | 1    |
| 15        | DC1200-015   | Impeller  |          | 1    |
| 16        | DC1200-016   | Impeller Housing                                  |          | 1    |
| 17        | DC1200-017   | Washer  | 8        | 26   |
| 18        | DC1200-018   | Bolt  | M8x16    | 18   |
| 19        | DC1200-019   | Washer  |          | 1    |
| 20        | DC1200-020   | Motor Base  |          | 1    |
| 21        | DC1200-021   | Hex. Nut  | M8       | 4    |
| 22        | DC1200-022   | Wire Connector                                    |          | 1    |
| 23        | DC1200-023   | Wire  |          | 1    |
| 24        | DC1200-024   | Motor 400V,50Hz, 3PH, P1=1.5kW complete assembly  |          | 1    |
|           | DC1200-024   | Motor 230V, 50Hz, 1PH, P1=1.5kW complete assembly |          | 1    |
| 24-1      | DC1200-024-1 | Capacitor for 230/50/1—Only 230V 450V 50uf        |          | 1    |
| 24-2      | DC1200-024-2 | Motor Fan   |          | 1    |
| 24-3      | DC1200-024-3 | Motor Cover                                       |          | 1    |
| 25        | DC1200-025   | Bolt  | M8X25    | 4    |
| 26        | DC1200-026   | Key   | A5x25    | 1    |
| 27        | DC1200-027   | Collector Bag                                     |          | 1    |
| 28        | DC1200-028   | Screw   | ST4.2x12 | 2    |
| 29        | DC1200-029   | Switch 400V 50Hz 3PH                              |          | 1    |
|           | DC1200-029   | Switch 230V 50Hz 1PH                              |          | 1    |
| 30        | DC1200-030   | Screw   | ST4.2x16 | 4    |
| 31        | DC1200-031   | Switch Plate                                      |          | 1    |
| 32        | DC1200-032   | Packing   |          | 1    |
| 33        | DC1200-033   | Screw   | M5x12    | 3    |
| 34        | DC1200-034   | Switch Box Base                                   |          | 1    |
| 35        | DC1200-035   | Hex. Nut  | M5       | 3    |
| 36        | DC1200-036   | Packing   |          | 4    |
| 37        | DC1200-037   | Washer  | 10       | 4    |
| 38        | DC1200-038   | Hex. Bolt   | M10x16   | 4    |
| 39        | DC1200-039   | Hose Tube   | 5"X750mm | 1    |
| 40        | DC1200-040   | Collector   |          | 1    |
| 41        | DC1200-041   | Hose Clamp 5"                                     | M125     | 2    |
| 42        | DC1200-042   | Bag Clamp   |          | 2    |
| 43        | DC1200-043   | Outlet  |          | 1    |
| 44        | DC1200-044   | Filter Bag  |          | 1    |
| 45        | DC1200-045   | Upper bag Support                                 |          | 1    |
| 46        | DC1200-046   | Collector Support                                 |          | 1    |
| 47        | DC1200-047   | Hex. Bolt   | M6x20    | 6    |
| 48        | DC1200-048   | Hex. Wrench                                       | 5        | 1    |
| 49        | DC1200-049   | Wire  |          | 1    |
| 50        | DC1200-050   | Plug 400V 50Hz 3PH                                |          | 1    |
|           | DC1200-050   | Wire & Plug 230V 50Hz 1PH                         |          | 1    |

## Wiring Diagram for DC-1200 Dust Collector

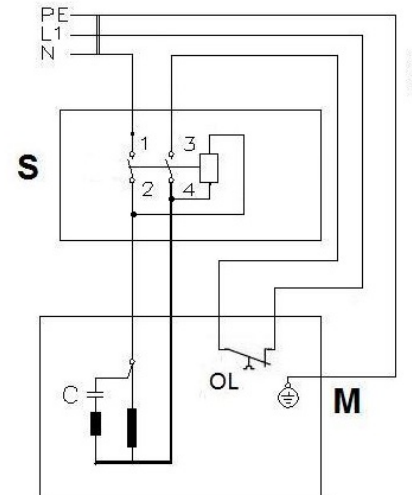
**10001057M** .....~400V, 50Hz

**10001057T** .....~230V, 50Hz

|      | colour of strands | Litzenfarben | couleur des cordons |
|------|-------------------|--------------|---------------------|
| BK   | Black             | Schwarz      | Noir                |
| WH   | White             | Weiß         | blanc               |
| BU   | Blue              | Blau         | Bleu                |
| BN   | Brown             | Braun        | Brun                |
| YE   | Yellow            | Gelb         | Jaune               |
| RD   | Red               | rot          | rouge               |
| GNYE | green-yellow      | grün-gelb    | vert-jaune          |



1~230V, 50Hz



|    | meaning of symbol | Bedeutung der Zeichen  | interprétation        |
|----|-------------------|------------------------|-----------------------|
| M  | motor             | Motor                  | moteur                |
| S  | switch            | Schalter               | interrupteur          |
| C  | Condenser         | Kondensator            | Condensateur          |
| OL | Overload cut-off  | Überlastschuttschalter | Déclencheur surcharge |